



GEZE TS 2000  
OVERHEAD DOOR CLOSERS WITH LINK ARM

## GEZE TS 2000 V

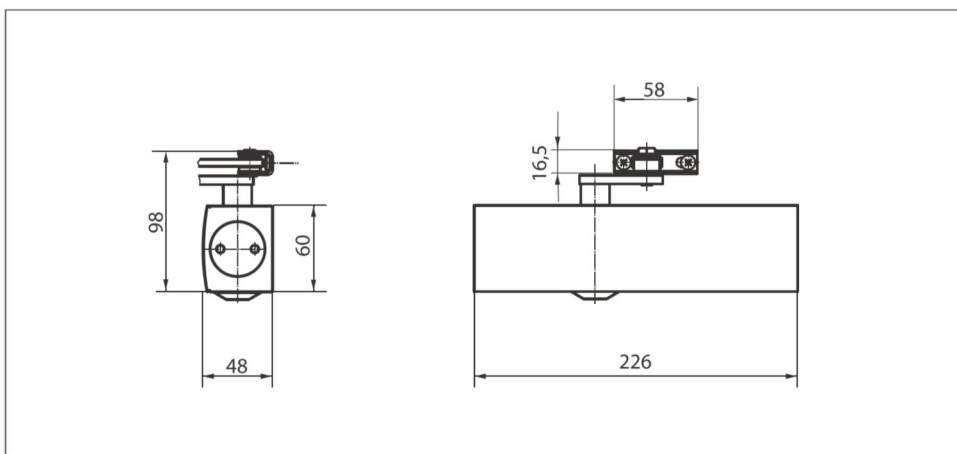
### Link arm door closer for single-leaf doors with a leaf width up to 1250 mm

TS 2000 V overhead door closer is suitable for single-leaf doors with a leaf width up to 1250 mm. The closing force is variable in accordance with DIN EN 1154, size 2/4/5 (closing force is varied by changing the mounting position, but same size of closer is used in all cases). The closing speed can be conveniently adjusted from the front and the latching action is adjusted by means of the link arm. The door closer is available with an optional mounting plate. This makes it suitable for left and right single-action doors without the need for conversion.

#### Special versions:

- GEZE TS 2000 V BC  
With hydraulic latching action that can be adjusted from the front and fixed back check setting
- GEZE TS 2000 V with hold-open linkage  
With adjustable hold-open angle of between 70° and 150°

## GEZE TS 2000 V



#### Application range

- For single-action doors, leaf width up to 1250 mm
- Compatible with left-hand and right-hand doors without the need for conversion
- Standard mounting on door leaf, hinge side; transom mounting on opposite hinge side also possible
- Can be installed on door leaf on opposite hinge side with parallel arm mounting

## GEZE SYSTEM TS 2000

## Closer specifications

Product features	GEZE TS 2000 V closer	GEZE TS 2000 VBC closer
Closing force to EN 1154		2/4/5
Leaf width recommended up to		1250 mm
Identical version DIN-L and DIN-R	●	●
Product tested in acc. with	Door closer tested in acc. with EN 1154	
Length		226 mm
Installation depth		48 mm
Height		60 mm

## Functions

Adjustable closing force	Yes, via mounting	
Adjustable closing speed	●	●
Adjustable latching action	● Via link arm	● Via valve
Integrated back check	○	● Hydraulic, fixed
Closing force adjustment position	Mounting position	
Thermo-constant valves	●	●

● = yes

○ = no