



GEZE PERLAN 140 / PERLAN 140 SOFTSTOP
MULTI-FACETED USES

GEZE Perlan 140

Multi-faceted uses with individual accessories

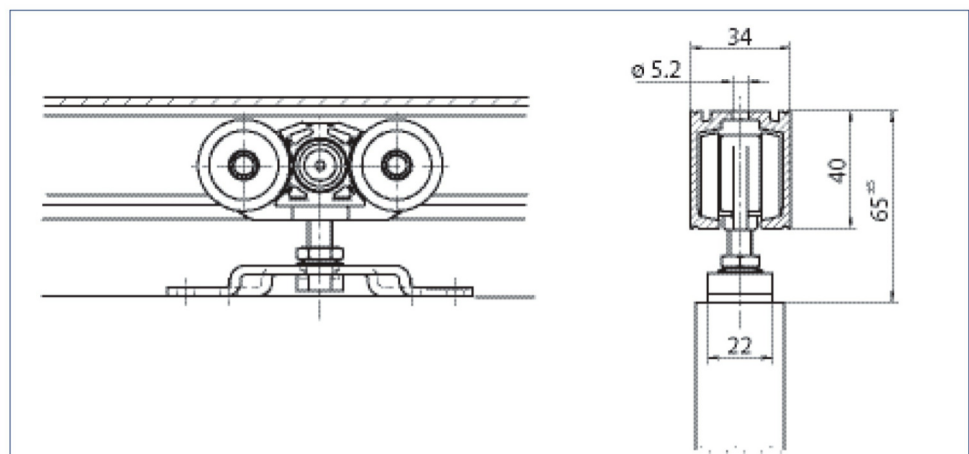
The discrete design supports every required room effect and makes the sliding door system with its accessories a guarantee for elegant and individual solutions. Even opening heavy doors is child's play. The Perlan 140 offers permanent quiet smooth through two precision ball bearings per roller carriage, track design and large-dimensioned carrier rollers. The inner, sealed ball bearings provide corrosion protection for the slightly damp interior rooms and are therefore also suitable, for example, for bathroom doors. The running track made of anodised lightweight metal alloy reduces attrition and also provides increased corrosion protection. The profile has no interfering edges, and all accessory parts run in the rail. The Perlan 140 is therefore ideally suited for mounting in the visible area. The distance between the leaf and the wall can be adjusted using the wall attachment bracket, in this way the door can be set to the individual situation, e.g. for precise mounting of the running rail if there is any unevenness in the masonry.

There are a large number of complete sets for all kinds of different applications. These always contain all the parts required to install the sliding door: Running track available in different lengths and with suitable fixing bracket, e.g. for wall fixing, roller carriages, carrier plates, tube buffer and floor guide. Alternatively, the track (6 m long or bespoke length) and the accessories can be ordered separately. On request the running rail is also available curved.

GEZE Perlan 140



GEZE Perlan 140



Application range

- For wood, plastic, glass and metal leaves up to 140 kg leaf weight
- Diverse additional parts are available for glass doors, e.g. glass connection patch, fixed panel holders or GGS holders
- For all single, multi-leaf and synchronous sliding doors
- Simple, direct ceiling mounting or fixing onto the wall and ceiling using an angle bracket
- The smooth running and use of high-quality materials as well as the quality workmanship make it especially suitable for doors in highly frequented residential and office areas

Technical data

Product features	GEZE Perlan 140
Door material	Wood, Plastic, Metal, Glass
Leaf weight (max.)	140 kg
Corrosion protection class	2
Type of installation	Wall installation , Ceiling installation
Telescope	•
Automated	•
Fixed panel	•
Draw-in damping	• max. 40 kg

- = YES
- = NOT AVAILABLE

Classification to EN 1527:1998

GEZE Perlan 140								
Category of use	Durability	Door weight	Fire resistance	Safety	Corrosion resistance	Security	Category of door	Initial friction
-	6	3	0	-	2	-	1	3

A DESCRIPTION OF THE CLASSES IS GIVEN AT THE END OF THE CATALOGUE.

Standard width in mm

Leaf width (FB)	Running track length (L)	Hole spacing (t)	Number of wall and ceiling brackets (x)	Distance from end of running track to centre of hole of fixing bracket (y)
500 - 840	1650	350	5	125
500 - 1040	2050	350	6	150
500 - 1240	2450	350	7	175
500 - 1440	2850	350	9	25
500 - 1640	3250	350	10	50
Standard length	6000	350	18	25

GEZE Perlan 140 SoftStop

Gentle closing with protection against entrapment

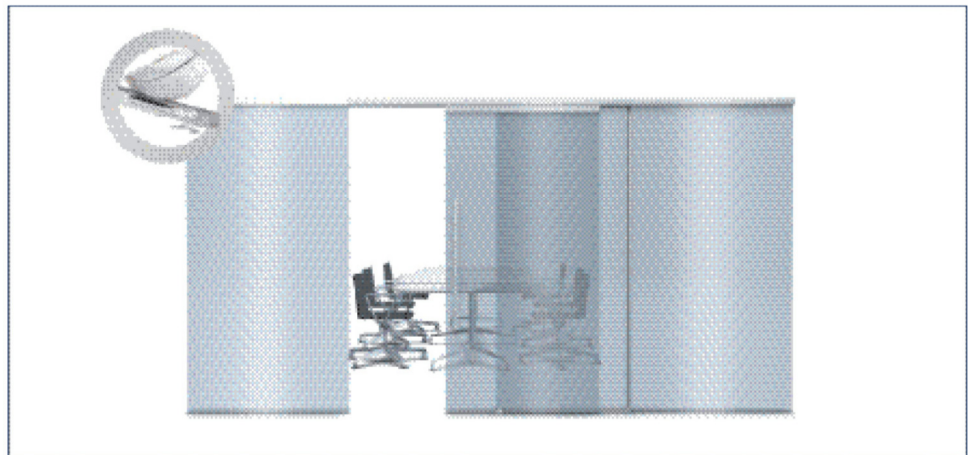
GEZE sliding door systems with Perlan 140 SoftStop draw-in damping perfectly combine comfort, convenience and safety for sliding doors. Uncontrolled stopping at the frame or the buffer is now a thing of the past. The door is braked gently and automatically returns to the zero position. The gentle draw-in to the end position is easy on the door and the fitting and increases the door's life. With a total height of only 40 mm, Perlan 140 SoftStop is completely concealed in the track. The draw-in damping also acts as entrapment protection, as the door's movement is braked over the last centimetres of closing. GEZE Perlan 140 SoftStop is available as a standard for leaf widths between 515-1700 mm and leaf weights up to 80 kg.

The set contains a Perlan 140 SoftStop roller carriage for one or two-sided damping. The standard set also includes 1 or 2 carrier hooks including fixing screws, 2 x track buffers, 2 x suspension bolts as well as 2 x carrier plates.

GEZE Perlan 140 SoftStop



GEZE Perlan 140 SoftStop



Application range

- For wood, plastic, glass and metal leaves up to 80 kg leaf weight
- A glass connection patch is available for glass leaves
- For all single and multi-leaf sliding doors
- Particularly suitable for doors in the home and office

Technical data

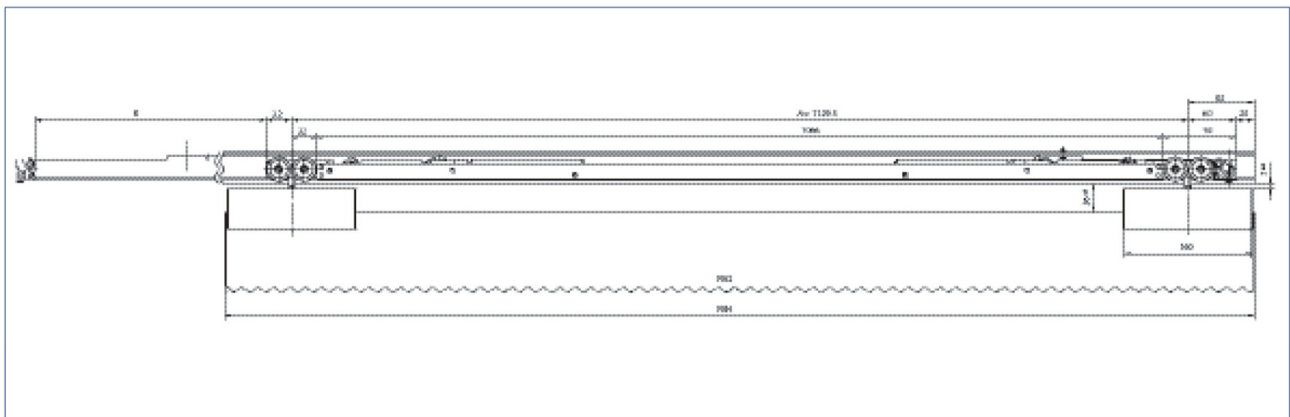
Product features	GEZE Perlan 140 SoftStop
Door material	Wood, Plastic, Metal, Glass
Leaf weight (max.)	80 kg
Corrosion protection class	2
Telescope	-
Automated	-
Fixed panel	●
Draw-in damping	●

● = YES
- = NOT AVAILABLE

SoftStop draw-in damping

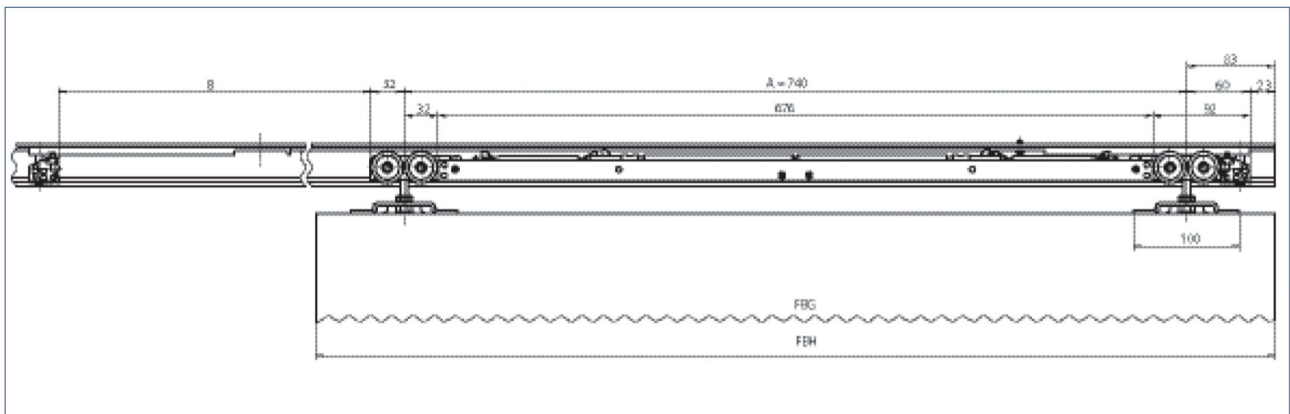
Drawing No. 10421-ep36

Mounting with glass leaf, 2-sided, long, damping in both directions



FBG= Glass leaf width
FBH= Wood leaf width
A = Suspension bolt spacing

Mounting with wooden leaf, two-sided, medium, damping in both directions



FBG= Glass leaf width
FBH= Wood leaf width
A = Suspension bolt spacing