



INSTALLATION OPTIONS FOR OVERHEAD DOOR CLOSERS SUMMARY OF APPLICATION POSSIBILITIES

GEZE INSTALLATION OPTIONS

TABLE OF CONTENTS

Recommended settings for GEZE door closers	4
Installation on opposite hinge side	6
GEZE TS 1500	
Door leaf installation hinge side	7
Transom installation opposite hinge side	8
GEZE TS 1500 G	
Door leaf installation hinge side	9
Transom installation hinge side	10
GEZE TS 2000 V / V BC	
Door leaf installation hinge side	11
Door leaf installation opposite hinge side with PA bracket for parallel arm installation	12
Door leaf installation hinge side with mounting plate for segmental arch door	13
Door leaf installation hinge side with clamping shoe for all-glass door	14
Door leaf installation hinge side with mounting plate for link arms on slim frames	15
Transom installation opposite hinge side	16
Transom installation opposite hinge side with lintel casing bracket	17
GEZE TS 2000 NV / NV BC	
Door leaf installation hinge side	18
Door leaf installation opposite hinge side with PA bracket for parallel arm installation	19
Door leaf installation hinge side with mounting plate for segmental arch door	20
Door leaf installation hinge side with clamping shoe for all-glass door	21
Door leaf installation hinge side with mounting plate for link arms on slim frames	22
Transom installation opposite hinge side	23
Transom installation opposite hinge side with lintel casing bracket	24
GEZE TS 3000 V / V BC / EN3	
Door leaf installation hinge side	25
Door leaf installation opposite hinge side	26
Door leaf installation hinge side with mounting and counterplate for all-glass door	27
Door leaf installation hinge side with clamping shoe for all-glass door	28
Transom installation hinge side	29
Transom installation opposite hinge side	30
Transom installation opposite hinge side with lintel casing bracket	31
GEZE TS 4000 / S / E / EFS	
Door leaf installation hinge side	32
Door leaf installation hinge side with mounting plate for link arms on slim frames	33
GEZE TS 4000 / S / E / EFS / R / RFS	
Transom installation opposite hinge side	34
GEZE TS 4000 / S	
Door leaf installation opposite hinge side with PA bracket for parallel arm installation	35

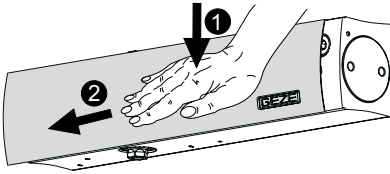
TABLE OF CONTENTS

GEZE TS 4000 / S	
Door leaf installation hinge side with mounting plate for segmental arch door	36
Door leaf installation hinge side with mounting and counterplate for all-glass door	37
Door leaf installation hinge side with clamping shoe for all-glass door	38
Transom installation opposite hinge side with lintel casing bracket	39
GEZE TS 4000 IS / E-IS	
Door leaf installation hinge side, double-leaf	40
GEZE TS 4000 IS / E-IS / R-IS	
Transom installation opposite hinge side, double-leaf	41
GEZE TS 5000 / S / E / R / EFS / RFS	
Door leaf installation hinge side	42
GEZE TS 5000 EFS / RFS	
Transom installation hinge side	43
GEZE TS 5000 / S	
Transom installation opposite hinge side	44
Transom installation opposite hinge side with lintel casing bracket	45
GEZE TS 5000 / S / E	
Door leaf installation hinge side with mounting and counterplate for all-glass door	46
Door leaf installation hinge side with clamping shoe for all-glass door	47
GEZE TS 5000 ISM / E-ISM / R-ISM / ISM-EFS / R-ISM-EFS	
Door leaf installation hinge side, double-leaf	48
GEZE TS 5000 L	
Transom installation hinge side	49
GEZE TS 5000 L / L-E / L-R	
Door leaf installation opposite hinge side	50
Door leaf installation opposite hinge side with lintel casing bracket	51
GEZE TS 5000 L-ISM / L-E-ISM / L-R-ISM / L-ISM-VPK / L-E-ISM-VP / L-R-ISM-VP	
Door leaf installation opposite hinge side, double-leaf	52
GEZE T-Stop guide rail with pivot bearing	
Door leaf installation hinge side	53
Door leaf installation opposite hinge side	54
Transom installation hinge side	55

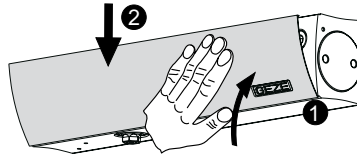
GEZE INSTALLATION OPTIONS

RECOMMENDED SETTINGS FOR GEZE DOOR CLOSERS

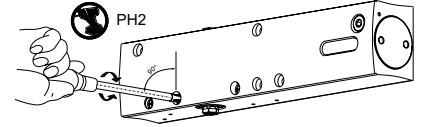
► Remove slide plate



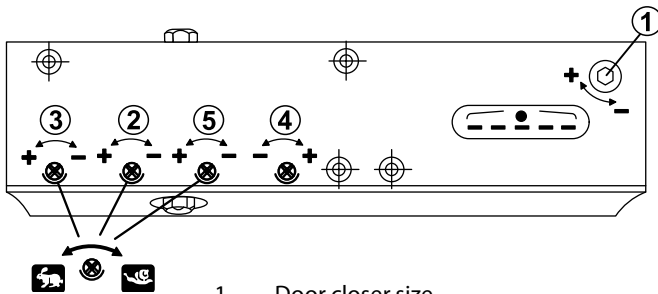
► Clip slide plate open



► Set

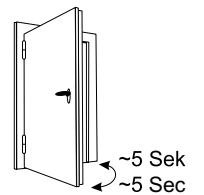


GEZE TS 5000



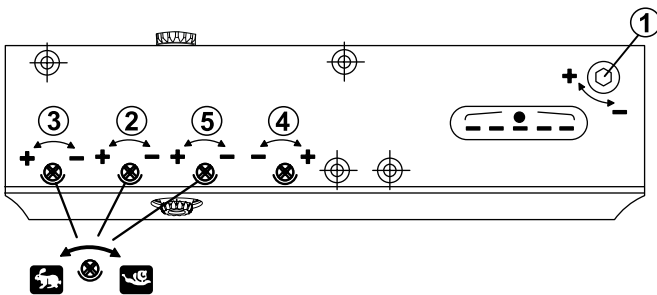
- 1 Door closer size
- 2 Closing speed
- 3 Latching action
- 4 Back check
- 5 Delayed closing action (only with TS 5000 S)

Display Door closer size	Leaf width [mm]
2	up to 850
3	850 - 950
4	950 - 1100
5	1100 - 1250
6	1250 - 1400



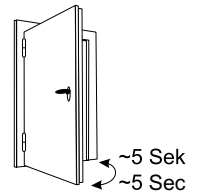
Light-running door must be closed completely by the closer!

GEZE TS 4000



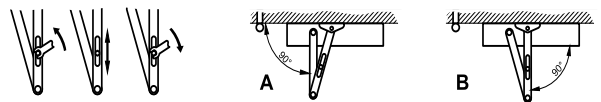
- 1 Door closer size
- 2 Closing speed
- 3 Latching action (only with TS 4000 S)
- 4 Back check
- 5 Delayed closing action (only with TS 4000 S)

Display Door closer size	Leaf width [mm]
1	up to 750
2	750 - 850
3	850 - 950
4	950 - 1100
5	1100 - 1250
6	1250 - 1400



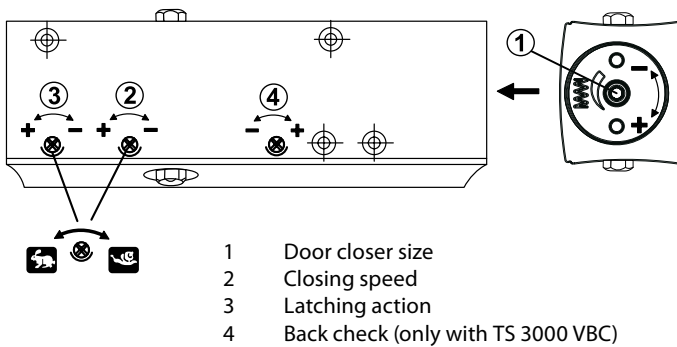
Light-running door must be closed completely by the closer!

Setting latching action	with latching action	without latching action
-------------------------	----------------------	-------------------------

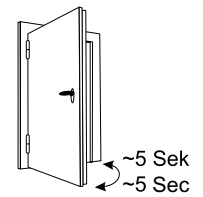


GEZE INSTALLATION OPTIONS

GEZE TS 3000 V

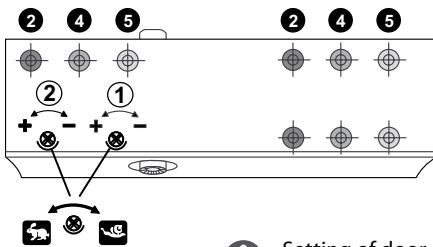


Setting	Leaf width [mm]
Door closer size	
Buffer -	up to 750
2.5 revolutions	750 - 850
5 revolutions	850 - 950
Buffer +	950 - 1100



Light-running door must be closed completely by the closer!

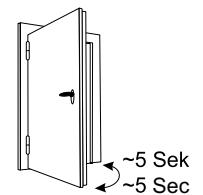
GEZE TS 2000 V



! Setting of door closer size through offset installation

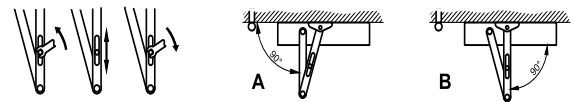
- 1 Closing speed
- 2 Back check (only with TS 2000 VBC otherwise using link arms)

Setting	Leaf width [mm]
Door closer size	
2 Size 2	750 - 850
4 Size 4	850 - 1100
5 Size 5	1100 - 1250

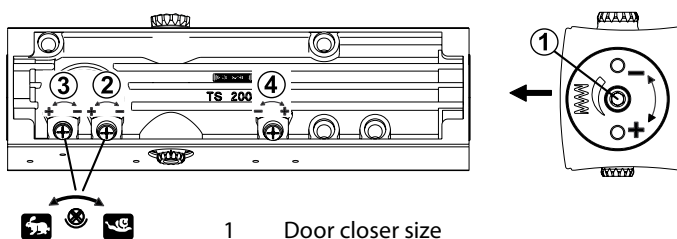


Light-running door must be closed completely by the closer!

Setting	with latching action	without latching action
---------	----------------------	-------------------------

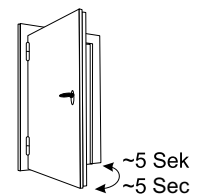


GEZE TS 2000 NV



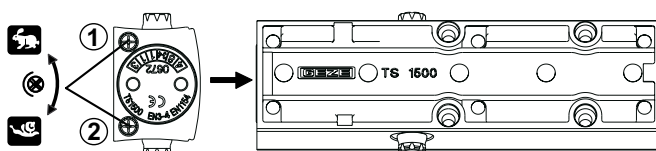
- 1 Door closer size
- 2 Closing speed
- 3 Latching action
- 4 Back check (only with TS 2000 NV BC)

Setting	Leaf width [mm]
Door closer size	
Buffer -	up to 850
4 revolutions	850 - 950
Buffer +	up to 1100



Light-running door must be closed completely by the closer!

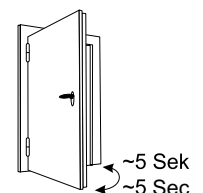
GEZE TS 1500



! Setting of door closer size by turning the top of the link arm

- 1 Closing speed
- 2 Latching action

Setting	Leaf width [mm]
Door closer size	
A	850 - 950
B	950 - 1100



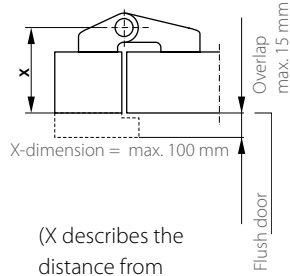
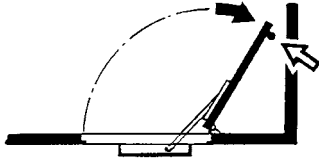
Light-running door must be closed completely by the closer!

GEZE INSTALLATION OPTIONS

INSTALLATION ON OPPOSITE HINGE SIDE

Guide rail door closer TS 3000/5000

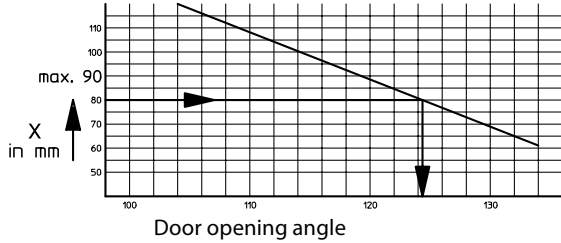
Note!



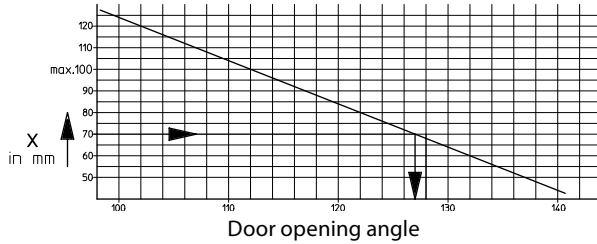
Limit maximum door opening angle by a door stopper or by the use of the GEZE T-Stop guide rail.
(For usage limits of T-Stop guide rail see overall brochure TS 3000/5000.)

(X describes the distance from pivot point to contact area of guide rail)

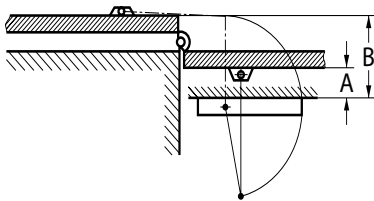
Single-leaf systems



Double-leaf systems



Link arm door closer TS 2000/4000



Dimension A = Soffit depth
Dimension B = Soffit depth + 2 door thickness
+ 2 pivot point distance

The door can only be opened up to 180° if
Dimension A = 70 mm and
Dimension B = 200 mm
are not exceeded

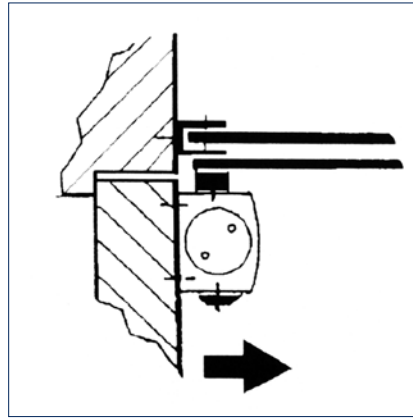
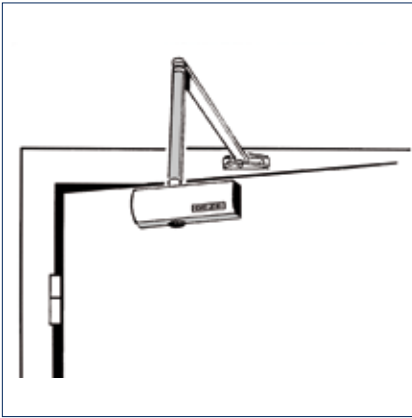


Textile and Industry Museum, Augsburg

GEZE TS 1500

Door leaf installation hinge side

TS 1500 Door leaf installation/hinge side

**Application range**

- Closing force 3/4 according to EN 1154, leaf width up to 1100 mm
- Can be used for doors mounted on the right or left without conversion

Order information

Description	Version	ID.No.
GEZE TS 1500 Closer Size EN 3/4 (without link arms)	silver-coloured	101792
Link arms TS 1500/1000C Standard	silver-coloured	101878
Link arms TS 1500/1000C with mechanical hold-open	silver-coloured	101815
Accessories		
Mounting plate door closer for TS 1500	silver-coloured	029682

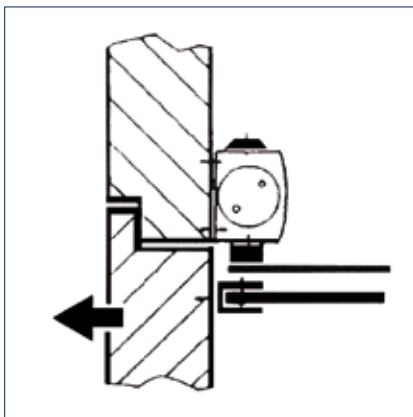
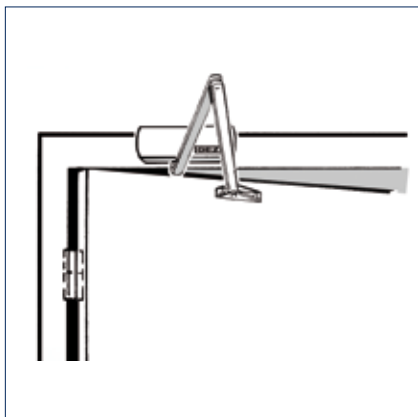
Note: See our system catalogues for further accessories and colour variants.

GEZE INSTALLATION OPTIONS

GEZE TS 1500

Transom installation opposite hinge side

TS 1500 Transom installation/opposite hinge side



Application range

- Closing force 3/4 according to EN 1154, leaf width up to 1100 mm
- Can be used for doors mounted on the right or left without conversion

Order information

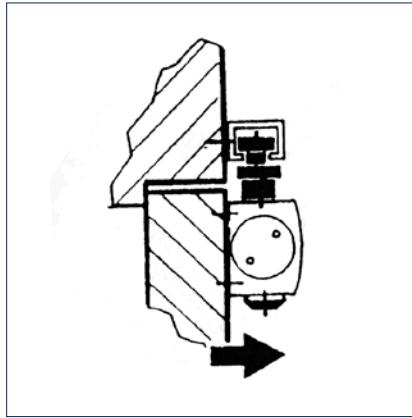
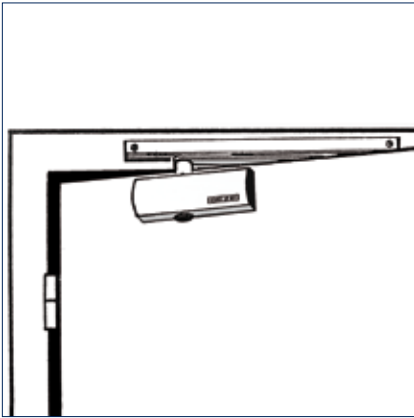
Description	Version	ID.No.
GEZE TS 1500 Closer Size EN 3/4 (without link arms)	silver-coloured	101792
Link arms TS 1500/1000C Standard	silver-coloured	101878
Link arms TS 1500/1000C with mechanical hold-open	silver-coloured	101815
Accessories		
Mounting plate door closer for TS 1500	silver-coloured	029682

Note: See our system catalogues for further accessories and colour variants.

GEZE TS 1500 G

Door leaf installation hinge side

TS 1500 G Door leaf installation/hinge side

**Application range**

- Closing force 1 according to EN 1154, leaf width up to 750 mm
- Can be used for doors mounted on the right or left without conversion

Order information

Description	Version	ID.No.
GEZE TS 1500 G Closer Size EN 1 (without guide rail and lever)	silver-coloured	101792
Guide rail TS 1500 G with lever	silver-coloured	101885
Guide rail TS 1500 G/F with mechanical hold-open and lever	silver-coloured	101889
Accessories		
Mechanical hold-open unit for Standard / T-Stop / Boxer 20.7 mm guide rail, adjustable holding force, can be switched on and off, can be overridden		071924
Guide rail mounting plate for TS 1500 G	silver-coloured	072333
Mounting plate door closer for TS 1500	silver-coloured	029682

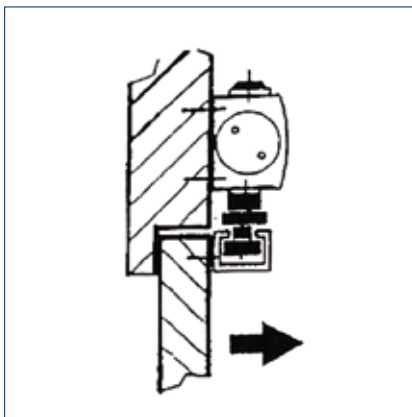
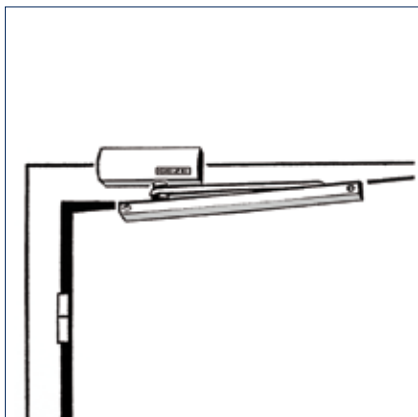
Note: See our system catalogues for further accessories and colour variants.

GEZE INSTALLATION OPTIONS

GEZE TS 1500 G

Transom installation hinge side

TS 1500 G Transom installation/hinge side



Application range

- Closing force 1 according to EN 1154, leaf width up to 750 mm
- Can be used for doors mounted on the right or left without conversion

Order information

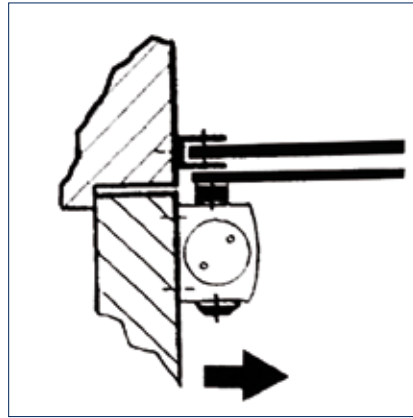
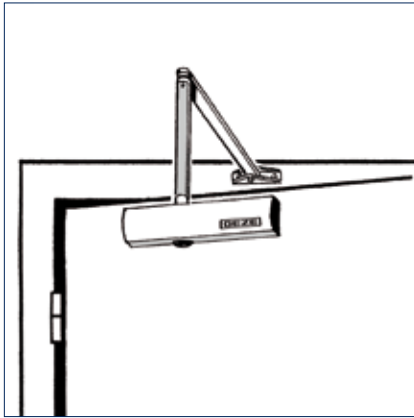
Description	Version	ID.No.
GEZE TS 1500 G Closer Size EN 1 (without guide rail and lever)	silver-coloured	101792
Guide rail TS 1500 G with lever	silver-coloured	101885
Guide rail TS 1500 G/F with mechanical hold-open and lever	silver-coloured	101889
Accessories		
Mechanical hold-open unit for Standard / T-Stop / Boxer 20.7 mm guide rail, adjustable holding force, can be switched on and off, can be overridden		071924
Guide rail mounting plate for TS 1500 G	silver-coloured	072333
Mounting plate door closer for TS 1500	silver-coloured	029682

Note: See our system catalogues for further accessories and colour variants.

GEZE TS 2000 V / V BC

Door leaf installation hinge side

TS 2000 V Door leaf installation/hinge side

**Application range**

- Closing force 2/4/5 according to EN 1154, leaf width up to 1250 mm
- Can be used for doors mounted on the right or left without conversion

Order information

Description	Version	ID.No.
GEZE TS 2000 VBC Closer Size EN 2/4/5 with back check (without link arms)	silver-coloured	103392
GEZE TS 2000 V Closer Size EN 2/4/5 (without link arms)	silver-coloured	103386
Link arms TS 4000/2000 Standard	silver-coloured	102421
Link arms TS 4000/2000 with mechanical hold-open for optional use	silver-coloured	102445
Link arms TS 4000/2000 with mechanical hold-open	silver-coloured	102454
Accessories		
Mounting plate door closer for TS 2000 V		055756

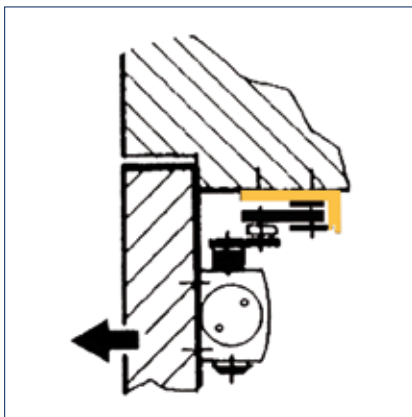
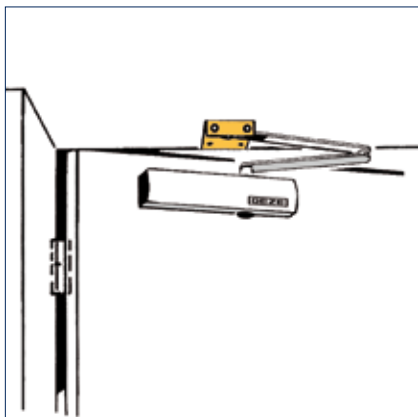
Note: See our system catalogues for further accessories and colour variants.

GEZE INSTALLATION OPTIONS

GEZE TS 2000 V / V BC

Door leaf installation opposite hinge side with PA bracket for parallel arm installation

TS 2000 V Door leaf installation/opposite hinge side parallel arm installation



Application range

- Closing force 2/4/5 according to EN 1154, leaf width up to 1250 mm
- Can be used for doors mounted on the right or left without conversion
- Note for emergency exit routes, restriction of passage height by approx. 30 mm

Order information

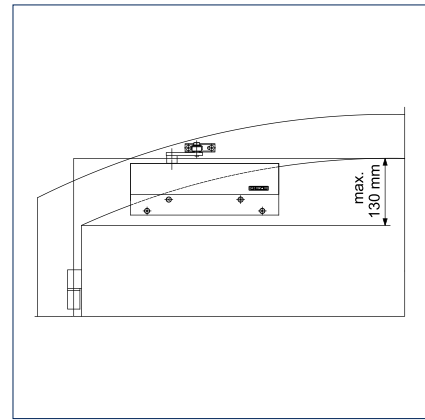
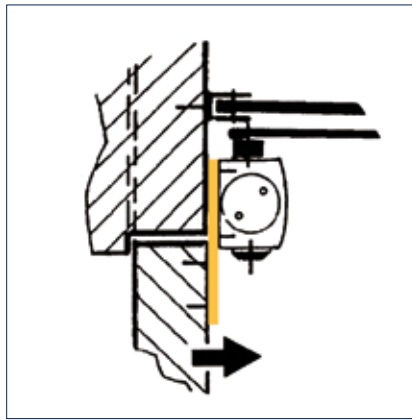
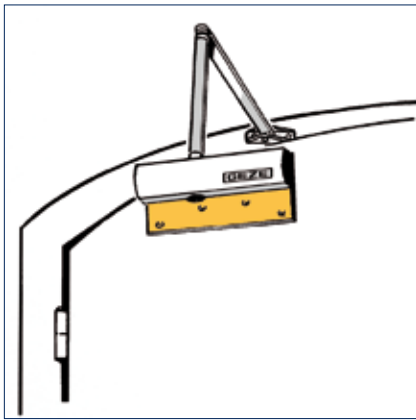
Description	Version	ID.No.
GEZE TS 2000 VBC Closer Size EN 2/4/5 with back check (without link arms)	silver-coloured	103392
GEZE TS 2000 V Closer Size EN 2/4/5 (without link arms)	silver-coloured	103386
Link arms TS 4000/2000 Standard	silver-coloured	102421
Link arms TS 4000/2000 with mechanical hold-open for optional use	silver-coloured	102445
Link arms TS 4000/2000 with mechanical hold-open	silver-coloured	102454
Accessories		
Mounting plate link arms for TS 4000/TS 2000, for parallel arm installation	silver-coloured	053318
Mounting plate door closer for TS 2000 V		055756

Note: See our system catalogues for further accessories and colour variants.

GEZE TS 2000 V / V BC

Door leaf installation hinge side with mounting plate for segmental arch door

TS 2000 Door leaf installation/hinge side segmental arch

**Application range**

- Closing force 2/4/5 according to EN 1154, leaf width up to 1250 mm
- Can be used for doors mounted on the right or left without conversion
- Semi/segmental arch doors, max. arch height approx. 130 mm

Order information

Description	Version	ID.No.
GEZE TS 2000 VBC Closer Size EN 2/4/5 with back check (without link arms)	silver-coloured	103392
GEZE TS 2000 V Closer Size EN 2/4/5 (without link arms)	silver-coloured	103386
Link arms TS 4000/2000 Standard	silver-coloured	102421
Link arms TS 4000/2000 with mechanical hold-open for optional use	silver-coloured	102445
Link arms TS 4000/2000 with mechanical hold-open	silver-coloured	102454
Accessories		
Mounting plate segmental arch door for TS 2000 V, arch height max. 130mm	silver-coloured	059044

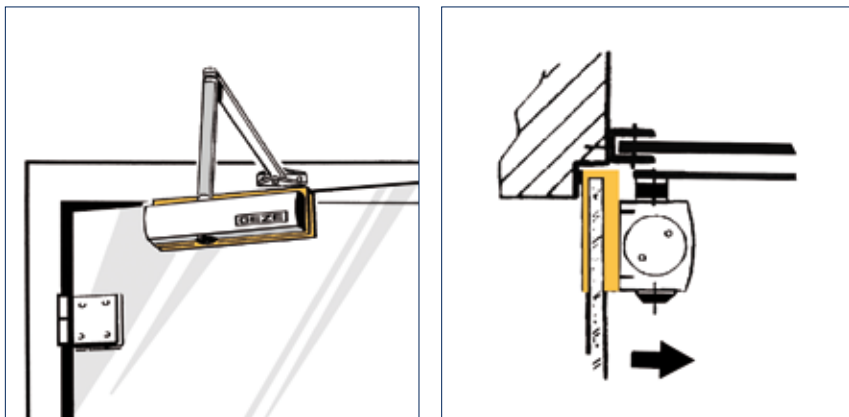
Note: See our system catalogues for further accessories and colour variants.

GEZE INSTALLATION OPTIONS

GEZE TS 2000 V / V BC

Door leaf installation hinge side with clamping shoe for all-glass door

TS 2000 V Door leaf installation/hinge side clamping shoe glass



Application range

- Closing force 2/4/5 according to EN 1154, leaf width up to 1250 mm
- Can be used for doors mounted on the right or left without conversion
- Clamping shoe, glass thickness 8-10 mm

Order information

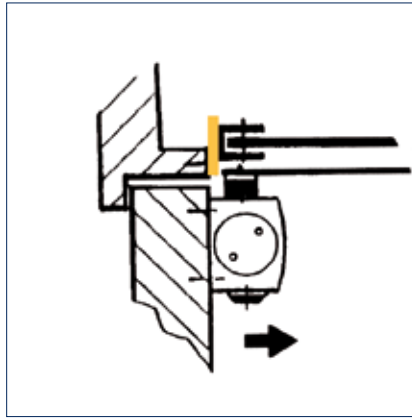
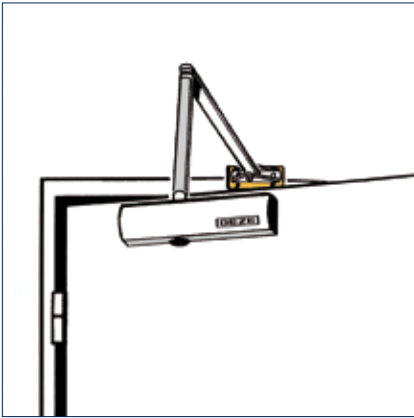
Description	Version	ID.No.
GEZE TS 2000 VBC Closer Size EN 2/4/5 with back check (without link arms)	silver-coloured	103392
GEZE TS 2000 V Closer Size EN 2/4/5 (without link arms)	silver-coloured	103386
Link arms TS 4000/2000 Standard	silver-coloured	102421
Link arms TS 4000/2000 with mechanical hold-open for optional use	silver-coloured	102445
Link arms TS 4000/2000 with mechanical hold-open	silver-coloured	102454
Accessories		
Glass clamping shoe door closer for TS 2000 V	silver-coloured	055773

Note: See our system catalogues for further accessories and colour variants.

GEZE TS 2000 V / V BC

Door leaf installation hinge side with mounting plate for link arms on slim frames

TS 2000 V Door leaf installation/hinge side MP slim frame

**Application range**

- Closing force 2/4/5 according to EN 1154, leaf width up to 1250 mm
- Can be used for doors mounted on the right or left without conversion

Order information

Description	Version	ID.No.
GEZE TS 2000 VBC Closer Size EN 2/4/5 with back check (without link arms)	silver-coloured	103392
GEZE TS 2000 V Closer Size EN 2/4/5 (without link arms)	silver-coloured	103386
Link arms TS 4000/2000 Standard	silver-coloured	102421
Link arms TS 4000/2000 with mechanical hold-open for optional use	silver-coloured	102445
Link arms TS 4000/2000 with mechanical hold-open	silver-coloured	102454
Accessories		
Mounting plate link arms for TS 4000/TS 2000, with slim frames	silver-coloured	057109
Mounting plate door closer for TS 2000 V		055756

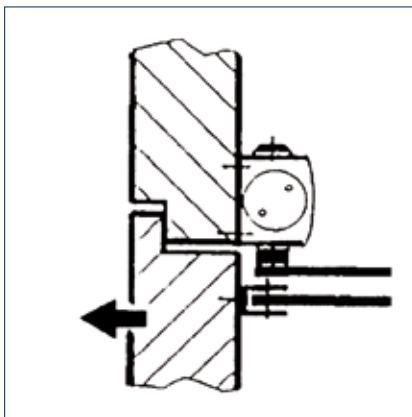
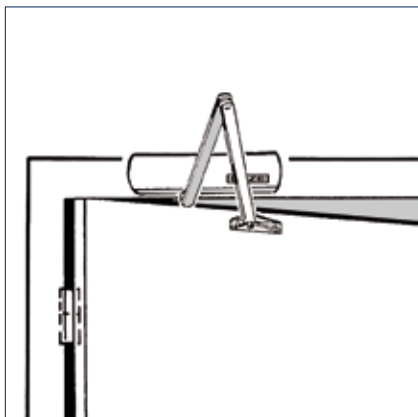
Note: See our system catalogues for further accessories and colour variants.

GEZE INSTALLATION OPTIONS

GEZE TS 2000 V / V BC

Transom installation opposite hinge side

TS 2000 V Transom installation/opposite hinge side



Application range

- Closing force 2/4/5 according to EN 1154, leaf width up to 1250 mm
- Can be used for doors mounted on the right or left without conversion

Order information

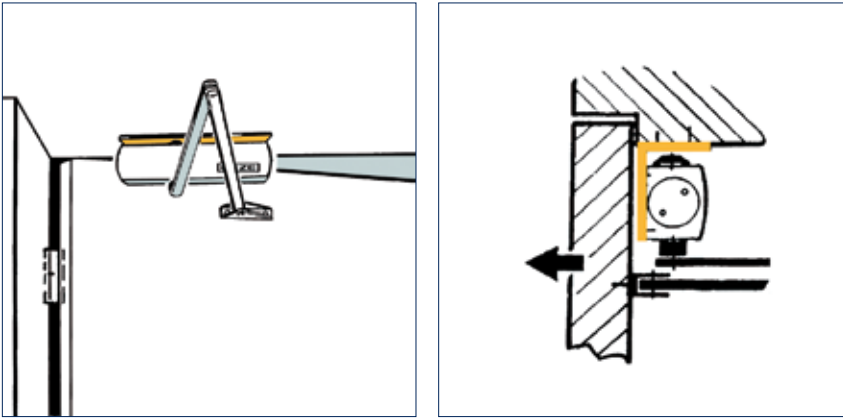
Description	Version	ID.No.
GEZE TS 2000 VBC Closer Size EN 2/4/5 with back check (without link arms)	silver-coloured	103392
GEZE TS 2000 V Closer Size EN 2/4/5 (without link arms)	silver-coloured	103386
Link arms TS 4000/2000 Standard	silver-coloured	102421
Link arms TS 4000/2000 with mechanical hold-open for optional use	silver-coloured	102445
Link arms TS 4000/2000 with mechanical hold-open	silver-coloured	102454
Accessories		
Mounting plate door closer for TS 2000 V		055756

Note: See our system catalogues for further accessories and colour variants.

GEZE TS 2000 V / V BC

Transom installation opposite hinge side with lintel casing bracket

TS 2000 Transom installation/opposite hinge side lintel casing bracket

**Application range**

- Closing force 2/4/5 according to EN 1154, leaf width up to 1250 mm
- Can be used for doors mounted on the right or left without conversion
- Note for emergency exit routes, restriction of passage height by approx. 100 mm

Order information

Description	Version	ID.No.
GEZE TS 2000 VBC Closer Size EN 2/4/5 with back check (without link arms)	silver-coloured	103392
GEZE TS 2000 V Closer Size EN 2/4/5 (without link arms)	silver-coloured	103386
Link arms TS 4000/2000 Standard	silver-coloured	102421
Link arms TS 4000/2000 with mechanical hold-open for optional use	silver-coloured	102445
Link arms TS 4000/2000 with mechanical hold-open	silver-coloured	102454
Accessories		
Lintel casing bracket transom installation BG for TS 2000 V	silver-coloured	055766

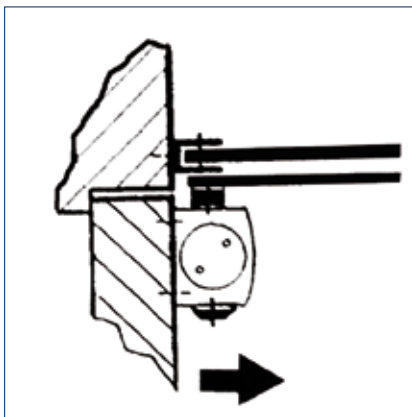
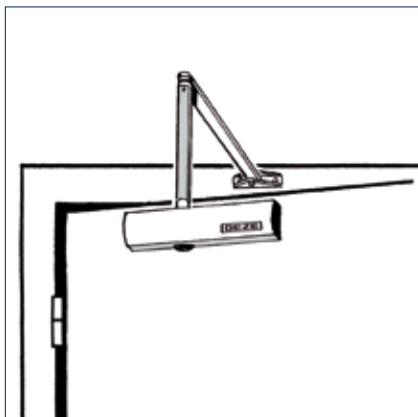
Note: See our system catalogues for further accessories and colour variants.

GEZE INSTALLATION OPTIONS

GEZE TS 2000 NV / NV BC

Door leaf installation hinge side

TS 2000 NV Door leaf installation/hinge side



Application range

- Closing force 2-4 according to EN 1154, leaf width up to 1100 mm
- Can be used for doors mounted on the right or left without conversion
- For fireproof doors (door closer with mounting plate)

Order information

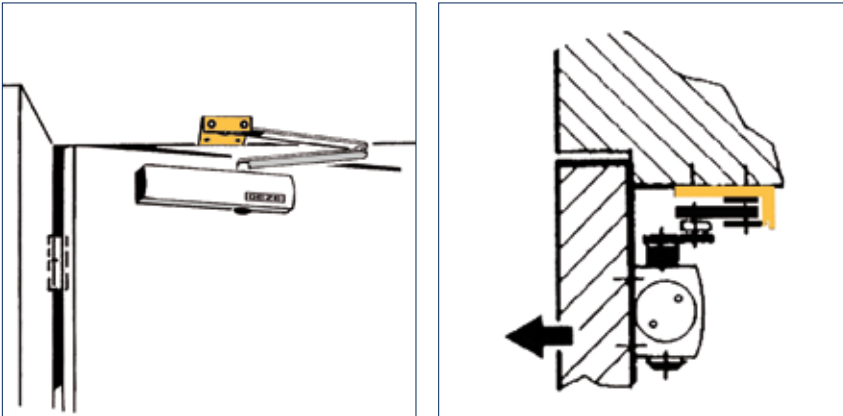
Description	Version	ID.No.
GEZE TS 2000 NV BC Closer Size EN 2-4 with back check (without link arms)	silver-coloured	124944
GEZE TS 2000 NV Closer Size EN 2-4 (without link arms)	silver-coloured	128885
Link arms TS 4000/2000 Standard	silver-coloured	102421
Link arms TS 4000/2000 with mechanical hold-open for optional use	silver-coloured	102445
Link arms TS 4000/2000 with mechanical hold-open	silver-coloured	102454
Accessories		
Mounting plate door closer for TS 2000 NV & NV BC with hole pattern according to DIN EN 1154 Supplement 1		126234

Note: See our system catalogues for further accessories and colour variants.

GEZE TS 2000 NV / NV BC

Door leaf installation opposite hinge side with PA bracket for parallel arm installation

TS 2000 NV Door leaf installation/opposite hinge side parallel arm installation

**Application range**

- Closing force 2-4 according to EN 1154, leaf width up to 1100 mm
- Can be used for doors mounted on the right or left without conversion
- Note for emergency exit routes, restriction of passage height by approx. 30 mm

Order information

Description	Version	ID.No.
GEZE TS 2000 NV BC Closer Size EN 2-4 with back check (without link arms)	silver-coloured	124944
GEZE TS 2000 NV Closer Size EN 2-4 (without link arms)	silver-coloured	128885
Link arms TS 4000/2000 Standard	silver-coloured	102421
Link arms TS 4000/2000 with mechanical hold-open for optional use	silver-coloured	102445
Link arms TS 4000/2000 with mechanical hold-open	silver-coloured	102454
Accessories		
Mounting plate link arms for TS 4000/TS 2000, for parallel arm installation	silver-coloured	053318
Mounting plate door closer for TS 2000 NV & NV BC with hole pattern according to DIN EN 1154 Supplement 1		126234

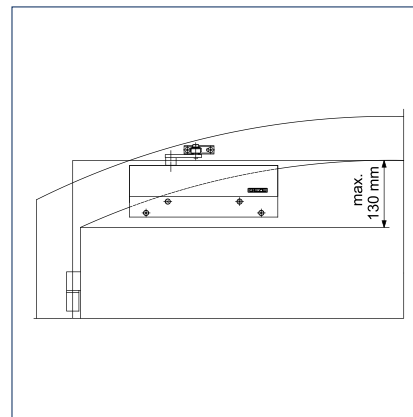
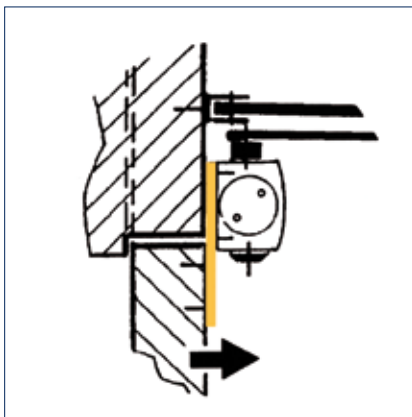
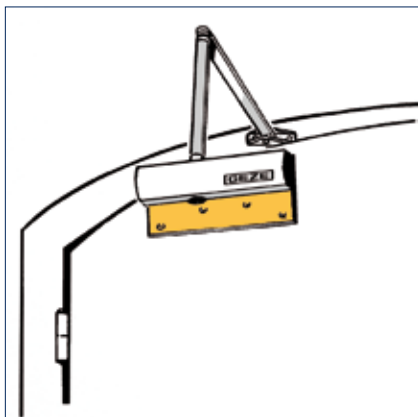
Note: See our system catalogues for further accessories and colour variants.

GEZE INSTALLATION OPTIONS

GEZE TS 2000 NV / NV BC

Door leaf installation hinge side with mounting plate for segmental arch door

TS 2000 NV Door leaf installation/hinge side segmental arch



Application range

- Closing force 2-4 according to EN 1154, leaf width up to 1100 mm
- Can be used for doors mounted on the right or left without conversion
- Semi/segmental arch doors, max. arch height approx. 130 mm

Order information

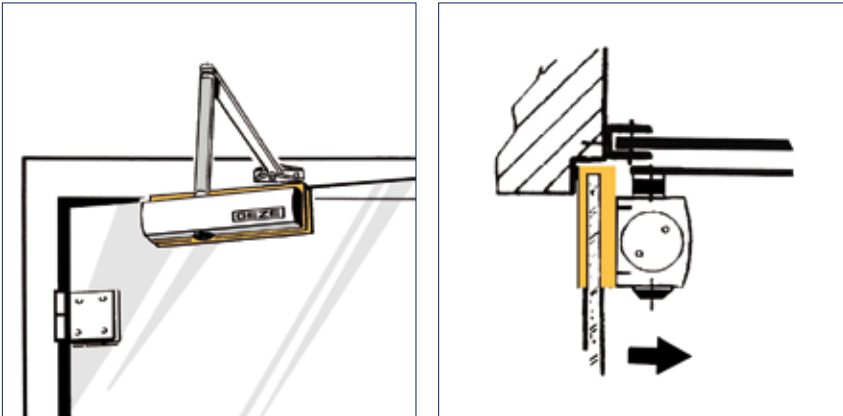
Description	Version	ID.No.
GEZE TS 2000 NV BC Closer Size EN 2-4 with back check (without link arms)	silver-coloured	124944
GEZE TS 2000 NV Closer Size EN 2-4 (without link arms)	silver-coloured	128885
Link arms TS 4000/2000 Standard	silver-coloured	102421
Link arms TS 4000/2000 with mechanical hold-open for optional use	silver-coloured	102445
Link arms TS 4000/2000 with mechanical hold-open	silver-coloured	102454
Accessories		
Mounting plate segmental arch door for TS 2000 NV, arch height max. 130 mm	silver-coloured	127434

Note: See our system catalogues for further accessories and colour variants.

GEZE TS 2000 NV / NV BC

Door leaf installation hinge side with clamping shoe for all-glass door

TS 2000 NV Door leaf installation/hinge side clamping shoe glass

**Application range**

- Closing force 2-4 according to EN 1154, leaf width up to 1100 mm
- Can be used for doors mounted on the right or left without conversion
- Clamping shoe, glass thickness 8-10 mm
- Variant mounting and counterplate also possible, glass thickness 10 / 12 mm

Order information

Description	Version	ID.No.
GEZE TS 2000 NV BC Closer Size EN 2-4 with back check (without link arms)	silver-coloured	124944
GEZE TS 2000 NV Closer Size EN 2-4 (without link arms)	silver-coloured	128885
Link arms TS 4000/2000 Standard	silver-coloured	102421
Link arms TS 4000/2000 with mechanical hold-open for optional use	silver-coloured	102445
Link arms TS 4000/2000 with mechanical hold-open	silver-coloured	102454
Accessories		
Glass clamping shoe door closer for TS 3000/TS 2000 NV	silver-coloured	014835
Mounting and counterplate for all-glass door for TS 3000/TS 2000 NV	silver-coloured	090259

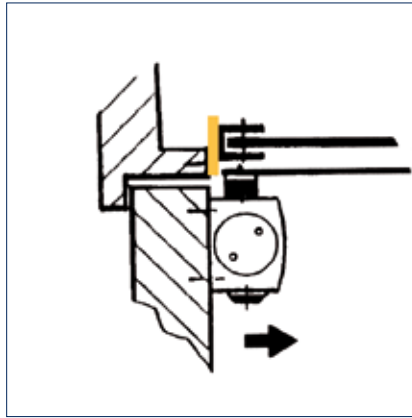
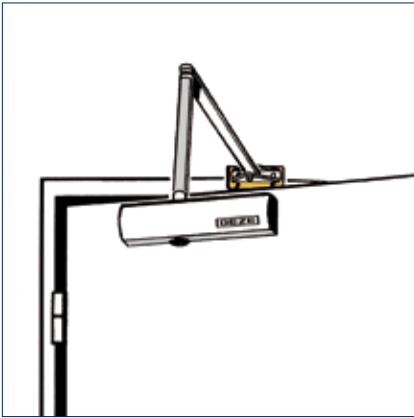
Note: See our system catalogues for further accessories and colour variants.

GEZE INSTALLATION OPTIONS

GEZE TS 2000 NV / NV BC

Door leaf installation hinge side with mounting plate for link arms on slim frames

TS 2000 NV Door leaf installation/hinge side MP slim frame



Application range

- Closing force 2-4 according to EN 1154, leaf width up to 1100 mm
- Can be used for doors mounted on the right or left without conversion
- For fireproof doors (door closer with mounting plate)

Order information

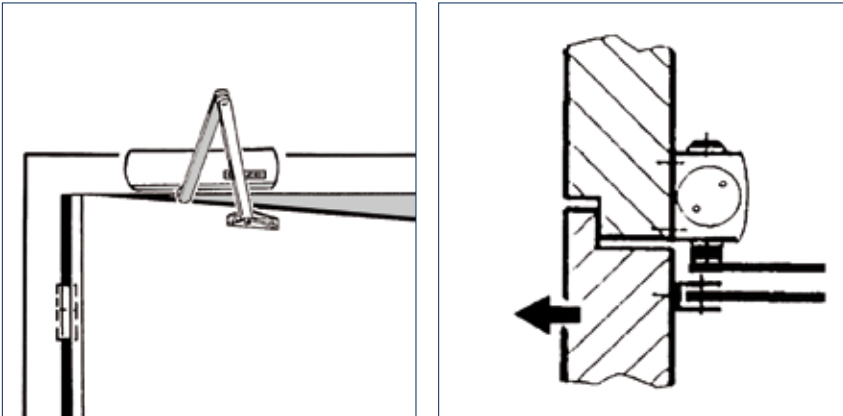
Description	Version	ID.No.
GEZE TS 2000 NV BC Closer Size EN 2-4 with back check (without link arms)	silver-coloured	124944
GEZE TS 2000 NV Closer Size EN 2-4 (without link arms)	silver-coloured	128885
Link arms TS 4000/2000 Standard	silver-coloured	102421
Link arms TS 4000/2000 with mechanical hold-open for optional use	silver-coloured	102445
Link arms TS 4000/2000 with mechanical hold-open	silver-coloured	102454
Accessories		
Mounting plate link arms for TS 4000/TS 2000, with slim frames	silver-coloured	057109
Mounting plate door closer for TS 2000 NV & NV BC with hole pattern according to DIN EN 1154 Supplement 1		126234

Note: See our system catalogues for further accessories and colour variants.

GEZE TS 2000 NV / NV BC

Transom installation opposite hinge side

TS 2000 NV Transom installation/opposite hinge side

**Application range**

- Closing force 2-4 according to EN 1154, leaf width up to 1100 mm
- Can be used for doors mounted on the right or left without conversion
- For fire protection doors with respective suitability certificate

Order information

Description	Version	ID.No.
GEZE TS 2000 NV BC Closer Size EN 2-4 with back check (without link arms)	silver-coloured	124944
GEZE TS 2000 NV Closer Size EN 2-4 (without link arms)	silver-coloured	128885
Link arms TS 4000/2000 Standard	silver-coloured	102421
Link arms TS 4000/2000 with mechanical hold-open for optional use	silver-coloured	102445
Link arms TS 4000/2000 with mechanical hold-open	silver-coloured	102454
Accessories		
Mounting plate door closer for TS 2000 NV & NV BC with hole pattern according to DIN EN 1154 Supplement 1		126234

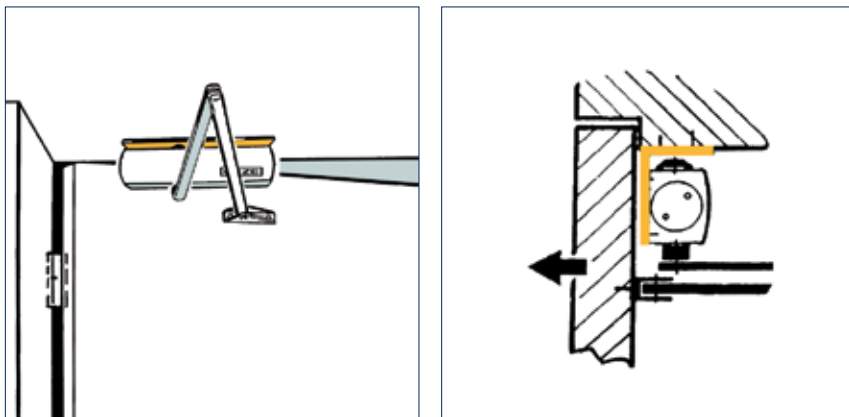
Note: See our system catalogues for further accessories and colour variants.

GEZE INSTALLATION OPTIONS

GEZE TS 2000 NV / NV BC

Transom installation opposite hinge side with lintel casing bracket

TS 2000 NV Transom installation/opposite hinge side lintel casing bracket



Application range

- Closing force 2-4 according to EN 1154, leaf width up to 1100 mm
- Can be used for doors mounted on the right or left without conversion
- Note for emergency exit routes, restriction of passage height by approx. 100 mm
- For fire protection doors with respective suitability certificate

Order information

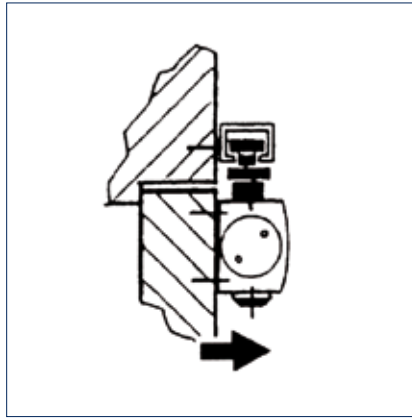
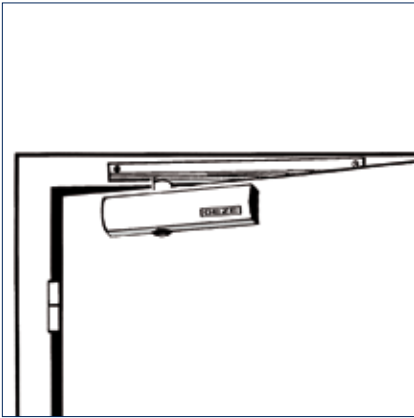
Description	Version	ID.No.
GEZE TS 2000 NV BC Closer Size EN 2-4 with back check (without link arms)	silver-coloured	124944
GEZE TS 2000 NV Closer Size EN 2-4 (without link arms)	silver-coloured	128885
Link arms TS 4000/2000 Standard	silver-coloured	102421
Link arms TS 4000/2000 with mechanical hold-open for optional use	silver-coloured	102445
Link arms TS 4000/2000 with mechanical hold-open	silver-coloured	102454
Accessories		
Lintel casing bracket transom installation BG for TS 2000 NV / TS 3000 V	silver-coloured	127432

Note: See our system catalogues for further accessories and colour variants.

GEZE TS 3000 V / V BC / EN3

Door leaf installation hinge side

TS 3000 V Door leaf installation/hinge side

**Application range**

- Closing force 1-4 according to EN 1154, leaf width up to 1100 mm
- Can be used for doors mounted on the right or left without conversion
- For fireproof doors (door closer with mounting plate)
- GEZE TS 3000 EN3 for leaf widths up to 950 mm

Order information

Description	Version	ID.No.
GEZE TS 3000 V Closer Size EN 1-4 (without guide rail and lever)	silver-coloured	028348
GEZE TS 3000 EN3 Closer Size EN 3 (without guide rail and lever)	silver-coloured	102247
GEZE TS 3000 V BC Closer Size EN 1-4, with back check (without guide rail and lever)	silver-coloured	109326
Guide rail TS 5000/TS 3000 Standard, with lever	silver-coloured	068221
Accessories		
Mechanical hold-open unit for Standard / T-Stop / Boxer 20.7 mm guide rail, adjustable holding force, can be switched on and off, can be overridden		071924
Guide rail mounting plate for standard / ECLine / T-Stop / EFS guide rail	silver-coloured	001512
Mounting plate door closer for TS 3000 with hole pattern according to DIN EN 1154 Supplement 1	silver-coloured	011230

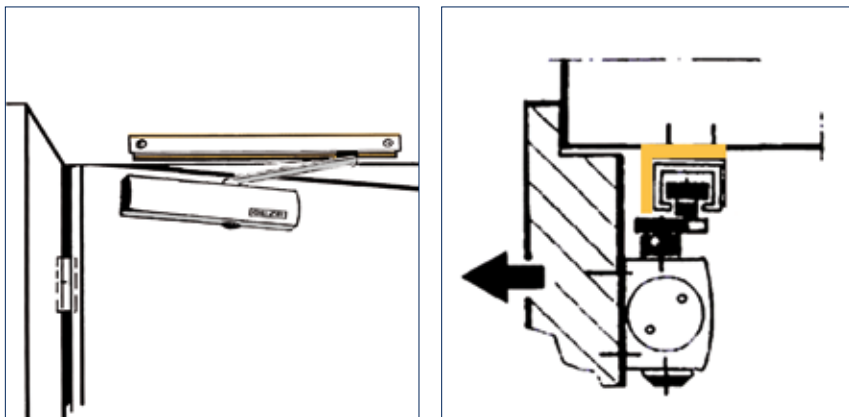
Note: See our system catalogues for further accessories and colour variants.

GEZE INSTALLATION OPTIONS

GEZE TS 3000 V / V BC / EN3

Door leaf installation opposite hinge side

TS 3000 V Door leaf installation/opposite hinge side



Application range

- Closing force 1-4 according to EN 1154, leaf width up to 1100 mm
- Can be used for doors mounted on the right or left without conversion
- For fireproof doors (door closer with mounting plate)
- GEZE TS 3000 EN3 for leaf widths up to 950 mm
- Installation with lintel casing bracket possible

Order information

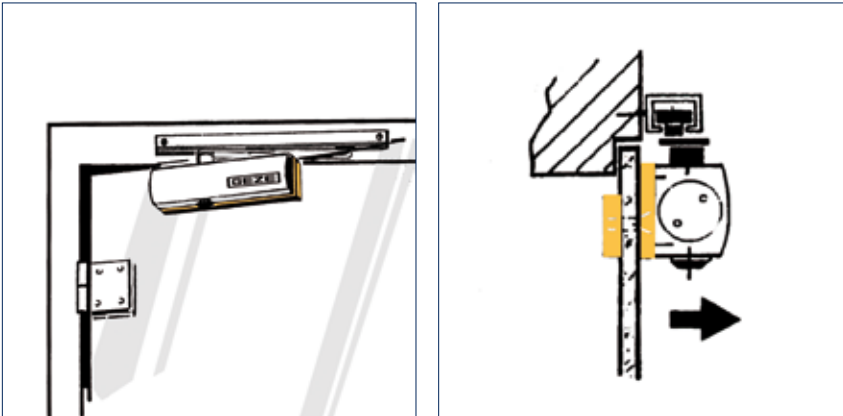
Description	Version	ID.No.
GEZE TS 3000 V Closer Size EN 1-4 (without guide rail and lever)	silver-coloured	028348
GEZE TS 3000 EN3 Closer Size EN 3 (without guide rail and lever)	silver-coloured	102247
GEZE TS 3000 V BC Closer Size EN 1-4, with back check (without guide rail and lever)	silver-coloured	109326
Guide rail BG TS 5000/TS 3000 Standard, with lever, use with closer on leaf installation on the opposite hinge side	silver-coloured	025655
Accessories		
Mechanical hold-open unit for Standard / T-Stop / Boxer 20.7 mm guide rail, adjustable holding force, can be switched on and off, can be overridden		071924
Mounting plate guide rail BG for standard / ECLine / T-Stop / EFS guide rail	silver-coloured	124683
Mounting plate door closer for TS 3000 with hole pattern according to DIN EN 1154 Supplement 1	silver-coloured	011230
Lintel casing bracket guide rail BG for standard guide rail	silver-coloured	025657

Note: See our system catalogues for further accessories and colour variants.

GEZE TS 3000 V / V BC / EN3

Door leaf installation hinge side with mounting and counterplate for all-glass door

TS 3000 V Door leaf installation/hinge side counterplate glass

**Application range**

- Closing force 1-4 according to EN 1154, leaf width up to 1100 mm
- Can be used for doors mounted on the right or left without conversion
- GEZE TS 3000 EN3 for leaf widths up to 950 mm
- Mounting and counterplate, glass thickness 10 / 12 mm

Order information

Description	Version	ID.No.
GEZE TS 3000 V Closer Size EN 1-4 (without guide rail and lever)	silver-coloured	028348
GEZE TS 3000 EN3 Closer Size EN 3 (without guide rail and lever)	silver-coloured	102247
GEZE TS 3000 V BC Closer Size EN 1-4, with back check (without guide rail and lever)	silver-coloured	109326
Guide rail TS 5000/TS 3000 Standard, with lever	silver-coloured	068221
Accessories		
Mounting and counterplate for all-glass door for TS 3000/TS 2000 NV	silver-coloured	090259
Mechanical hold-open unit for Standard / T-Stop / Boxer 20.7 mm guide rail, adjustable holding force, can be switched on and off, can be overridden		071924
Guide rail mounting plate for standard / Ecline / T-Stop / EFS guide rail	silver-coloured	001512

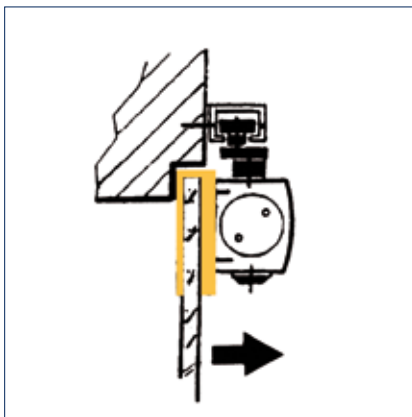
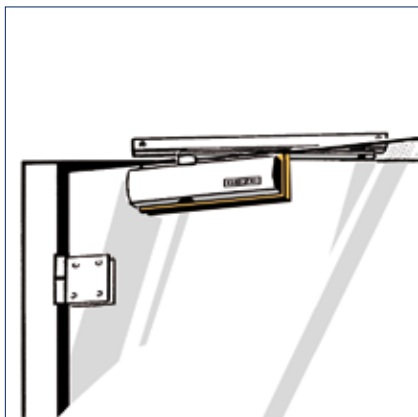
Note: See our system catalogues for further accessories and colour variants.

GEZE INSTALLATION OPTIONS

GEZE TS 3000 V / V BC / EN3

Door leaf installation hinge side with clamping shoe for all-glass door

TS 3000 V Door leaf installation/hinge side clamping shoe glass



Application range

- Closing force 1-4 according to EN 1154, leaf width up to 1100 mm
- Can be used for doors mounted on the right or left without conversion
- GEZE TS 3000 EN3 for leaf widths up to 950 mm
- Clamping shoe, glass thickness 8-10 mm

Order information

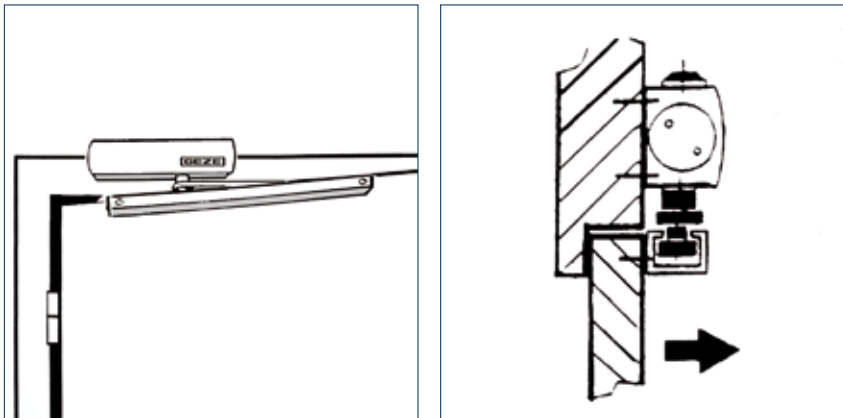
Description	Version	ID.No.
GEZE TS 3000 V Closer Size EN 1-4 (without guide rail and lever)	silver-coloured	028348
GEZE TS 3000 EN3 Closer Size EN 3 (without guide rail and lever)	silver-coloured	102247
GEZE TS 3000 V BC Closer Size EN 1-4, with back check (without guide rail and lever)	silver-coloured	109326
Guide rail TS 5000/TS 3000 Standard, with lever	silver-coloured	068221
Accessories		
Glass clamping shoe door closer for TS 3000/TS 2000 NV	silver-coloured	014835
Mechanical hold-open unit for Standard / T-Stop / Boxer 20.7 mm guide rail, adjustable holding force, can be switched on and off, can be overridden		071924
Guide rail mounting plate for standard / Ecline / T-Stop / EFS guide rail	silver-coloured	001512

Note: See our system catalogues for further accessories and colour variants.

GEZE TS 3000 V / V BC / EN3

Transom installation hinge side

TS 3000 V Transom installation/hinge side



Application range

- Closing force 1-4 according to EN 1154, leaf width up to 1100 mm
- Can be used for doors mounted on the right or left without conversion
- GEZE TS 3000 EN3 for leaf widths up to 950 mm
- For fire protection doors with respective suitability certificate

Order information

Description	Version	ID.No.
GEZE TS 3000 V Closer Size EN 1-4 (without guide rail and lever)	silver-coloured	028348
GEZE TS 3000 EN3 Closer Size EN 3 (without guide rail and lever)	silver-coloured	102247
GEZE TS 3000 V BC Closer Size EN 1-4, with back check (without guide rail and lever)	silver-coloured	109326
Guide rail TS 5000/TS 3000 Standard, with lever	silver-coloured	068221
Accessories		
Mechanical hold-open unit for Standard / T-Stop / Boxer 20.7 mm guide rail, adjustable holding force, can be switched on and off, can be overridden		071924
Guide rail mounting plate for standard / ECLine / T-Stop / EFS guide rail	silver-coloured	001512
Mounting plate door closer for TS 3000 with hole pattern according to DIN EN 1154 Supplement 1	silver-coloured	011230

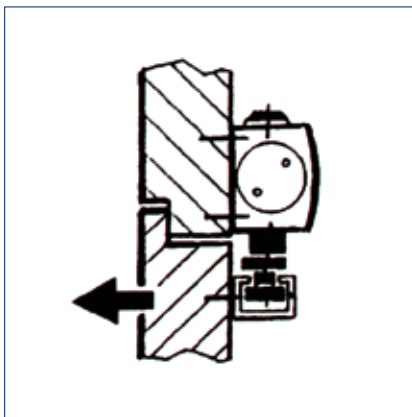
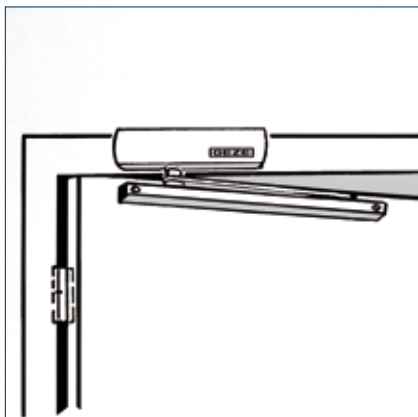
Note: See our system catalogues for further accessories and colour variants.

GEZE INSTALLATION OPTIONS

GEZE TS 3000 V / V BC / EN3

Transom installation opposite hinge side

TS 3000 V Transom installation/opposite hinge side



Application range

- Closing force 1-4 according to EN 1154, leaf width up to 1100 mm
- Can be used for doors mounted on the right or left without conversion
- GEZE TS 3000 EN3 for leaf widths up to 950 mm
- For fire protection doors with respective suitability certificate

Order information

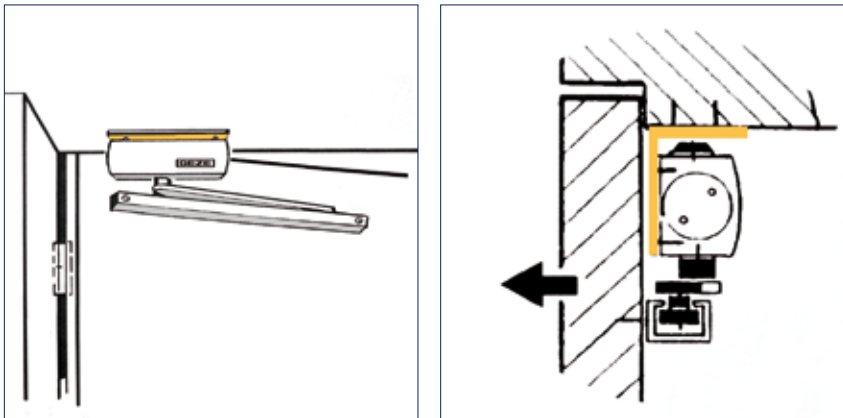
Description	Version	ID.No.
GEZE TS 3000 V Closer Size EN 1-4 (without guide rail and lever)	silver-coloured	028348
GEZE TS 3000 EN3 Closer Size EN 3 (without guide rail and lever)	silver-coloured	102247
GEZE TS 3000 V BC Closer Size EN 1-4, with back check (without guide rail and lever)	silver-coloured	109326
Guide rail TS 5000/TS 3000 Standard, with lever	silver-coloured	068221
Guide rail TS 5000/3000, riveted fixed riveted sliding block, with lever	silver-coloured	069650
Accessories		
Mechanical hold-open unit for Standard / T-Stop / Boxer 20.7 mm guide rail, adjustable holding force, can be switched on and off, can be overridden		071924
Guide rail mounting plate for standard / Ecline / T-Stop / EFS guide rail	silver-coloured	001512
Mounting plate door closer for TS 3000 with hole pattern according to DIN EN 1154 Supplement 1	silver-coloured	011230

Note: See our system catalogues for further accessories and colour variants.

GEZE TS 3000 V / V BC / EN3

Transom installation opposite hinge side with lintel casing bracket

TS 3000 V Transom installation/opposite hinge side lintel casing bracket



Application range

- Closing force 1-4 according to EN 1154, leaf width up to 1100 mm
- Can be used for doors mounted on the right or left without conversion
- GEZE TS 3000 EN3 for leaf widths up to 950 mm
- Note for emergency exit routes, restriction of passage height by approx. 100 mm
- For fire protection doors with respective suitability certificate

Order information

Description	Version	ID.No.
GEZE TS 3000 V Closer Size EN 1-4 (without guide rail and lever)	silver-coloured	028348
GEZE TS 3000 EN3 Closer Size EN 3 (without guide rail and lever)	silver-coloured	102247
GEZE TS 3000 V BC Closer Size EN 1-4, with back check (without guide rail and lever)	silver-coloured	109326
Guide rail TS 5000/TS 3000 Standard, with lever	silver-coloured	068221
Guide rail TS 5000/3000, riveted fixed riveted sliding block, with lever	silver-coloured	069650
Accessories		
Mechanical hold-open unit for Standard / T-Stop / Boxer 20.7 mm guide rail, adjustable holding force, can be switched on and off, can be overridden		071924
Guide rail mounting plate for standard / Ecline / T-Stop / EFS guide rail	silver-coloured	001512
Lintel casing bracket transom installation BG for TS 2000 NV / TS 3000 V	silver-coloured	127432

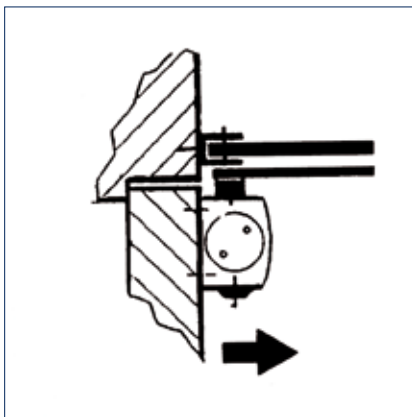
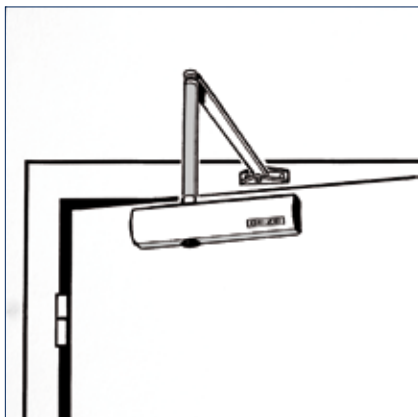
Note: See our system catalogues for further accessories and colour variants.

GEZE INSTALLATION OPTIONS

GEZE TS 4000 / S / E / EFS

Door leaf installation hinge side

TS 4000 Door leaf installation/hinge side



Application range

- Closing force 1-6 according to EN 1154, leaf width up to 1400 mm
- Can be used for doors mounted on the right or left without conversion
- For fireproof doors (door closer with mounting plate)
- GEZE TS 4000 EN 5-7 for leaf widths up to 1600 mm

Order information

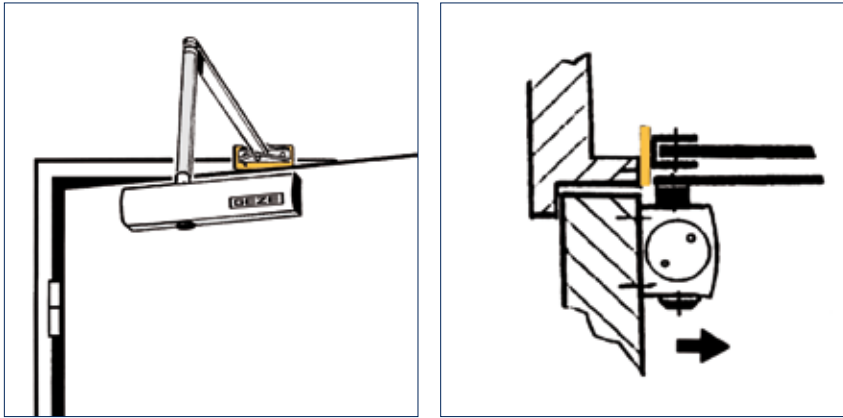
Description	Version	ID.No.
GEZE TS 4000 Closer Size EN 1-6 with back check (without link arms)	silver-coloured	102789
GEZE TS 4000 S Closer Size EN 1-6 with delayed closing action and back check (without link arms)	silver-coloured	107745
GEZE TS 4000 Closer Size EN 5-7 with back check (without link arms)	silver-coloured	102837
GEZE TS 4000 E Closer Size EN 1-6, door leaf installation hinge side, with electric hold-open device and connector box (without link arms)	silver-coloured	105211
GEZE TS 4000 EFS Closer Size EN 1-6, door leaf installation hinge side, with electric hold-open device for free swing function and connector box (without freeswing arms)	silver-coloured	105211
Link arms TS 4000/2000 Standard	silver-coloured	102421
Link arms TS 4000/2000 with mechanical hold-open for optional use	silver-coloured	102445
Link arms TS 4000/2000 with mechanical hold-open	silver-coloured	102454
Link arms TS 4000 EFS/RFS with freeswing function / freeswing	silver-coloured	106460
Accessories		
Mounting plate door closer for TS 5000/TS 4000 with hole pattern according to DIN EN 1154 Supplement 1	silver-coloured	049185
Mounting plate door closer for TS 5000 EFS/RFS/E-HY / TS 4000 E with hole pattern according to DIN EN 1154 Supplement 1	silver-coloured	059107

Note: See our system catalogues for further accessories and colour variants.

GEZE TS 4000 / S / E / EFS

Door leaf installation hinge side with mounting plate for link arms on slim frames

TS 4000 Door leaf installation/hinge side MP slim frame



Application range

- Closing force 1-6 according to EN 1154, leaf width up to 1400 mm
- Can be used for doors mounted on the right or left without conversion
- For fireproof doors (door closer with mounting plate)
- GEZE TS 4000 EN 5-7 for leaf widths up to 1600 mm

Order information

Description	Version	ID.No.
GEZE TS 4000 Closer Size EN 1-6 with back check (without link arms)	silver-coloured	102789
GEZE TS 4000 S Closer Size EN 1-6 with delayed closing action and back check (without link arms)	silver-coloured	107745
GEZE TS 4000 Closer Size EN 5-7 with back check (without link arms)	silver-coloured	102837
GEZE TS 4000 E Closer Size EN 1-6, door leaf installation hinge side, with electric hold-open device and connector box (without link arms)	silver-coloured	105211
GEZE TS 4000 EFS Closer Size EN 1-6, door leaf installation hinge side, with electric hold-open device for free swing function and connector box (without freeswing arms)	silver-coloured	105211
Link arms TS 4000/2000 Standard	silver-coloured	102421
Link arms TS 4000/2000 with mechanical hold-open for optional use	silver-coloured	102445
Link arms TS 4000/2000 with mechanical hold-open	silver-coloured	102454
Link arms TS 4000 EFS/RFS with freeswing function / freeswing	silver-coloured	106460
Accessories		
Mounting plate link arms for TS 4000/TS 2000, with slim frames	silver-coloured	057109
Mounting plate door closer for TS 5000/TS 4000 with hole pattern according to DIN EN 1154 Supplement 1	silver-coloured	049185
Mounting plate door closer for TS 5000 EFS/RFS/E-HY / TS 4000 E with hole pattern according to DIN EN 1154 Supplement 1	silver-coloured	059107

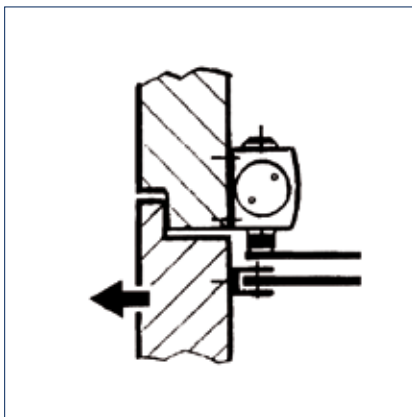
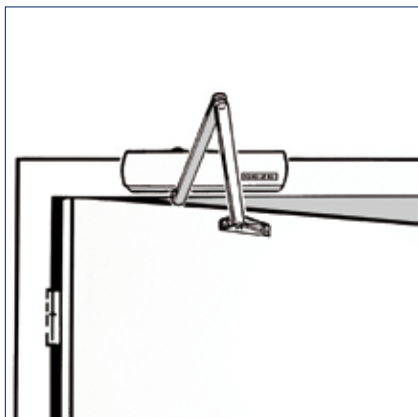
Note: See our system catalogues for further accessories and colour variants.

GEZE INSTALLATION OPTIONS

GEZE TS 4000 / S / E / EFS / R / RFS

Transom installation opposite hinge side

TS 4000 Transom installation/opposite hinge side



Application range

- Closing force 1-6 according to EN 1154, leaf width up to 1400 mm
- Can be used for doors mounted on the right or left without conversion
- GEZE TS 4000 EN 5-7 for leaf widths up to 1600 mm

Order information

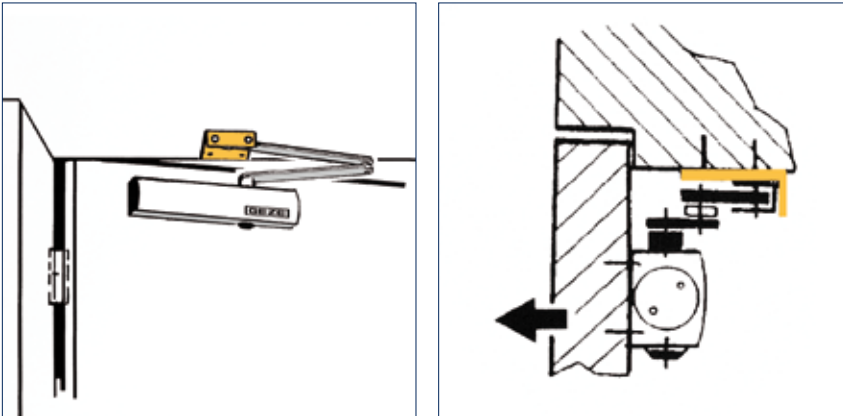
Description	Version	ID.No.
GEZE TS 4000 Closer Size EN 1-6 with back check (without link arms)	silver-coloured	102789
GEZE TS 4000 S Closer Size EN 1-6 with delayed closing action and back check (without link arms)	silver-coloured	107745
GEZE TS 4000 Closer Size EN 5-7 with back check (without link arms)	silver-coloured	102837
GEZE TS 4000 E KM BG Closer Size EN 1-6, transom installation opposite hinge side, with electric hold-open device (without link arms)	silver-coloured	105213
GEZE TS 4000 EFS KM BG Closer Size EN 1-6, transom installation opposite hinge side, with electric hold-open device for freeswing function (without freeswing arms)	silver-coloured	105213
GEZE TS 4000 R KM BG Closer Size EN 1-6, transom installation opposite hinge side, with electric hold-open device and integrated smoke switch control unit (without link arms)	silver-coloured	105241
GEZE TS 4000 RFS KM BG Closer Size EN 1-6, transom installation opposite hinge side, with electric hold-open device for freeswing function and integrated smoke switch control unit (without freeswing arms)	silver-coloured	105241
Link arms TS 4000/2000 Standard	silver-coloured	102421
Link arms TS 4000/2000 with mechanical hold-open for optional use	silver-coloured	102445
Link arms TS 4000/2000 with mechanical hold-open	silver-coloured	102454
Link arms TS 4000 EFS/RFS with freeswing function / freeswing	silver-coloured	106460
Accessories		
Mounting plate door closer for TS 5000/TS 4000 with hole pattern according to DIN EN 1154 Supplement 1	silver-coloured	049185
Mounting plate door closer for TS 5000 EFS/RFS/E-HY / TS 4000 E with hole pattern according to DIN EN 1154 Supplement 1	silver-coloured	059107
Mounting plate door closer for TS 5000 RFS KM/ TS 4000 R & R-IS with hole pattern according to DIN EN 1154 Supplement 1	black	058808

Note: See our system catalogues for further accessories and colour variants..

GEZE TS 4000 / S

Door leaf installation opposite hinge side with PA bracket for parallel arm installation

TS 4000 Door leaf installation/opposite hinge side parallel arm installation

**Application range**

- Closing force 1-6 according to EN 1154, leaf width up to 1400 mm
- Can be used for doors mounted on the right or left without conversion
- GEZE TS 4000 EN 5-7 for leaf widths up to 1600 mm
- Note for emergency exit routes, restriction of passage height by approx. 30 mm
- For fireproof doors (door closer with mounting plate)

Order information

Description	Version	ID.No.
GEZE TS 4000 Closer Size EN 1-6 with back check (without link arms)	silver-coloured	102789
GEZE TS 4000 S Closer Size EN 1-6 with delayed closing action and back check (without link arms)	silver-coloured	107745
GEZE TS 4000 Closer Size EN 5-7 with back check (without link arms)	silver-coloured	102837
Link arms TS 4000/2000 Standard	silver-coloured	102421
Link arms TS 4000/2000 with mechanical hold-open for optional use	silver-coloured	102445
Link arms TS 4000/2000 with mechanical hold-open	silver-coloured	102454
Accessories		
Mounting plate link arms for TS 4000/TS 2000, for parallel arm installation	silver-coloured	053318
Mounting plate door closer for TS 5000/TS 4000 with hole pattern according to DIN EN 1154 Supplement 1	silver-coloured	049185

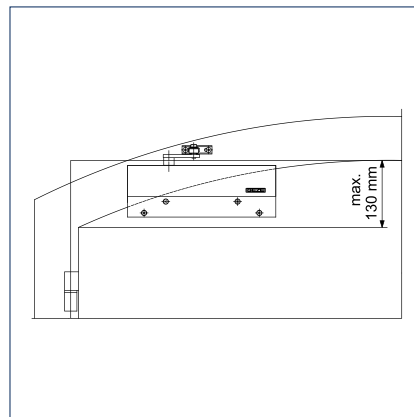
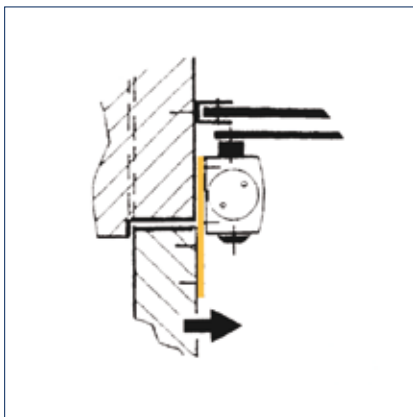
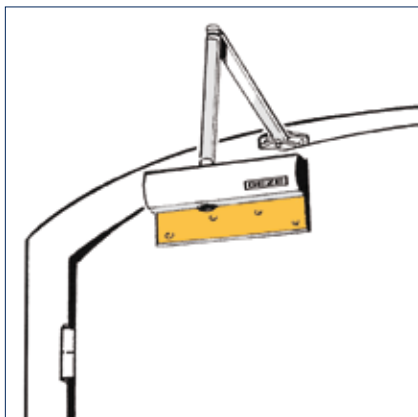
Note: See our system catalogues for further accessories and colour variants.

GEZE INSTALLATION OPTIONS

GEZE TS 4000 / S

Door leaf installation hinge side with mounting plate for segmental arch door

TS 4000 Door leaf installation/hinge side segmental arch



Application range

- Closing force 1-6 according to EN 1154, leaf width up to 1400 mm
- Can be used for doors mounted on the right or left without conversion
- GEZE TS 4000 EN 5-7 for leaf widths up to 1600 mm
- Semi/segmental arch doors, max. arch height approx. 130 mm

Order information

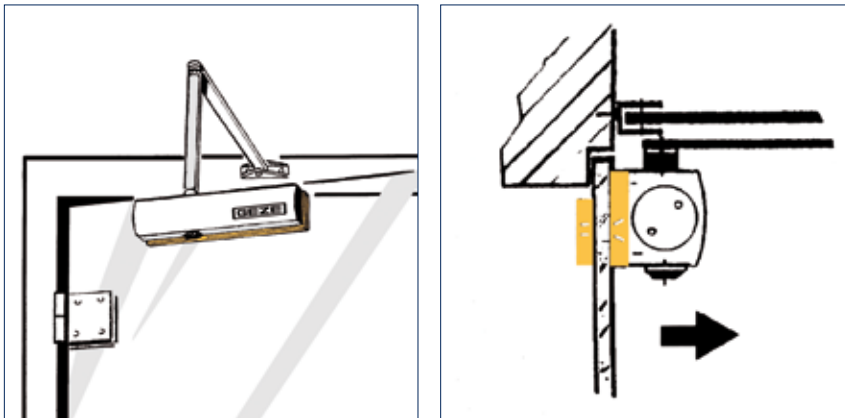
Description	Version	ID.No.
GEZE TS 4000 Closer Size EN 1-6 with back check (without link arms)	silver-coloured	102789
GEZE TS 4000 S Closer Size EN 1-6 with delayed closing action and back check (without link arms)	silver-coloured	107745
GEZE TS 4000 Closer Size EN 5-7 with back check (without link arms)	silver-coloured	102837
Link arms TS 4000/2000 Standard	silver-coloured	102421
Link arms TS 4000/2000 with mechanical hold-open for optional use	silver-coloured	102445
Link arms TS 4000/2000 with mechanical hold-open	silver-coloured	102454
Accessories		
Mounting plate segmental arch door for TS 2000, arch height max. 130 mm	silver-coloured	058782

Note: See our system catalogues for further accessories and colour variants.

GEZE TS 4000 / S

Door leaf installation hinge side with mounting and counterplate for all-glass door

TS 4000 Door leaf installation/hinge side counterplate glass

**Application range**

- Closing force 1-6 according to EN 1154, leaf width up to 1400 mm
- Can be used for doors mounted on the right or left without conversion
- GEZE TS 4000 EN 5-7 for leaf widths up to 1600 mm
- Mounting and counterplate, glass thickness 10 / 12 mm

Order information

Description	Version	ID.No.
GEZE TS 4000 Closer Size EN 1-6 with back check (without link arms)	silver-coloured	102789
GEZE TS 4000 S Closer Size EN 1-6 with delayed closing action and back check (without link arms)	silver-coloured	107745
GEZE TS 4000 Closer Size EN 5-7 with back check (without link arms)	silver-coloured	102837
Link arms TS 4000/2000 Standard	silver-coloured	102421
Link arms TS 4000/2000 with mechanical hold-open for optional use	silver-coloured	102445
Link arms TS 4000/2000 with mechanical hold-open	silver-coloured	102454
Accessories		
Mounting and counterplate for all-glass door for TS 5000/TS 4000	silver-coloured	007923

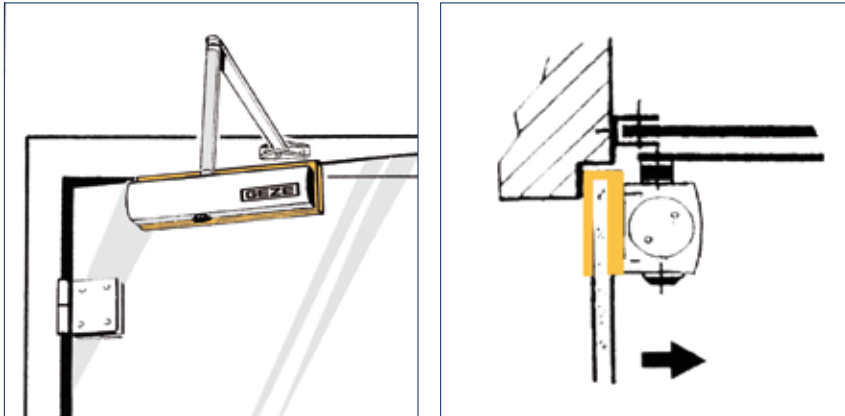
Note: See our system catalogues for further accessories and colour variants.

GEZE INSTALLATION OPTIONS

GEZE TS 4000 / S

Door leaf installation hinge side with clamping shoe for all-glass door

TS 4000 Door leaf installation/hinge side clamping plate glass



Application range

- Closing force 1-6 according to EN 1154, leaf width up to 1400 mm
- Can be used for doors mounted on the right or left without conversion
- GEZE TS 4000 EN 5-7 for leaf widths up to 1600 mm
- Clamping shoe, glass thickness 8-10 mm

Order information

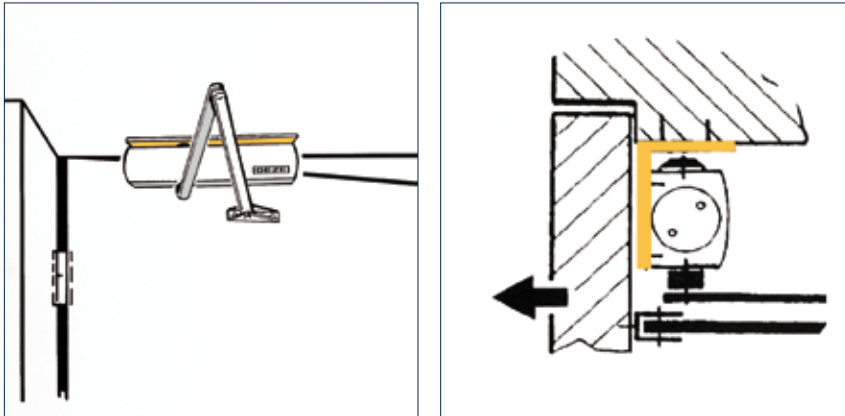
Description	Version	ID.No.
GEZE TS 4000 Closer Size EN 1-6 with back check (without link arms)	silver-coloured	102789
GEZE TS 4000 S Closer Size EN 1-6 with delayed closing action and back check (without link arms)	silver-coloured	107745
GEZE TS 4000 Closer Size EN 5-7 with back check (without link arms)	silver-coloured	102837
Link arms TS 4000/2000 Standard	silver-coloured	102421
Link arms TS 4000/2000 with mechanical hold-open for optional use	silver-coloured	102445
Link arms TS 4000/2000 with mechanical hold-open	silver-coloured	102454
Accessories		
Glass clamping shoe door closer for TS 5000/TS 4000	silver-coloured	057126

Note: See our system catalogues for further accessories and colour variants.

GEZE TS 4000 / S

Transom installation opposite hinge side with lintel casing bracket

TS 4000 Transom installation/opposite hinge side lintel casing bracket

**Application range**

- Closing force 1-6 according to EN 1154, leaf width up to 1400 mm
- Can be used for doors mounted on the right or left without conversion
- GEZE TS 4000 EN 5-7 for leaf widths up to 1600 mm
- Note for emergency exit routes, restriction of passage height by approx. 100 mm
- For fire protection doors with respective suitability certificate

Order information

Description	Version	ID.No.
GEZE TS 4000 Closer Size EN 1-6 with back check (without link arms)	silver-coloured	102789
GEZE TS 4000 S Closer Size EN 1-6 with delayed closing action and back check (without link arms)	silver-coloured	107745
GEZE TS 4000 Closer Size EN 5-7 with back check (without link arms)	silver-coloured	102837
Link arms TS 4000/2000 Standard	silver-coloured	102421
Link arms TS 4000/2000 with mechanical hold-open for optional use	silver-coloured	102445
Link arms TS 4000/2000 with mechanical hold-open	silver-coloured	102454
Accessories		
Lintel casing bracket transom installation BG for TS 5000/TS 4000	silver-coloured	049240

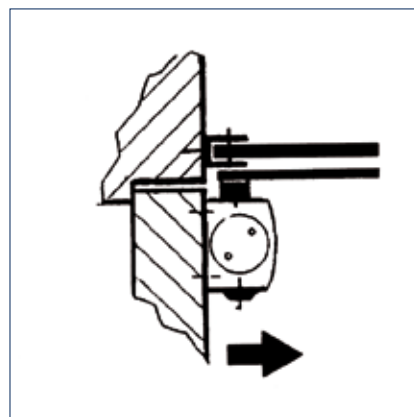
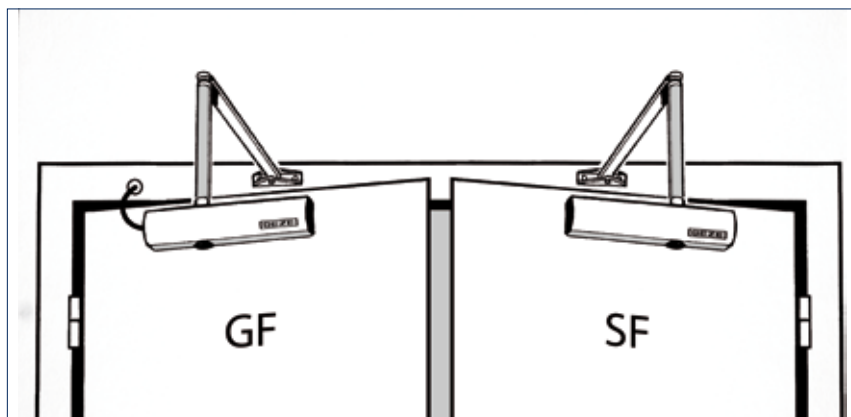
Note: See our system catalogues for further accessories and colour variants.

GEZE INSTALLATION OPTIONS

GEZE TS 4000 IS / E-IS

Door leaf installation hinge side, double-leaf

TS 4000 Door leaf installation/hinge side, double-leaf



Application range

- Closing force 1-6 according to EN 1154, leaf width up to 1400 mm
- Can be used for doors mounted on the right or left without conversion
- For fireproof doors (door closer with mounting plate)

Order information

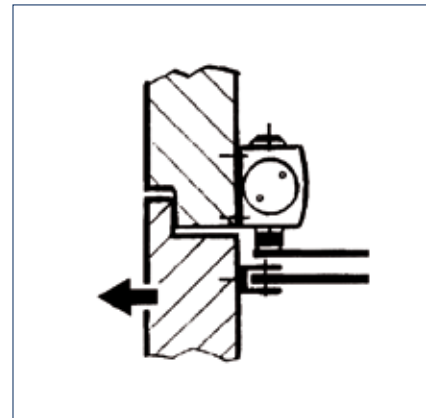
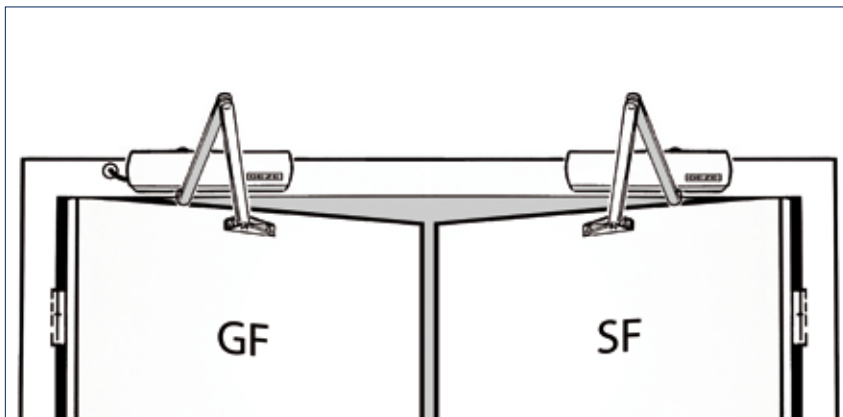
Description	Version	ID.No.
GEZE TS 4000 IS Closer Size EN 1-6 with integrated closing sequence control (without release mechanism and link arms)	silver-coloured	102798
GEZE TS 4000 E-IS Closer Size EN 1-6, door leaf installation hinge side, with electric hold-open device, connector box, integrated closing sequence control and mounting plate (without release mechanism and link arms)	silver-coloured	105237
Link arms TS 4000/2000 Standard	silver-coloured	102421
Link arms TS 4000/2000 with mechanical hold-open for optional use	silver-coloured	102445
Link arms TS 4000/2000 with mechanical hold-open	silver-coloured	102454
Accessories		
		058306
		058307
Release mechanism closing sequence control for TS 4000 IS / E-IS / R-IS		058308
		058309
		058310
		058311
Mounting plate door closer for TS 5000/TS 4000 with hole pattern according to DIN EN 1154 Supplement 1	silver-coloured	049185

Note: See our system catalogues for further accessories and colour variants.

GEZE TS 4000 IS / E-IS / R-IS

Transom installation opposite hinge side, double-leaf

TS 4000 Transom installation/opposite hinge side, double-leaf



Application range

- Closing force 1-6 according to EN 1154, leaf width up to 1400 mm
- Can be used for doors mounted on the right or left without conversion
- For fire protection doors with respective suitability certificate

Order information

Description	Version	ID.No.
GEZE TS 4000 IS Closer Size EN 1-6 with integrated closing sequence control (without release mechanism and link arms)	silver-coloured	102798
GEZE TS 4000 E-IS KM BG Closer Size EN 1-6, transom installation opposite hinge side, with electric hold-open device, integrated closing sequence control and mounting plate (without link arms and connector box)	silver-coloured	105239
GEZE TS 4000 R-IS KM BG Closer Size EN 1-6, transom installation opposite hinge side, with integrated closing sequence control, electric hold-open device and smoke switch control unit (without link arms and release mechanism)	silver-coloured	105244
Link arms TS 4000/2000 Standard	silver-coloured	102421
Link arms TS 4000/2000 with mechanical hold-open for optional use	silver-coloured	102445
Link arms TS 4000/2000 with mechanical hold-open	silver-coloured	102454
Accessories		
		058306
		058307
Release mechanism closing sequence control for TS 4000 IS / E-IS / R-IS		058308
		058309
		058310
		058311
Mounting plate door closer for TS 5000/TS 4000 with hole pattern according to DIN EN 1154 Supplement 1	silver-coloured	049185

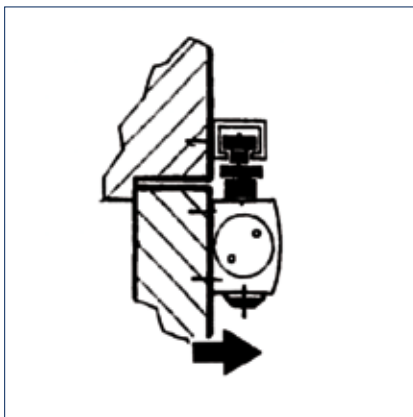
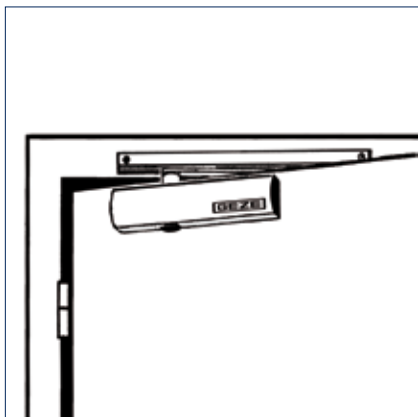
Note: See our system catalogues for further accessories and colour variants.

GEZE INSTALLATION OPTIONS

GEZE TS 5000 / S / E / R / EFS / RFS

Door leaf installation hinge side

TS 5000 Door leaf installation/hinge side



Application range

- Closing force 2-6 according to EN 1154, leaf width up to 1400 mm
- Can be used for doors mounted on the right or left without conversion
- For fireproof doors (door closer with mounting plate)
- GEZE TS 5000 EFS/RFS for leaf widths up to 1250 mm with closing force 2-5 according to EN 1154

Order information

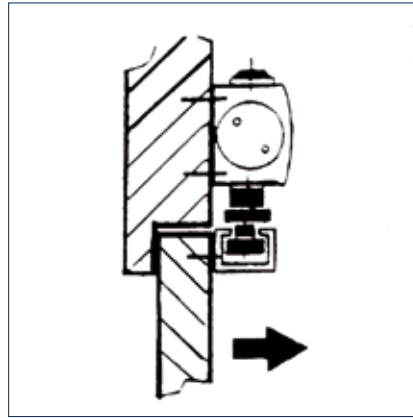
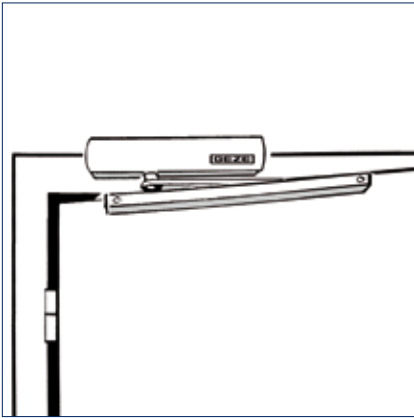
Description	Version	ID.No.
GEZE TS 5000 S Closer Size EN 2-6, with delayed closing action and back check (without guide rail and lever)	silver-coloured	107935
GEZE TS 5000 Closer Size EN 2-6, with back check (without guide rail and lever)	silver-coloured	027333
GEZE TS 5000 EFS complete package for leaf installation Size EN 2-5, door leaf installation on the hinge side, with electric freeswing function, with guide rail and lever	silver-coloured	095076
GEZE TS 5000 RFS complete package for door leaf installation Size EN 2-5, door leaf installation on the hinge side, with electric freeswing function, guide rail with integrated smoke switch control unit and lever	silver-coloured	121817
Guide rail TS 5000/TS 3000 Standard, with lever	silver-coloured	068221
E-guide rail TS 5000 with electric hold-open device and lever	silver-coloured	116295
R-guide rail TS 5000 with electric hold-open device, integrated smoke switch control unit and lever	silver-coloured	116300
Accessories		
Mechanical hold-open unit for Standard / T-Stop / Boxer 20.7 mm guide rail, adjustable holding force, can be switched on and off, can be overridden		071924
Guide rail mounting plate for standard / Ecline / T-Stop / EFS guide rail	silver-coloured	001512
Guide rail mounting plate for E-guide rail	silver-coloured	123294
Guide rail mounting plate for R / RFS-guide rail	silver-coloured	123296
Mounting plate door closer for TS 5000/TS 4000 with hole pattern according to DIN EN 1154 Supplement 1	silver-coloured	049185
Mounting plate door closer for TS 5000 EFS/RFS/E-HY / TS 4000 E with hole pattern according to DIN EN 1154 Supplement 1	silver-coloured	059107

Note: See our system catalogues for further accessories and colour variants.

GEZE TS 5000 EFS / RFS

Transom installation hinge side

TS 5000 Transom installation/hinge side

**Application range**

- Closing force 2-5 according to EN 1154, leaf width up to 1250 mm
- Can be used for doors mounted on the right or left without conversion
- For fire protection doors

Order information

Description	Version	ID.No.
GEZE TS 5000 EFS complete package for transom installation Size EN 2-5, transom installation on the hinge side, with electric freeswing function, with guide rail and lever	silver-coloured	093556
GEZE TS 5000 RFS complete package for transom installation Size EN 2-5, transom installation on the hinge side, with electric freeswing function, integrated smoke switch control unit, guide rail and lever	silver-coloured	115200
Accessories		
Guide rail mounting plate for standard / ECLine / T-Stop / EFS guide rail	silver-coloured	001512
Mounting plate door closer for TS 5000 EFS/RFS/E-HY / TS 4000 E with hole pattern according to DIN EN 1154 Supplement 1	silver-coloured	059107

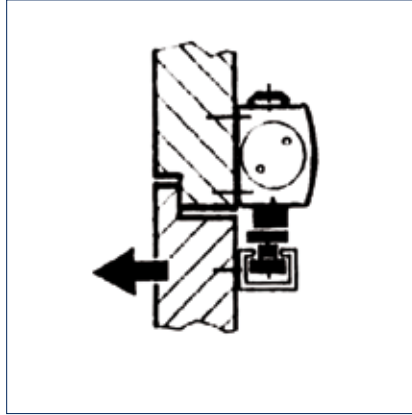
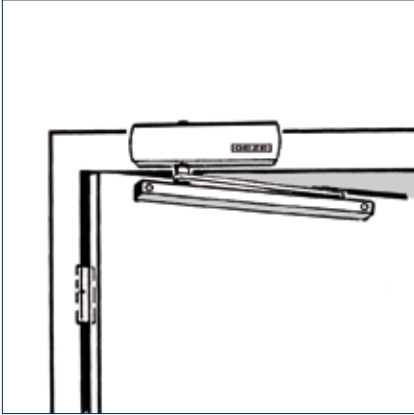
Note: See our system catalogues for further accessories and colour variants.

GEZE INSTALLATION OPTIONS

GEZE TS 5000 / S

Transom installation opposite hinge side

TS 5000 Transom installation/opposite hinge side



Application range

- Closing force 2-6 according to EN 1154, leaf width up to 1400 mm
- Can be used for doors mounted on the right or left without conversion
- For fire protection doors with respective suitability certificate

Order information

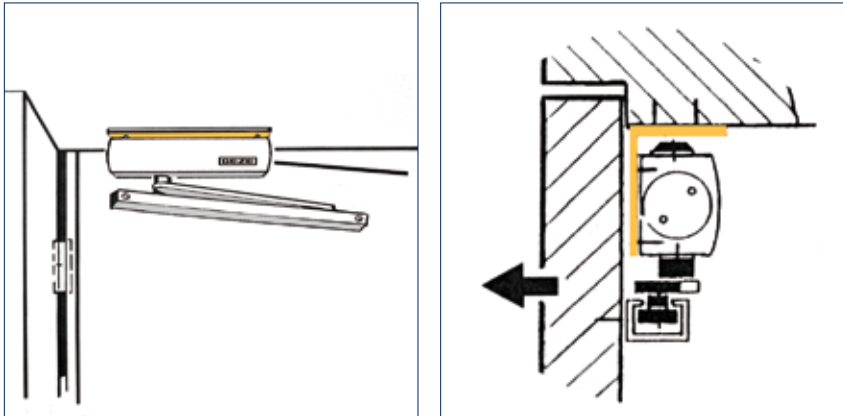
Description	Version	ID.No.
GEZE TS 5000 S Closer Size EN 2-6, with delayed closing action and back check (without guide rail and lever)	silver-coloured	107935
GEZE TS 5000 Closer Size EN 2-6, with back check (without guide rail and lever)	silver-coloured	027333
Guide rail TS 5000/TS 3000 Standard, with lever	silver-coloured	068221
Guide rail TS 5000/3000, riveted fixed riveted sliding block, with lever	silver-coloured	069650
Accessories		
Mechanical hold-open unit for Standard / T-Stop / Boxer 20.7 mm guide rail, adjustable holding force, can be switched on and off, can be overridden		071924
Flexible opening restrictor for lightweight doors for riveted guide rail, standard guide rail BG & Boxer 20.7 mm guide rail		069780
Guide rail mounting plate for standard / Ecline / T-Stop / EFS guide rail	silver-coloured	001512
Mounting plate door closer for TS 5000/TS 4000 with hole pattern according to DIN EN 1154 Supplement 1	silver-coloured	049185

Note: See our system catalogues for further accessories and colour variants.

GEZE TS 5000 / S

Transom installation opposite hinge side with lintel casing bracket

TS 5000 Transom installation/opposite hinge side lintel casing bracket



Application range

- Closing force 2-6 according to EN 1154, leaf width up to 1400 mm
- Can be used for doors mounted on the right or left without conversion
- Note for emergency exit routes, restriction of passage height by approx. 100 mm
- For fire protection doors with respective suitability certificate

Order information

Description	Version	ID.No.
GEZE TS 5000 S Closer Size EN 2-6, with delayed closing action and back check (without guide rail and lever)	silver-coloured	107935
GEZE TS 5000 Closer Size EN 2-6, with back check (without guide rail and lever)	silver-coloured	027333
Guide rail TS 5000/TS 3000 Standard, with lever	silver-coloured	068221
Guide rail TS 5000/3000, riveted fixed riveted sliding block, with lever	silver-coloured	069650
Accessories		
Mechanical hold-open unit for Standard / T-Stop / Boxer 20.7 mm guide rail, adjustable holding force, can be switched on and off, can be overridden		071924
Flexible opening restrictor for lightweight doors for riveted guide rail, standard guide rail BG & Boxer 20.7 mm guide rail		069780
Guide rail mounting plate for standard / Ecline / T-Stop / EFS guide rail	silver-coloured	001512
Lintel casing bracket transom installation BG for TS 5000/TS 4000	silver-coloured	049240

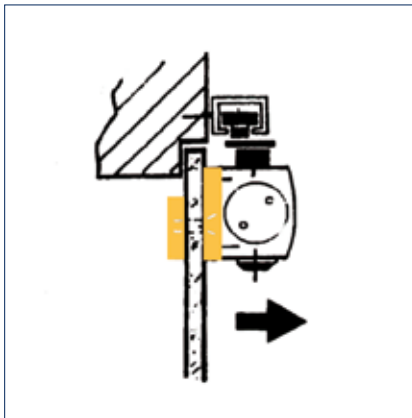
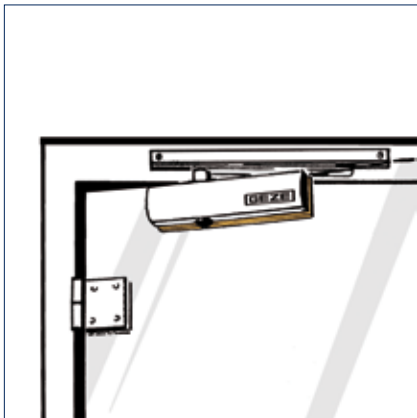
Note: See our system catalogues for further accessories and colour variants.

GEZE INSTALLATION OPTIONS

GEZE TS 5000 / S / E

Door leaf installation hinge side with mounting and counterplate for all-glass door

TS 5000 Door leaf installation/hinge side counterplate glass



Application range

- Closing force 2-6 according to EN 1154, leaf width up to 1400 mm
- Can be used for doors mounted on the right or left without conversion
- Mounting and counterplate, glass thickness 10 / 12 mm

Order information

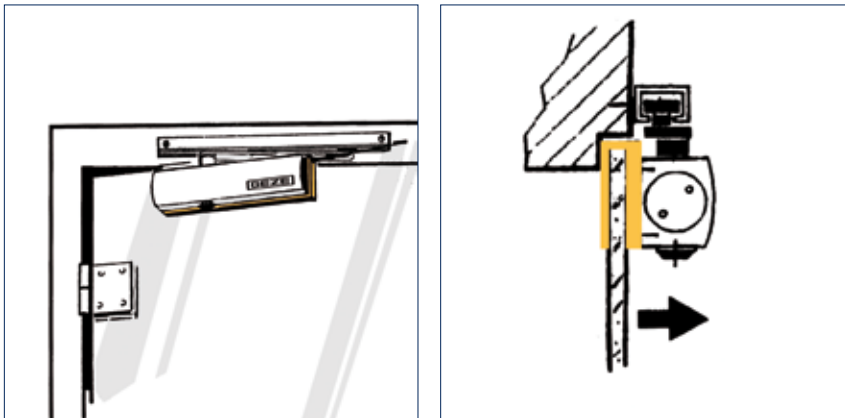
Description	Version	ID.No.
GEZE TS 5000 S Closer Size EN 2-6, with delayed closing action and back check (without guide rail and lever)	silver-coloured	107935
GEZE TS 5000 Closer Size EN 2-6, with back check (without guide rail and lever)	silver-coloured	027333
Guide rail TS 5000/TS 3000 Standard, with lever	silver-coloured	068221
E-guide rail TS 5000 with electric hold-open device and lever	silver-coloured	116295
Accessories		
Mounting and counterplate for all-glass door for TS 5000/TS 4000	silver-coloured	007923
Mechanical hold-open unit for Standard / T-Stop / Boxer 20.7 mm guide rail, adjustable holding force, can be switched on and off, can be overridden		071924
Guide rail mounting plate for standard / Ecline / T-Stop / EFS guide rail	silver-coloured	001512
Guide rail mounting plate for E-guide rail	silver-coloured	123294

Note: See our system catalogues for further accessories and colour variants.

GEZE TS 5000 / S / E

Door leaf installation hinge side with clamping shoe for all-glass door

TS 5000 Door leaf installation/hinge side clamping plate glass

**Application range**

- Closing force 2-6 according to EN 1154, leaf width up to 1400 mm
- Can be used for doors mounted on the right or left without conversion
- Clamping shoe, glass thickness 8-10 mm

Order information

Description	Version	ID.No.
GEZE TS 5000 S Closer Size EN 2-6, with delayed closing action and back check (without guide rail and lever)	silver-coloured	107935
GEZE TS 5000 Closer Size EN 2-6, with back check (without guide rail and lever)	silver-coloured	027333
Guide rail TS 5000/TS 3000 Standard, with lever	silver-coloured	068221
E-guide rail TS 5000 with electric hold-open device and lever	silver-coloured	116295
Accessories		
Glass clamping shoe door closer for TS 5000/TS 4000	silver-coloured	057126
Mechanical hold-open unit for Standard / T-Stop / Boxer 20.7 mm guide rail, adjustable holding force, can be switched on and off, can be overridden		071924
Guide rail mounting plate for standard / Ecline / T-Stop / EFS guide rail	silver-coloured	001512
Guide rail mounting plate for E-guide rail	silver-coloured	123294

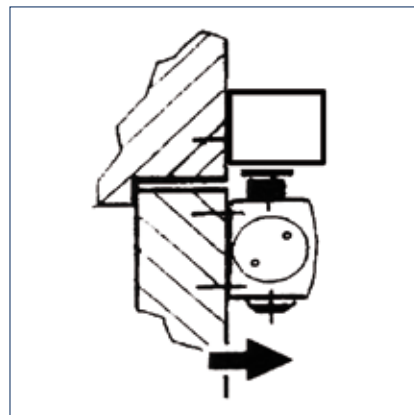
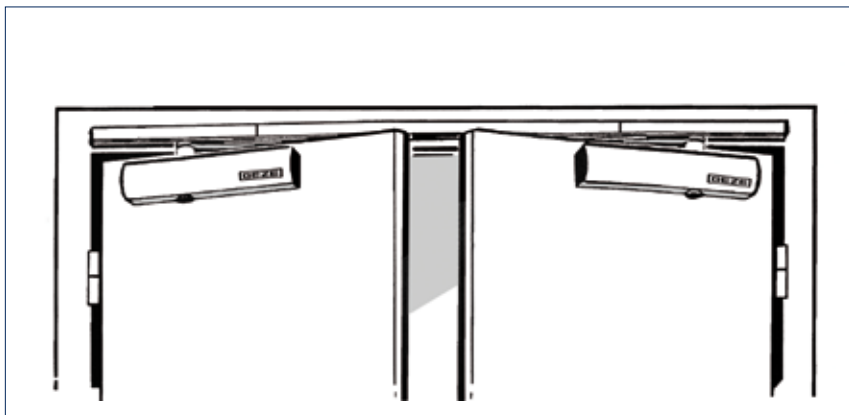
Note: See our system catalogues for further accessories and colour variants.

GEZE INSTALLATION OPTIONS

GEZE TS 5000 ISM / E-ISM / R-ISM / ISM-EFS / R-ISM-EFS

Door leaf installation hinge side, double-leaf

TS 5000 Door leaf installation/hinge side, double-leaf



Application range

- Closing force 2-6 according to EN 1154, leaf width up to 1400 mm
- Can be used for doors mounted on the right or left without conversion
- For fireproof doors (door closer with mounting plate)

Order information

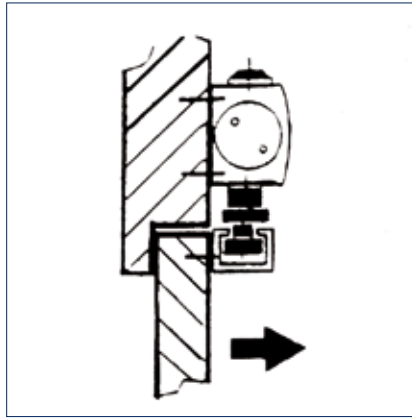
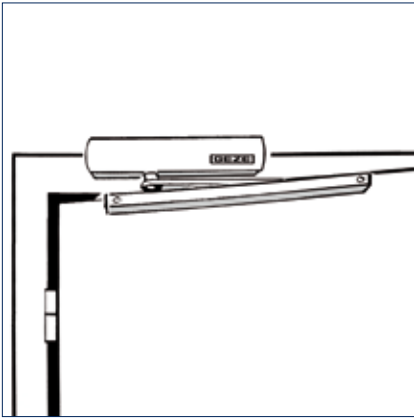
Description	Version	ID.No.
GEZE TS 5000 Closer Size EN 2-6, with back check (without guide rail and lever)	silver-coloured	027333
GEZE TS 5000 E-HY Closer Size EN 2-5, door leaf installation on the hinge side, with electric freeswing function for freeswing function (with guide rail and lever)	silver-coloured	121389
TS 5000 ISM guide rail continuous, with integrated closing sequence control and levers	silver-coloured	115549
ISM-EFS guide rail TS 5000 continuous, with integrated closing sequence control, freeswing lever on the active leaf, normal lever on the fixed leaf	silver-coloured	121449
E-ISM-guide rail TS 5000 continuous, with integrated closing sequence control, electric hold-open device and levers on both sides	silver-coloured	115600
R-ISM-guide rail TS 5000 continuous, with integrated closing sequence control, electric hold-open device, smoke switch control unit and levers on both sides	silver-coloured	115614
R-ISM-EFS-guide rail TS 5000 continuous, with integrated closing sequence control, smoke switch control unit, freeswing lever on the active leaf, normal lever on the fixed leaf	silver-coloured	121453
Accessories		
Mechanical hold-open unit for ISM-guide rail, retention force adjustable, can be overridden		118437
Guide rail mounting plate for ISM / E-ISM-guide rail	silver-coloured	118702
Guide rail mounting plate for R-ISM-guide rail	silver-coloured	118690
Mounting plate door closer for TS 5000/TS 4000 with hole pattern according to DIN EN 1154 Supplement 1	silver-coloured	049185
Mounting plate door closer for TS 5000 EFS/RFS/E-HY / TS 4000 E with hole pattern according to DIN EN 1154 Supplement 1	silver-coloured	059107

Note: See our system catalogues for further accessories and colour variants.

GEZE TS 5000 L

Transom installation hinge side

TS 5000 L Transom installation/hinge side

**Application range**

- Closing force 2-6 according to EN 1154, leaf width up to 1400 mm
- Can be used for doors mounted on the right or left without conversion
- For fire protection doors with respective suitability certificate

Order information

Description	Version	ID.No.
GEZE TS 5000 L Closer Size EN 2-6, with back check (without guide rail and lever)	silver-coloured	027351
Guide rail TS 5000/TS 3000 Standard, with lever	silver-coloured	068221
Accessories		
Mechanical hold-open unit for Standard / T-Stop / Boxer 20.7 mm guide rail, adjustable holding force, can be switched on and off, can be overridden		071924
Guide rail mounting plate for standard / ECLine / T-Stop / EFS guide rail	silver-coloured	001512
Mounting plate door closer for TS 5000/TS 4000 with hole pattern according to DIN EN 1154 Supplement 1	silver-coloured	049185

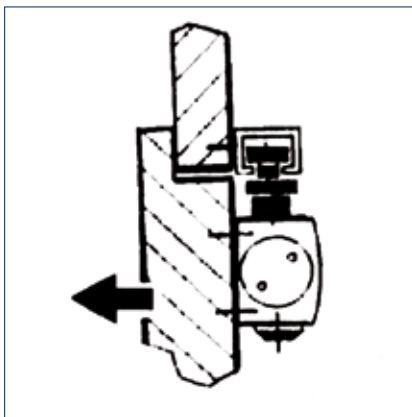
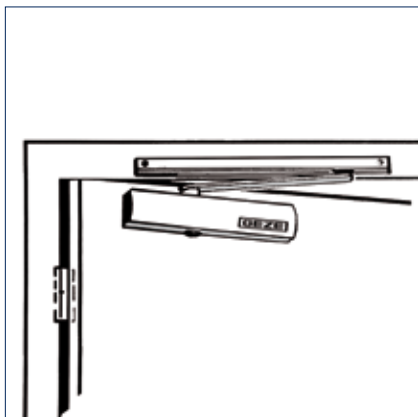
Note: See our system catalogues for further accessories and colour variants.

GEZE INSTALLATION OPTIONS

GEZE TS 5000 L / L-E / L-R

Door leaf installation opposite hinge side

TS 5000 L Door leaf installation/opposite hinge side



Application range

- Closing force 2-6 according to EN 1154, leaf width up to 1400 mm
- Can be used for doors mounted on the right or left without conversion
- For fireproof doors (door closer with mounting plate)

Order information

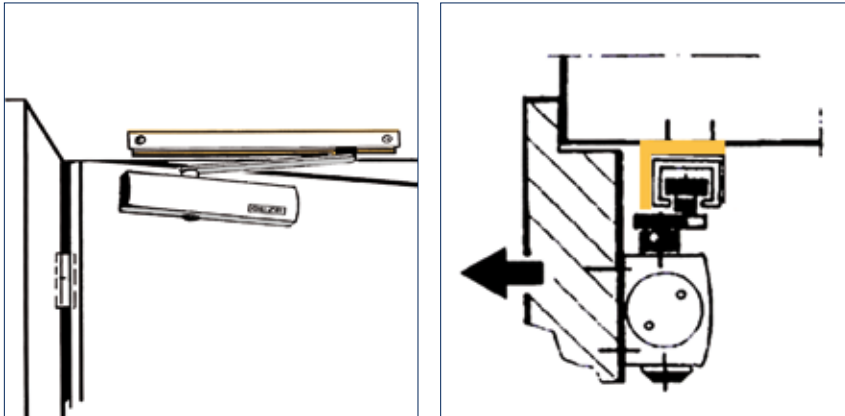
Description	Version	ID.No.
GEZE TS 5000 L Closer Size EN 2-6, with back check (without guide rail and lever)	silver-coloured	027351
Guide rail BG TS 5000/TS 3000 Standard, with lever, use with closer on leaf installation on the opposite hinge side	silver-coloured	025655
E-guide rail BG TS 5000 with electric hold-open device and lever	silver-coloured	120039
R-guide rail BG TS 5000 with electric hold-open device, integrated smoke switch control unit and lever	silver-coloured	120073
Accessories		
Mechanical hold-open unit for Standard / T-Stop / Boxer 20.7 mm guide rail, adjustable holding force, can be switched on and off, can be overridden		071924
Mounting plate guide rail BG for E-guide rail	silver-coloured	123289
Mounting plate guide rail BG for R-guide rail	silver-coloured	123311
Mounting plate guide rail BG for standard / Ecline / T-Stop / EFS guide rail	silver-coloured	124683
Mounting plate door closer for TS 5000/TS 4000 with hole pattern according to DIN EN 1154 Supplement 1	silver-coloured	049185

Note: See our system catalogues for further accessories and colour variants.

GEZE TS 5000 L / L-E / L-R

Door leaf installation opposite hinge side with lintel casing bracket

TS 5000 L Kopfmontage/Bandgegenseite Sturzfutterwinkel



Application range

- Closing force 2-6 according to EN 1154, leaf width up to 1400 mm
- Can be used for doors mounted on the right or left without conversion
- For fireproof doors (door closer with mounting plate)
- Note for emergency exit routes, restriction of passage height by approx. 40 mm

Order information

Description	Version	ID.No.
GEZE TS 5000 L Closer Size EN 2-6, with back check (without guide rail and lever)	silver-coloured	027351
Guide rail BG TS 5000/TS 3000 Standard, with lever, use with closer on leaf installation on the opposite hinge side	silver-coloured	025655
E-guide rail BG TS 5000 with electric hold-open device and lever	silver-coloured	120039
R-guide rail BG TS 5000 with electric hold-open device, integrated smoke switch control unit and lever	silver-coloured	120073
Accessories		
Mechanical hold-open unit for Standard / T-Stop / Boxer 20.7 mm guide rail, adjustable holding force, can be switched on and off, can be overridden		071924
Mounting plate door closer for TS 5000/TS 4000 with hole pattern according to DIN EN 1154 Supplement 1	silver-coloured	049185
Lintel casing bracket guide rail BG for standard guide rail	silver-coloured	025657
Lintel casing bracket guide rail BG for E-guide rail	silver-coloured	123322
Lintel casing bracket guide rail BG for R-guide rail	silver-coloured	123324

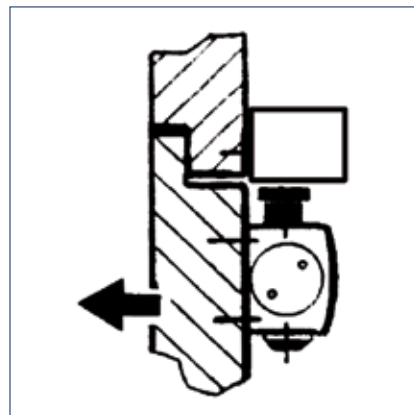
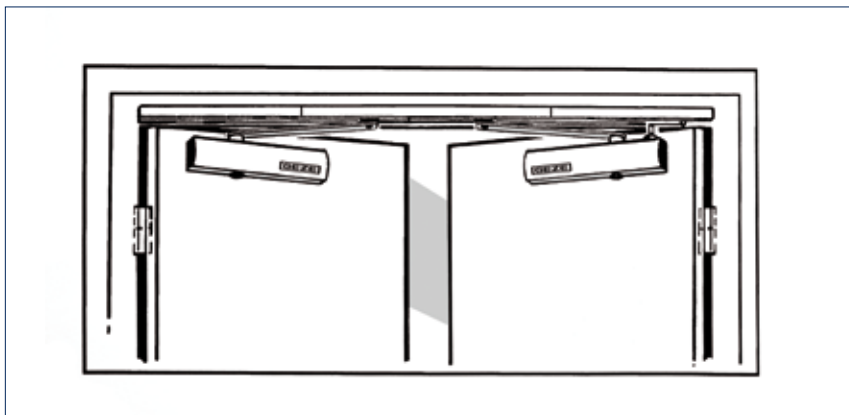
Note: See our system catalogues for further accessories and colour variants.

GEZE INSTALLATION OPTIONS

GEZE TS 5000 L-ISM / L-E-ISM / L-R-ISM / L-ISM VPK / L-E-ISM VP / L-R-ISM VP

Door leaf installation opposite hinge side, double-leaf

TS 5000 L Door leaf installation/opposite hinge side



Application range

- Closing force 2-6 according to EN 1154, leaf width up to 1400 mm
- Can be used for doors mounted on the right or left without conversion
- For fireproof doors (door closer with mounting plate)

Order information

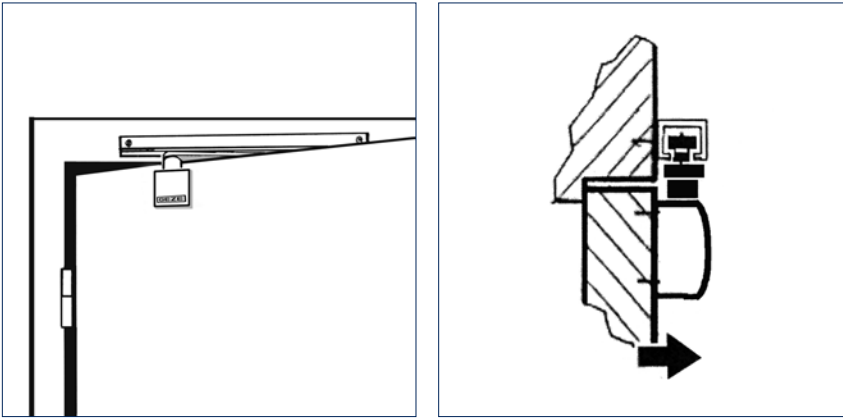
Description	Version	ID.No.
GEZE TS 5000 L Closer Size EN 2-6, with back check (without guide rail and lever)	silver-coloured	027351
ISM-guide rail BG TS 5000 continuous, with integrated closing sequence control and levers	silver-coloured	115594
ISM-guide rail BG VPK TS 5000 complete package System solution for general use on full panic doors comprising 1 x TS 5000 L, 1 x TS 5000 L-IS, 1 x ISM BG guide rail, continuous, with integrated release mechanism and levers	silver-coloured	133093
E-ISM-guide rail BG TS 5000 continuous, with integrated closing sequence control, electric hold-open device and levers on both sides	silver-coloured	115608
E-ISM-guide rail BG VP TS 5000 continuous, with integrated closing sequence control, electric hold-open device and levers on both sides, especially for full panic doors. Note: maximum X-dimension (centre of hinge – contact area of guide rail) 100 mm including mounting plate	silver-coloured	133667
R-ISM-guide rail BG TS 5000 continuous, with integrated closing sequence control, electric hold-open device, smoke switch control unit and levers on both sides	silver-coloured	115622
R-ISM-guide rail BG VP TS 5000 continuous, with integrated closing sequence control, electric hold-open device and levers on both sides, smoke switch control unit and levers, especially for full panic doors. Note: maximum X-dimension (centre of hinge – contact area of guide rail) 100mm including mounting plate	silver-coloured	133711
Accessories		
Mounting plate guide rail BG for ISM / E-ISM / R-ISM-guide rail BG & VP versions	silver-coloured	118704
Mounting plate guide rail BG for ISM-BG VPK guide rail	silver-coloured	139757
Mounting plate door closer for TS 5000/TS 4000 with hole pattern according to DIN EN 1154 Supplement 1	silver-coloured	049185
Lintel casing bracket guide rail BG for ISM / E-ISM / R-ISM-guide rail BG	silver-coloured	118706
Lintel casing bracket guide rail BG for ISM / E-ISM / R-ISM-guide rail VP	silver-coloured	134816
Lintel casing bracket guide rail BG for ISM-BG VPK guide rail	silver-coloured	139710

Note: See our system catalogues for further accessories and colour variants.

GEZE T-Stop guide rail with pivot bearing

Door leaf installation hinge side

T-Stop guide rail pivot bearing door leaf installation hinge side



Application range

- Opening restrictor for single-action doors without door closers
- Can be used for doors mounted on the right or left without conversion

Order information

Description	Version	ID.No.
Pivot bearing for T-Stop guide rail supported	silver-coloured	112688
T-Stop guide rail TS 5000/TS 3000 with integrated opening restrictor and lever	silver-coloured	102363
Accessories		
Mechanical hold-open unit for Standard / T-Stop / Boxer 20.7 mm guide rail, adjustable holding force, can be switched on and off, can be overridden		071924
Guide rail mounting plate for standard / ECLine / T-Stop / EFS guide rail	silver-coloured	001512

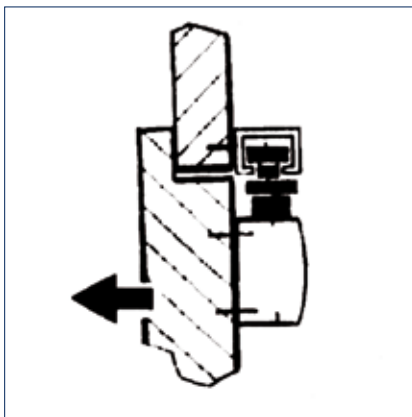
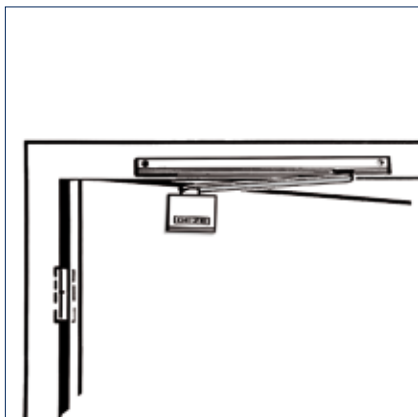
Note: See our system catalogues for further accessories and colour variants.

GEZE INSTALLATION OPTIONS

GEZE T-Stop guide rail with pivot bearing

Door leaf installation opposite hinge side

T-Stop guide rail pivot bearing door leaf installation/opposite hinge side



Application range

- Opening restrictor for single-action doors without door closers
- Can be used for doors mounted on the right or left without conversion
- Installation with lintel casing bracket possible

Order information

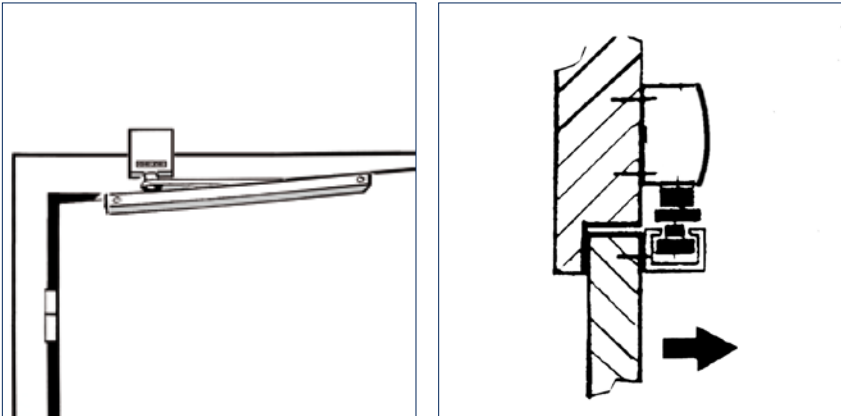
Description	Version	ID.No.
Pivot bearing for T-Stop guide rail supported	silver-coloured	112688
T-Stop guide rail BG TS 5000/TS 3000 with integrated opening restrictor and lever, use with closer on leaf installation on the opposite hinge side or with pivot bearing in leaf and transom installation opposite hinge side	silver-coloured	102366
Accessories		
Mechanical hold-open unit for Standard / T-Stop / Boxer 20.7 mm guide rail, adjustable holding force, can be switched on and off, can be overridden		071924
Mounting plate guide rail BG for standard / ELine / T-Stop / EFS guide rail	silver-coloured	124683
Lintel casing bracket guide rail BG for ELine and T-Stop guide rail	silver-coloured	115006

Note: See our system catalogues for further accessories and colour variants.

GEZE T-Stop guide rail with pivot bearing

Transom installation hinge side

T-Stop guide rail pivot bearing transom installation/hinge side



Application range

- Opening restrictor for single-action doors without door closers
- Can be used for doors mounted on the right or left without conversion
- Variant transom installation opposite hinge side possible

Order information

Description	Version	ID.No.
Pivot bearing for T-Stop guide rail supported	silver-coloured	112688
T-Stop guide rail TS 5000/TS 3000 with integrated opening restrictor and lever	silver-coloured	102363
Accessories		
Mechanical hold-open unit for Standard / T-Stop / Boxer 20.7 mm guide rail, adjustable holding force, can be switched on and off, can be overridden		071924
Guide rail mounting plate for standard / ECLine / T-Stop / EFS guide rail	silver-coloured	001512

Note: See our system catalogues for further accessories and colour variants.

GEZE GmbH
P.O. Box 1363
71226 Leonberg
Germany

GEZE GmbH
Reinhold-Vöster-Straße 21-29
71229 Leonberg
Germany
Telefon +49 (0) 7152-203-0
Telefax +49 (0) 7152-203-310

www.geze.com

Germany
 GEZE Sonderkonstruktionen GmbH
 Planken 1
 97944 Boxberg-Schweigern
 Tel. +49 (0) 7930-92 94-0
 Fax +49 (0) 7930-92 94-10
 E-Mail: sk.de@geze.com

GEZE GmbH
 Niederlassung Nord/Ost
 Bühringstraße 8
 13086 Berlin (Weissensee)
 Tel. +49 (0) 30-47 89 90-0
 Fax +49 (0) 30-47 89 90-17
 E-Mail: berlin.de@geze.com

GEZE GmbH
 Niederlassung West
 Nordsternstraße 65
 45329 Essen
 Tel. +49 (0) 201-83 082-0
 Fax +49 (0) 201-83 082-20
 E-Mail: essen.de@geze.com

GEZE GmbH
 Niederlassung Mitte
 Adenauerallee 2
 61440 Oberursel (b. Frankfurt)
 Tel. +49 (0) 6171-63 610-0
 Fax +49 (0) 6171-63 610-1
 E-Mail: frankfurt.de@geze.com

GEZE GmbH
 Niederlassung Süd
 Breitwiesenstraße 8
 71229 Leonberg
 Tel. +49 (0) 7152-203-594
 Fax +49 (0) 7152-203-438
 E-Mail: leonberg.de@geze.com

GEZE Service GmbH NL Südwest
 Reinhold-Vöster-Straße 25
 71229 Leonberg
 Tel. +49 (0) 7152-92 33 34

GEZE Service GmbH NL Nord-Ost
 Bühringstraße 8
 13086 Berlin (Weissensee)
 Tel. +49 (0) 30-47 02 17 32

GEZE Service GmbH NL West
 Nordsternstraße 65
 45329 Essen
 Tel. +49 (0) 201-8 30 82 16

GEZE Service GmbH NL Mitte
 Feldbergstraße 59
 61440 Oberursel
 Tel. +49 (0) 6171-63 327-0

GEZE Service GmbH NL Süd
 Parking 17
 85748 Garching bei München 1
 Tel. +49 (0) 89-120 07 42-0

Austria
 GEZE Austria
 Wiener Bundesstrasse 85
 A-5300 Hallwang
 Tel: +43/6225/87180
 Fax: +43/6225/87180-299
 E-Mail: austria.at@geze.com

Baltic States
 GEZE GmbH Baltic States office
 Dzelzavas iela 120 S
 1021 Riga
 Tel. +371 (0) 67 89 60 35
 Fax +371 (0) 67 89 60 36
 E-Mail: office-latvia@geze.com

Benelux
 GEZE Benelux B.V.
 Leemkuil 1
 Industrieterrein Kapelbeemd
 5626 EA Eindhoven
 Tel. +31 (0) 40-26 290-80
 Fax +31 (0) 40-26 290-85
 E-Mail: benelux.nl@geze.com

Bulgaria
 GEZE Bulgaria - Trade
 Representative Office
 61 Pirinski Prohod, entrance „B“,
 4th floor, office 5,
 1680 Sofia
 Tel. +359 (0) 24 70 43 73
 Fax +359 (0) 24 70 62 62
 E-Mail: office-bulgaria@geze.com

China
 GEZE Industries (Tianjin) Co., Ltd.
 Shuangchengzhong Road
 Beichen Economic Development
 Area (BEDA)
 Tianjin 300400, P.R. China
 Tel. +86 (0) 22-26 97 39 95-0
 Fax +86 (0) 22-26 97 27 02
 E-Mail: Sales-info@geze.com.cn

GEZE Industries (Tianjin) Co., Ltd.
 Branch Office Shanghai
 Unit 25N, Cross Region Plaza
 No 899, Ling Ling Road,
 XuHui District
 200030 Shanghai, P.R. China
 Tel. +86 (0) 21-523 40 960
 Fax +86 (0) 21-644 72 007
 E-Mail: chinasales@geze.com.cn

GEZE Industries (Tianjin) Co., Ltd.
 Branch Office Guangzhou
 Room 17C3
 Everbright Bank Building, No.689
 Tian He Bei Road
 510630 Guangzhou
 P.R. China
 Tel. +86 (0) 20-38 73 18 42
 Fax +86 (0) 20-38 73 18 34
 E-Mail: chinasales@geze.com.cn

GEZE Industries (Tianjin) Co., Ltd
 Branch Office Beijing
 Room 1001, Tower D
 Sanlitun SOHO
 No. 8, Gongti North Road,
 Chaoyang District
 100027 Beijing, P.R.China
 Tel. +86 (0) 10-59 35 93 00
 Fax +86 (0) 10-59 35 93 22
 E-Mail: chinasales@geze.com.cn

France
 GEZE France S.A.R.L.
 ZAC de l'Orme Rond
 RN 19
 77170 Servon
 Tel. +33 (0) 1 60 62 60 70
 Fax +33 (0) 1 60 62 60 71
 E-Mail: france.fr@geze.com

Hungary
 GEZE Hungary Kft.
 Bartók Béla út 105-113.
 Budapest
 H-1115
 Tel. +36 (1) 481 4670
 Fax +36 (1) 481 4671
 E-Mail: office-hungary@geze.com

Iberia
 GEZE Iberia S.R.L.
 Pol. Ind. El Pla
 C/Comerc, 2-22, Nave 12
 08980 Sant Feliu de Llobregat
 (Barcelona)
 Tel. +34 9-02 19 40 36
 Fax +34 9-02 19 40 35
 E-Mail: info@geze.es

India
 GEZE India Private Ltd.
 MF 2 & 3, Guindy Industrial Estate
 Ekkattuthangal
 Chennai 600 097
 Tamilnadu
 Tel. +91 (0) 44 30 61 69 00
 Fax +91 (0) 44 30 61 69 01
 E-Mail: office-india@geze.com

Italy
 GEZE Italia Srl
 Via Giotto, 4
 20040 Cambiago (MI)
 Tel. +39 (0) 29 50 695-11
 Fax +39 (0) 29 50 695-33
 E-Mail: italia.it@geze.com

GEZE Engineering Roma Srl
 Via Lucrezia Romana, 91
 00178 Roma
 Tel. +39 (0) 6-72 65 311
 Fax +39 (0) 6-72 65 3136
 E-Mail: roma@geze.biz

Poland
 GEZE Polska Sp.z o.o.
 ul. Annapol 21
 03-236 Warszawa
 Tel. +48 (0) 22 440 4 440
 Fax +48 (0) 22 440 4 400
 E-Mail: geze.pl@geze.com

Romania
 GEZE Romania s.r.l.
 IRIDE Business Park,
 Str. Dimitrie Pompeiu nr. 9-9a,
 Building 10, Level 2, Sector 2,
 020335 Bucharest
 Tel.: +40 (0) 21 25 07 750
 Fax: +40 (0) 21 25 07 750
 E-Mail: office-romania@geze.com

Russian Federation
 GEZE GmbH Representative
 Office Russia
 Gamsonovskiy Per. 2
 115191 Moskau
 Tel. +7 (0) 495 933 06 59
 Fax +7 (0) 495 933 06 74
 E-Mail: office-russia@geze.com

Scandinavia – Sweden
 GEZE Scandinavia AB
 Mallslingan 10
 Box 7060
 18711 Täby, Sweden
 Tel. +46 (0) 8-7323-400
 Fax +46 (0) 8-7323-499
 E-Mail: sverige.se@geze.com

Scandinavia – Norway
 GEZE Scandinavia AB avd. Norge
 Industriveien 34 B
 2073 Dal
 Tel. +47 (0) 639-57 200
 Fax +47 (0) 639-57 173
 E-Mail: norge.se@geze.com

Scandinavia – Finland
 Branch office of GEZE Scandinavia AB
 Herralantie 824
 Postbox 20
 15871 Hollola
 Tel. +358 (0) 10-40 05 100
 Fax +358 (0) 10-40 05 120
 E-Mail: finland.se@geze.com

Scandinavia – Denmark
 GEZE Danmark
 Branch office of GEZE Scandinavia AB
 Märkærvej 13 J-K
 2630 Taastrup
 Tel. +45 (0) 46-32 33 24
 Fax +45 (0) 46-32 33 26
 E-Mail: danmark.se@geze.com

Singapore
 GEZE (Asia Pacific) Pte. Ltd.
 21 Bukit Batok Crescent
 #23-75 Wcega Tower
 Singapore 658065
 Tel: +65 6846 1338
 Fax: +65 6846 9353
 E-Mail: gezesea@geze.com.sg

South Africa
 DCLSA Distributors (Pty.) Ltd.
 118 Richards Drive, Halfway House,
 Ext 111
 P.O. Box 7934, Midrand 1685
 Tel. +27 (0) 1131 58 286
 Fax +27 (0) 1131 58 261
 E-Mail: info@dclsa.co.za

Switzerland
 GEZE Schweiz AG
 Bodenackerstrasse 79
 4657 Dulliken
 Tel. +41 (0) 62 285 54 00
 Fax +41 (0) 62 285 54 01
 E-Mail: schweiz.ch@geze.com

Turkey
 GEZE GmbH Türkiye - İstanbul
 İrtibat Bürosu
 Ataşehir Bulvarı, Ata 2/3
 Plaza Kat: 9 D: 84 Ataşehir
 Kadıköy / İstanbul
 Tel. + 90 (0) 21 64 55 43 15
 Fax + 90 (0) 21 64 55 82 15
 E-Mail: office-turkey@geze.com

Ukraine
 GEZE Ukraine TOV
 ul. Viskoznaya, 17,
 Building 93-B, Office 12
 02660 Kiev
 Tel./Fax +38 (0) 44 501 22 25
 E-Mail: office-ukraine@geze.com

United Arab Emirates/GCC
 GEZE Middle East
 P.O. Box 17903
 Jebel Ali Free Zone
 Dubai
 Tel. +971 (0) 4-88 33 112
 Fax +971 (0) 4-88 33 240
 E-Mail: geze@emirates.net.ae

United Kingdom
 GEZE UK Ltd.
 Blenheim Way
 Fradley Park
 Lichfield
 Staffordshire WS13 8SY
 Tel. +44 (0) 1543 44 30 00
 Fax +44 (0) 1543 44 30 01
 E-Mail: info.uk@geze.com

GEZE REPRESENTATIVE