



GEZE TSA 325 NT REVOLVING DOORS
FOR MANUAL AND AUTOMATIC OPERATION



CONTENTS

GEZE revolving door systems	4
Overview of revolving door systems	5
General information (Types of drive, number of door leaves, passage capacity)	6
GEZE TSA 325 NT BO	9
GEZE TSA 325 NT RC2	12
GEZE TSA 325 NT GG	14
Operating automatic revolving doors	16
Securing automatic revolving doors	17
Service Tools	18
Installation drawings TSA 325 NT	19
Cable plan	24
References	25

GEZE revolving door systems

Focal point of the entrance area

The entrance area is the face of the building and thus of the enterprise. Therefore it is imperative to validate the positive visual impression through the faultless function of the door system even in the case of high access frequency. GEZE revolving doors meet these requirements and enthral planners, owners and users of buildings. Revolving door systems of the type TSA 325 NT enables large numbers of people passing through them easily and combines convenient passage with first-class design. Prestigious buildings all over the world are equipped with tailor-made entrance solutions from GEZE Sonderkonstruktionen.

Advantages at a glance:

- Individual planning and production for every building
- TÜV type-tested according to DIN 18650 in all versions
- Effective protection against draughts, the weather and noise
- Suitable for large numbers of visitors
- Prestigious entrance with excellent visual effect
- Emphasis on transparency with the glass roof variant
- High-quality materials and state-of-the-art control technology guarantee high efficiency
- Straightforward installation due to a high degree of prefabrication ex works
- Simple and effective parameter setting and after-sales service with the GEZEconnects software

TSA 325 NT: Standard drive for the manual or automatic operation of revolving door systems

TSA 325 NT BO: Revolving door system for use in escape and rescue routes with break-out door leaves

TSA 325 NT RC2: Burglary-resistant revolving door system with automatic night-time closer

TSA 325 NT GG: All-glass revolving door system for maximum transparency



Ørstedhus, Kopenhagen, Denmark (Photo: Morten Bak)

Overview of revolving door systems

Product features	TSA 325 NT	TSA 325 NT BO	TSA 325 NT RC2	TSA 325 NT GG
Manual operation	•	-	-	•
With speed limiter (optional)	•	-	-	•
With positioning device (optional)	•	-	-	•
Fully automatic operation	•	•	•	•
Servo function	•	-	-	•
Suitability for escape and rescue routes	-	•	-	-
Break-out function (BO)	-	•	-	-
Inner diameter (min.)	1800 mm		2500 mm	1800 mm
Inner diameter (max.)	3600 mm		3400 mm	3000 mm
For 3-leaf door systems	•	•	•	•
For 4-leaf door systems	•	•	•	•
Clear passage height*	3000 mm			
Canopy height (min.)	200 mm			17 mm
Side elements version	10 mm VSG, 22 mm panel lining, Special glass on request		10 mm VSG, Special glass on request	16 mm GG, Special glass on request
Surfaces	powder-coated according to RAL, anodised light alloy E6/EV1, coated with grit 240 stainless steel, coated with polished stainless steel, special coating on request		powder-coated according to RAL, anodised light alloy E6/EV1, special coating on request	powder-coated according to RAL, anodised light alloy E6/EV1, coated with grit 240 stainless steel, coated with polished stainless steel, special coating on request
Version of roof structure	as dust protection roof with wood covering, optical sheet metal covering, waterproof roof with waterspout		optical sheet metal covering, waterproof roof with waterspout	glass roof
Illumination	with roof variant			not possible with glass roof
Floor covering	Scrapper mat			
Hot-air curtain system	electric air curtain, hot water air curtain, possible, depends on the ceiling construction			on request
Night-time closer layout	inside, outside		inside	outside
Night-time closer type	manual / automatic		automatic	manual
Night-time closer design	10 mm VSG, 22 mm ISO glass, 22 mm panel lining, special glass on request		10 mm VSG, Special glass on request	10 mm VSG
Locking mechanism	manual, rod, electromechanical		rod	manual
Door handles horizontal or vertical	•	•	•	•
Floor ring	•	•	•	•
Underfloor operator	•	-	-	•
Disabled person's button	•	•	•	•
Approvals	DIN 18650			

- = YES
- = NOT AVAILABLE
- * = HIGHER ON REQUEST

General information

Types of drive, number of door leaves, passage capacity, dimensions, passage clearances, minimum canopy heights

TYPES OF DRIVE

Manual revolving door

Manual revolving doors are used with a diameter of approx. 3000 mm for buildings with a limited flow of visitors. Larger diameters are possible (up to max. 3600 mm), however, the comfort of use is considerably reduced due to the increased exertion of force and the increased friction of the brushes. Manually operated revolving doors are available in 3- and 4-leaf versions, each of which is possible as an all-glass variant. The doors can be operated by slightly pushing them. Safety features are not necessary in accordance with DIN 18650. There are two operating modes available: „Locked“ and „Manual“.

Option: Speed limiter

The optional speed limiter counteracts a further increase in peripheral speed as soon as the top limiting speed has been reached.

Option: Positioning device

The optional positioning device with a motor in the ceiling or the floor returns the door to the initial position with a minimum of force after manual operation ready for the next visitor. The door is thus always in the final position and leaves a well-ordered optical impression.

Automatic revolving door with servo function

This variant provides more convenient passage than a manual door because the turnstile starts automatically. In order to reach walking speed, the turnstile can be overridden by hand. After the door has been passed, it revolves slowly to the final position. The speeds are limited such that the specifications of „low-energy operation“ in accordance with DIN 18650 are kept.

Fully automatic revolving door

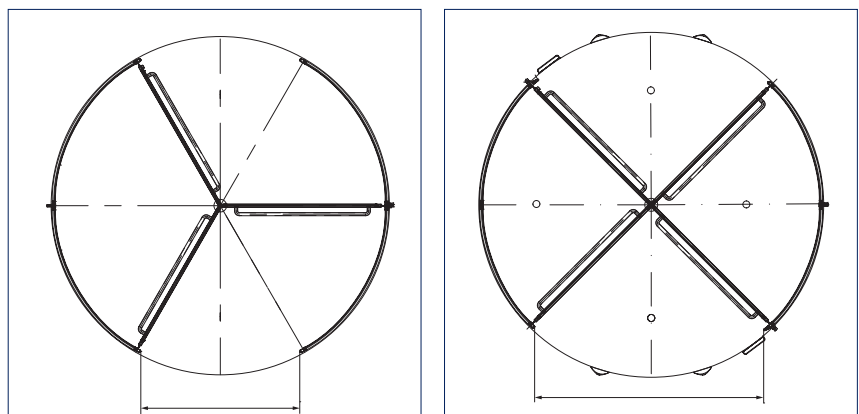
The fully automatic door with movement detectors is suited for high access frequency. Thus this revolving door offers maximum comfort and smooth and trouble-free passage. These door systems can be produced up to a maximum inner diameter of 3600 mm. The automatic revolving door is activated via inside and outside movement detectors. Upon activation the door accelerates and rotates at an automatic speed. The automatic speed is adjustable and the time delay can be freely adjusted for the modes of operation „summer“ (longer delay) and „winter“ (no delay). As further option a „disabled person's button“ can be installed on the inside and outside of the door. When this switch is actuated, the revolving speed is reduced to allow wheelchair users or people who have difficulty walking to pass through the revolving door without any problems. This reduced speed can also be adjusted. At the end of the time delay the revolving door reduces speed in all operating modes and stops in the final position, where the door leaves seal tightly against the side walls, thus leaving all environmental influences such as draughts, exhaust gases from vehicles, cold and noise outside the building.

NUMBER OF DOOR LEAVES

The decision for a revolving door with 3 or 4 leaves

The revolving door with 3 leaves has a slightly reduced passage capacity. However, it offers higher comfort in use, since there is significantly more space between the door leaves. This higher comfort mainly accommodates people with restricted mobility who cannot adapt themselves easily to the speed of the revolving door. This type of door is first choice for shopping centres. The inner width of the door is smaller than that of a 4-leaf revolving door with the same diameter.

The 4-leaf revolving door is the classic version with the highest capacity, suited for two-way traffic and large streams of visitors. Due to the symmetric construction, the drum of the revolving door is closed by two leaves, which results in an improved protection against environmental influences and an improved air trap effect. This type of door has a larger opening width and is optically very attractive due to its symmetrical form.

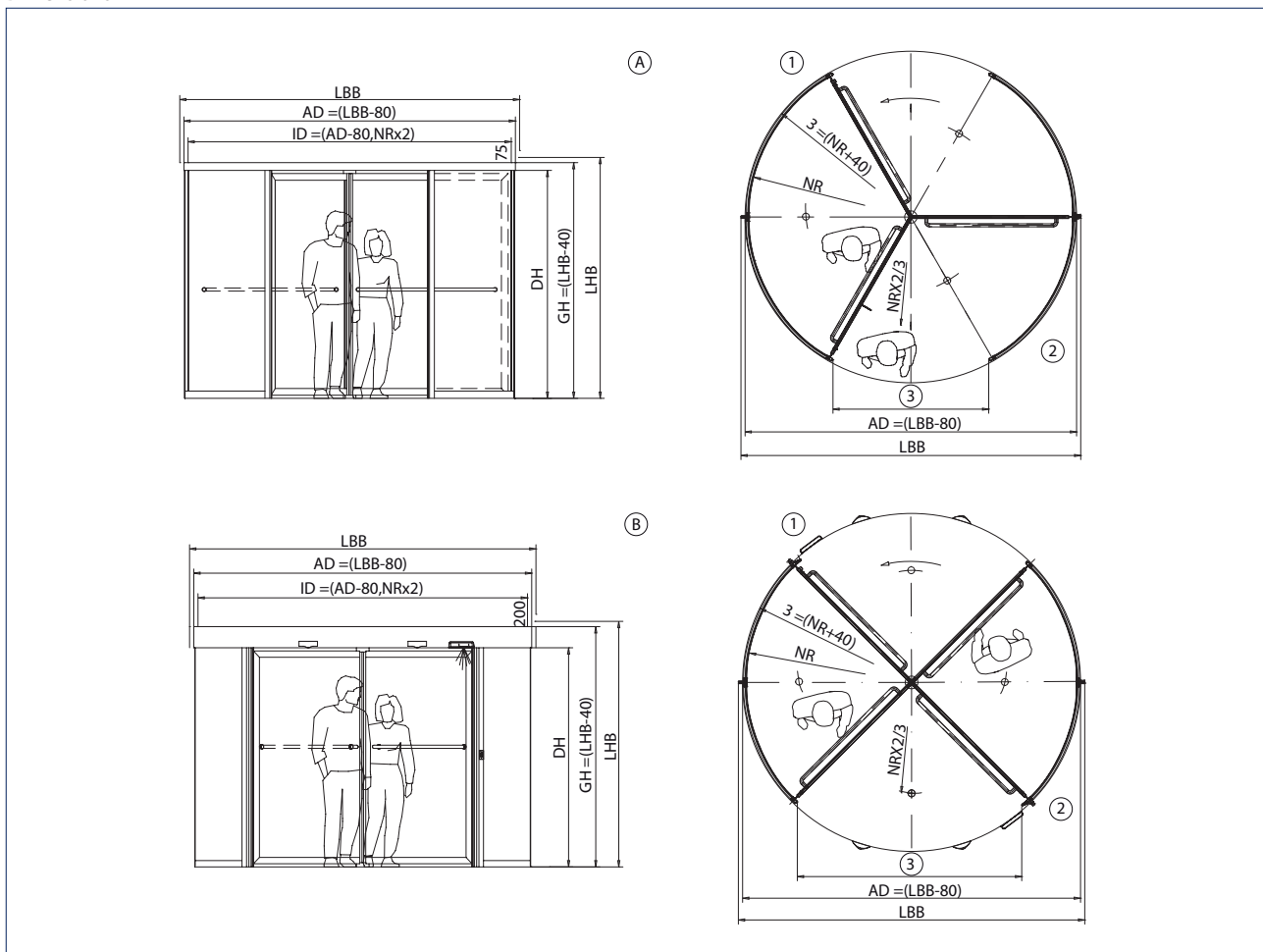


PASSAGE CAPACITY

Inner diameter (exemplary)	3-leaf		4-leaf	
	Capacity persons/hour	Persons/minute	Capacity persons/hour	Persons/minute
2000 mm	1203	20	1604	26
2400 mm	1002	16	1336	22
2800 mm	1718	28	2291	38
3200 mm	2256	37	3008	50
3600 mm	2005	33	2673	44

All stated values refer to the maximum capacity in one direction and a peripheral speed of 0.7 m/s

Dimensions



- A = Illustration: manual version, 3-leaf
- B = Illustration: manual version, 4-leaf
- LBB = Clear width
- AD = Outer diameter
- ID = Inner diameter
- DH = Clear passage height
- GH = Overall height system
- LHB = Clear height
- NR = Nominal radius
- 1 = Inside
- 2 = Outside
- 3 = Clear passage clearance

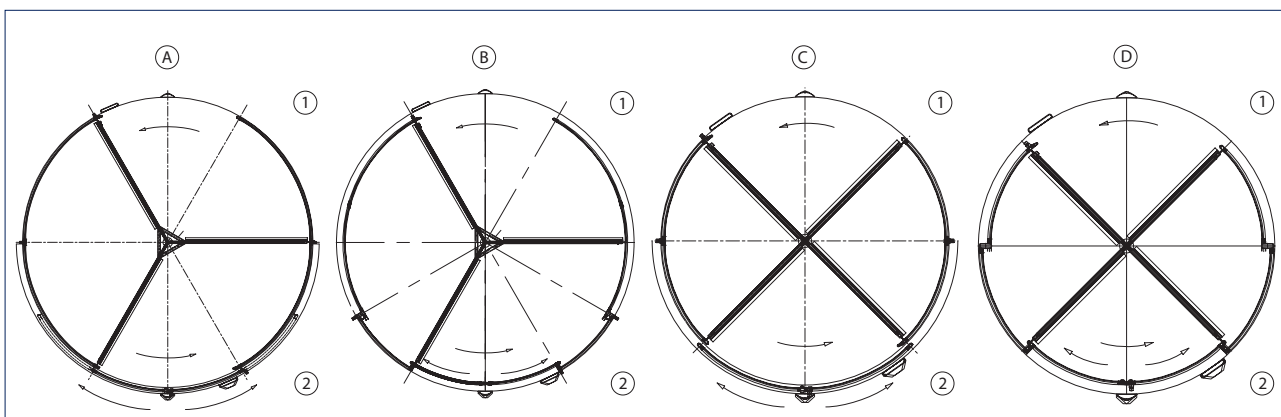
GEZE TSA 325 NT

Passage clearances for manual revolving doors

	3-leaf	4-leaf
Inner diameter (exemplary)	Glass in frame	Glass in frame
2000 mm	945 mm	1370 mm
2400 mm	1145 mm	1652 mm
2800 mm	1345 mm	1934 mm
3200 mm	1545 mm	2216 mm
3600 mm	1745 mm	2498 mm

Passage clearances for automatic revolving doors

	3-leaf	4-leaf
Inner diameter (exemplary)	Glass in frame	Glass in frame
2000 mm	895 mm	1325 mm
2400 mm	1097 mm	1609 mm
2800 mm	1297 mm	1893 mm
3200 mm	1497 mm	2177 mm
3600 mm	1697 mm	2461 mm



- A = 3-leaf with outside-running night-time closer
- B = 3-leaf with inside-running night-time closer
- C = 4-leaf with outside-running night-time closer
- D = 4-leaf with inside-running night-time closer
- 1 = Inside
- 2 = Outside

GEZE revolving door drive TSA 325 NT BO

Break-out function for use in escape and rescue routes

The GEZE revolving door with BO function (Break-out function) is suited for use in escape and rescue routes. All leaves are pivoted and are mechanically held. Breaking out is possible at approx. 220 N (default for breakout force in accordance with DIN 18650 and AutSchR). The force can be adjusted at each individual leaf using customary tools. The adjustment can be made without the necessity of dismantling any components. The revolving door with BO function can be realised as a 3- or 4-leaf automatic door, but not in combination with the all-glass variant (GG). The minimum canopy height is 200 mm and a floor ring is always required. The width of the escape route depends on the number of leaves and the drum diameter. It must be taken into account that the maximum width of the escape route can only be accomplished if the leaves are folded away to form a package and turned to the side.

TSA 325 NT BO



GEZE GmbH, Leonberg, Germany (Photo: Martin Jakop)

Application range

- Business buildings
- Public buildings
- Shopping centres
- Hotels and restaurants
- Administrative buildings
- Car dealerships
- Airports and railway stations

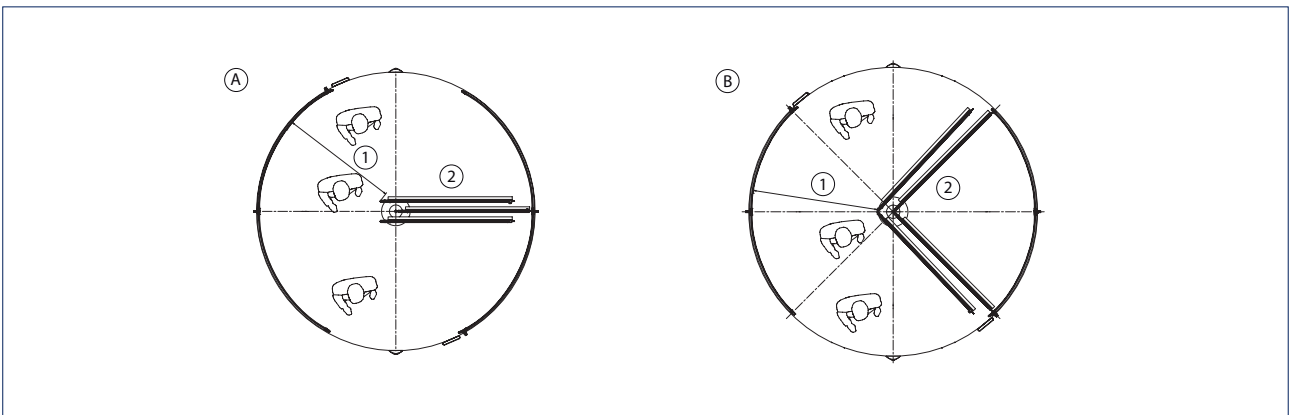
GEZE TSA 325 NT

Technical data

Product features	TSA 325 NT BO
Fully automatic operation	•
Suitability for escape and rescue routes	•
Break-out function (BO)	•
Inner diameter (min.)	1800 mm
Inner diameter (max.)	3600 mm
For 3-leaf door systems	•
For 4-leaf door systems	•
Clear passage height*	3000 mm
Canopy height (min.)	200 mm
Side elements version	10 mm VSG, 22 mm panel lining, special glass on request
Surfaces	powder-coated according to RAL, anodised light alloy E6/EV1, coated with grit 240 stainless steel, coated with polished stainless steel, special coating on request
Version of roof structure	as dust protection roof with wood covering, optical sheet metal covering, waterproof roof with waterspout
Illumination	with roof variant
Floor covering	scraper mat
Hot-air curtain system	electric air curtain, hot water air curtain, possible, depends on the ceiling construction
Night-time closer layout	inside, outside
Night-time closer type	manual, automatic
Night-time closer design	10 mm VSG, 22 mm ISO glass, 22 mm panel lining, Special glass on request
Locking mechanism	Rod, electromechanical
Door handles horizontal or vertical	•
Floor ring	•
Disabled person's button	•
Approvals	DIN 18650

- = YES
- = NOT AVAILABLE
- * = HIGHER ON REQUEST

TSA 325 NT BO variants



- A = 3-flügelig
- B = 4-leaf
- 1 = Width of escape route
- 2 = Leaves opened

Width of escape route

	3-leaf	4-leaf
Inner diameter	Width of escape route (FWB)	Width of escape route (FWB)
1800 mm	650 mm	660 mm
2000 mm	750 mm	760 mm
2200 mm	850 mm	860 mm
2400 mm	950 mm	960 mm
2600 mm	1050 mm *	1060 mm *
2800 mm	1150 mm *	1160 mm *
3000 mm	1250 mm *	1260 mm *
3200 mm	1350 mm *	1360 mm *
3400 mm	1450 mm *	1460 mm *
3600 mm	1550 mm *	1560 mm *

* = Suitable for escape and rescue routes

Breaking out of a leaf will result in immediate disconnection of the drive. Afterwards it is possible to rotate the leaves manually (even when broken out).

Due to the manual breaking out function the use of TSA 325 NT BO is limited to max. 220 N in areas with increased wind load. Depending on the diameter and the clear height, GEZE revolving doors can be used up to a wind speed of max. 6 Beaufort (Bft). This is equal to approx. 49 km/h. If the leaves are only used for ventilation and transport purposes, the break-out force can be increased, which will result in an increased break-out safety in the case of wind pressure.

To prevent people from entering the building through the folding leaves, two leaves must be locked at the minimum. This can be done as follows:

- Two electromechanical locking devices on the turnstile
- or
- Night-time closers on sliding doors (automatic or manual)

Note: The use of revolving doors in escape and rescue routes must be according to local safety regulations and planning laws.



IBM Ehningen, Germany (Photo: GEZE GmbH)

GEZE revolving door drive TSA 325 NT RC2

Burglary-resistant door system with automatic night-time closer

The burglar-resistant automatic revolving door system GEZE TSA 325 NT RC2 makes life difficult for burglars. It was specially developed for building entrances with increased safety requirements (component resistance class 2). An inner sliding door locking component as night time closure ensures increased resistance to forced entry. Automatic night-time closure provides increased convenience since manual locking is no longer required. The transparent appearance of the revolving door system is not affected by the RC2 functionality (use of standard profile systems).

TSA 325 NT RC2



BAU Trade Fair, GEZE booth, Munich, Germany (Photo: Lazaros Filoglou)

Application range

- Public buildings
- Government buildings
- Banks
- Insurance companies
- Large companies and stores with high-end ranges of products

Technical data

Product features	TSA 325 NT RC2
Fully automatic operation	●
Inner diameter (min.)	2500 mm
Inner diameter (max.)	3400 mm
For 3-leaf door systems	●
For 4-leaf door systems	●
Clear passage height*	3000 mm
Canopy height (min.)	200 mm
Side elements version	10 mm VSG, special glass on request
Surfaces	powder-coated according to RAL, anodised light alloy E6/EV1, special coating on request
Version of roof structure	optical sheet metal covering, waterproof roof with waterspout
Illumination	with roof variant
Floor covering	scraper mat
Hot-air curtain system	electric air curtain, hot water air curtain, possible, depends on the ceiling construction
Night-time closer layout	inside
Night-time closer type	automatic
Night-time closer design	10 mm VSG, special glass on request
Locking mechanism	rod
Door handles horizontal or vertical	●
Floor ring	●
Disabled person's button	●
Approvals	DIN 18650

- = YES
- * = HIGHER ON REQUEST

Note

The burglary-resistant function RC2 is only enabled in „Night“ operating mode.

GEZE revolving door drive TSA 325 NT GG

All-glass system for maximum transparency

Revolving door systems with the GEZE all-glass system offer maximum transparency. Here, the entire drive and control technology is concealed in the floor. The high-quality surface of the rounded-edge aluminium profiles which are reduced to a minimum imply discreet elegance. The drum walls of the all-glass revolving doors are made of curved laminated safety glass (VSG) and only the glass edges have slim cover profiles. The door leaves consist of fine-framed toughened safety glass (ESG) and two half-shells of heat strengthened glass (TVG) form the roof that is fixed by single point fixings made of stainless steel. GEZE realises individual, building-related revolving door solutions using the all-glass system in the standard variant width. Door systems with three and four leaves with clear passage heights of up to 3000 mm and freely selectable diameters of 1800 - 3300 mm can be realised as well as all mentioned types of drives.

TSA 325 NT GG



Vitra Haus, Weil am Rhein, Germany (Photo: Oliver Look)

Application range

- Business buildings
- Public buildings
- Shopping centres
- Hotels and restaurants
- Administrative buildings
- Car dealerships
- Airports and railway stations

Technical data

Product features	TSA 325 NT GG
Manual operation	•
With speed limiter (optional)	•
With positioning device (optional)	•
Fully automatic operation	•
Servo function	•
Inner diameter (min.)	1800 mm
Inner diameter (max.)	3000 mm
For 3-leaf door systems	•
For 4-leaf door systems	•
Clear passage height*	3000 mm
Canopy height (min.)	17 mm
Side elements version	16 mm GG, special glass on request
Surfaces	powder-coated according to RAL, anodised light alloy E6/EV1, coated with grit 240 stainless steel, coated with polished stainless steel, special coating on request
Version of roof structure	glass roof
Illumination	not possible with glass roof
Floor covering	scraper mat
Hot-air curtain system	on request
Night-time closer layout	outside
Night-time closer type	manual
Night-time closer design	10 mm VSG
Locking mechanism	manual
Door handles horizontal or vertical	•
Floor ring	•
Underfloor operator	•
Disabled person's button	•
Approvals	DIN 18650

- = YES
- = NOT AVAILABLE
- * = HIGHER ON REQUEST

Operating automatic revolving doors

Operating states

OFF

In the „OFF“ operating state the motor is switched off and the door can be rotated freely by hand. This operating state is especially suitable for maintenance and cleaning of the door. All actuation devices are switched off.

Night

In the „Night“ operating state a wide range of different locking options can be selected for the revolving door:

- No locking
- Manual locking of the door leaves using a bar lock
- Locking using the electromechanical disc brake
- Electromechanical locking of the door leaves
- Locking with manual night-time closer
- Locking with automatic night-time closer

Shop closing

In the „Shop closing“ operating state the door is actuated by the internal movement detector only. It revolves a preset number of sectors at automatic speed and then stops in the target position.

Automatic

All the connected pulse generators are active in the „Automatic“ operating mode. After actuation the door accelerates to a preset automatic speed, rotates the preset number of sectors and then changes over to a reduced speed. The slow revolving speed and time delay can be set. Pressing both arrow keys at the same time changes the system to „winter mode“. In this case, there is no time delay and the revolving door moves immediately to its final position. As an option, a disabled person's button can be connected. When this push button is actuated, the revolving speed is reduced so that people with restricted mobility can pass through the door without any problems. The revolving speed and time delay can also be set.

Manual

The revolving door can be rotated freely in manual operation. If no further functions are set, the „Manual“ operating mode is identical with the „OFF“ operating mode. The following option can be set here: A positioning device returns the door to the target position at slow speed after people have passed through the door. Safety functions can be deactivated.



Keypad programme switch with key push button (TPS-SCT)

Securing automatic revolving doors

Safety devices and sensors

Movement detectors inside and outside

The inside and outside movement detectors are fixed to the ceiling canopy and work on a radar basis. They are used as actuation devices for automatic revolving doors. The detection zone of the sensor can be set.

Front post safety sensor

The front post safety sensor is a presence detector that works on an active infrared basis. It monitors the area in front of the post by means of a light curtain which is only activated as one of the leaves of the revolving door approaches the post. The detection zone of the sensor can be set. Alternatively, a less complex sensor can be installed in the ceiling canopy. This simple sensor does not comply with DIN 18650 and is therefore not approved for use in Germany.

Emergency-off push button inside and outside

The emergency-off push button inside and outside is mounted to the static side part and triggers maximum braking in an emergency, which brings the revolving door to an immediate standstill. After it has been stopped, the door can be rotated or operated in both directions.

Keypad programme switch

The different operating modes of an automatic revolving door can be set using the keypad programme switch.

Key push button

The operation of the keypad programme switch can be prevented by installing a key push button.

Warning sign inside and outside

Warning signs must be attached to all revolving doors to make parents aware of their duty to take care of their children.

Disabled person's button

The disabled person's button is attached on the inside and outside of the static side part or nearby on the wall or façade. When the disabled person's button is actuated, the revolving speed of the door is reduced to allow people with restricted mobility to pass. The speed and duration of activation can be set.

Post safety

The post safety device is a rubber safety strip that is attached to the primary closing edge on the fixed side part of the revolving door. This safety strip triggers emergency braking of the door when contacted. When emergency braking is triggered, the revolving door is slowed down until standstill, remains stopped for an adjustable period and then continues its movement in the set operating mode and speed.

Heel protection strip

The heel protection strip is a rubber safety strip that is attached horizontally to the bottom of a revolving door leaf. It prevents an obstacle or a person being caught by the revolving door leaves. As soon as the safety strip makes contact with an obstacle or a person, emergency braking is triggered and the revolving door stops immediately. When emergency braking is triggered, the revolving door is slowed down until standstill, remains stopped for an adjustable period and then continues its movement in the set operating mode and speed.

Vertical safety contact strip

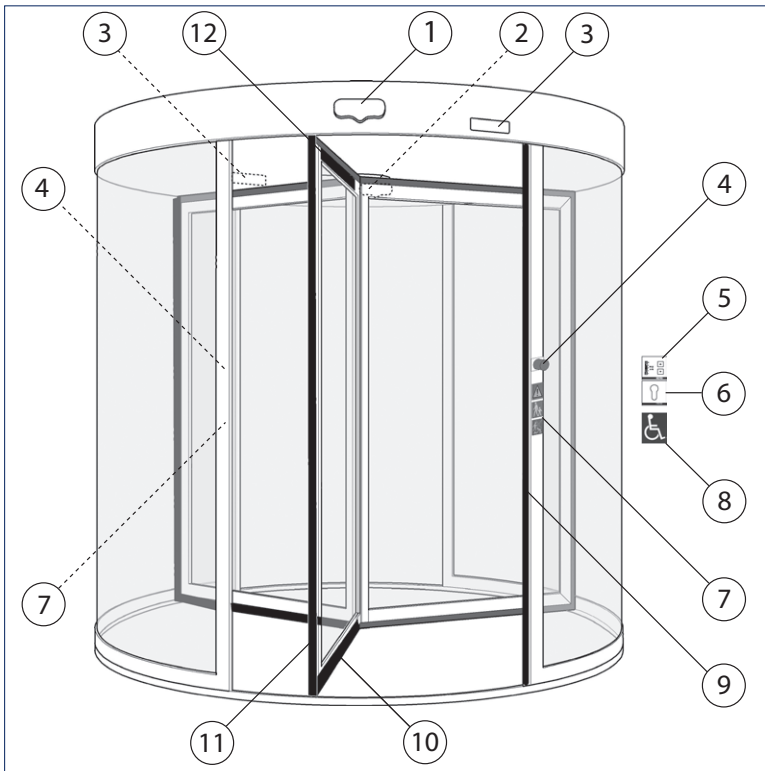
The safety contact strip is a rubber safety strip which is attached vertically to the outer edge of the rotating leaf and prevents people being drawn in. As soon as a person or a part of the body gets in contact with the safety strip, emergency braking is triggered and the revolving door is stopped immediately. When emergency braking is triggered, the revolving door is slowed down until standstill, remains stopped for an adjustable period and then continues its movement in the set operating mode and speed.

Mobile safeguarding device

„Mobile safeguarding devices“ are optical sensors which are fixed to the top edge of the rotating leaves. They work on an infrared basis and optically monitor the area in front of the rotating leaves of a revolving door. As soon as the sensor recognises an obstacle or a person, the revolving door is slowed down. If the obstacle remains within the scanned area of the sensor, the rotating speed is reduced to such an extent that the rotating leaf of the door comes to a standstill before the obstacle. The sensitivity and scanned area of the sensors can be set.

GEZE TSA 325 NT

Operating elements



- 1 = Movement detector inside
- 2 = Movement detector outside
- 3 = Front post safety sensor
- 4 = Emergency-off push button inside and outside
- 5 = Keypad programme switch
- 6 = Key push button
- 7 = Warning sign inside and outside
- 8 = Disabled person's button (optional)
- 9 = Post safety
- 10 = Heel protection strip
- 11 = Vertical safety contact strip
- 12 = Mobile safeguarding device (optional)

Service Tools

GEZEconnects

Bluetooth is an internationally standardised short-distance radio signal with a range of up to ten metres. The software GEZEconnects makes wireless connection via Bluetooth possible between a computer and the automatic door systems from GEZE. All door system settings can be carried out via an intuitive graphic interface, stored, sent by e-mail and transferred to a word processing programme as a protocol. Diagnosis functions show the most important function parameters of the door system in real time, so that problems are recognised at a glance and can be eliminated. All the pre-settings can be taken over very easily for further door systems. The convenient documentation of initial operation, servicing and diagnosis protocols as well as all statistical data can be downloaded at any time. Password protection to freeze operating parameters and servicing data guarantees there will be no unauthorised modifications made.

Service terminal ST 220

Mobile, handy and straightforward – that is parameter setting for the automatic GEZE door systems using the service terminal ST 220. Communication and data exchange between the service terminal and the door drive is via an integrated RS485 interface. The large illuminated interface is easy to operate thanks to the plain text display. The service terminal is equipped with a readout function for servicing and diagnosis work. Power is supplied via the door system. Password protection to freeze operating parameters and servicing data guarantees there will be no unauthorised modifications made.



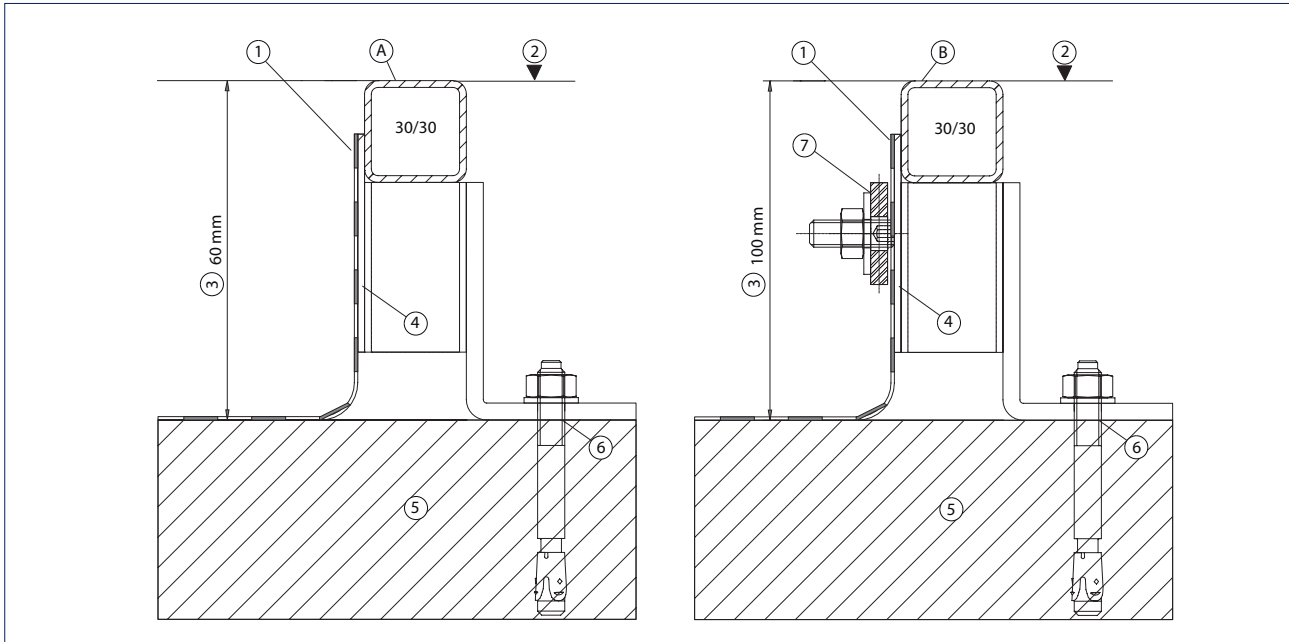
GEZEconnects



Service terminal ST 220

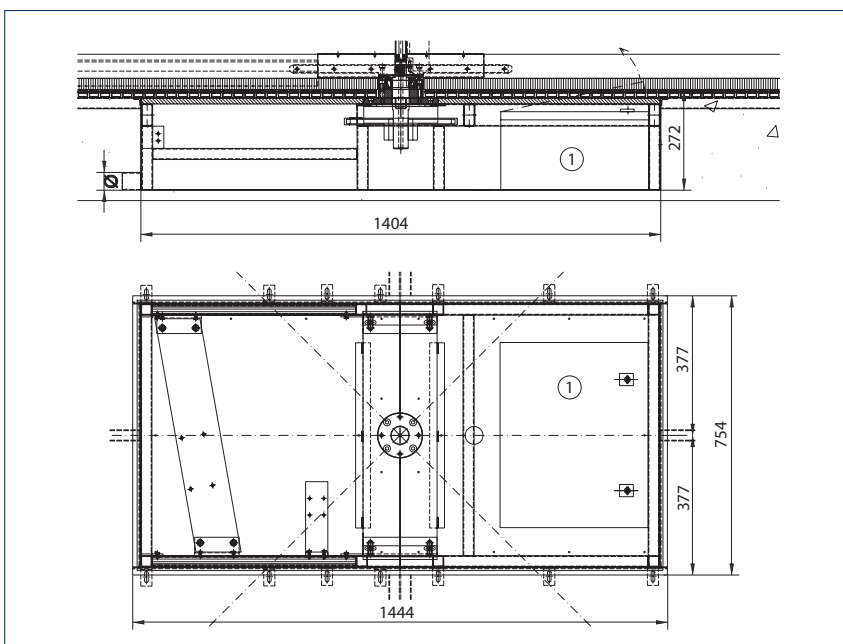
Installation drawings TSA 325 NT

Types of floor rings



- A = Stainless steel floor ring with sheet metal base
- B = Floor ring with sheet metal base and swivel flange
- 1 = Sealing provided by the customer
- 2 = Finished floor level
- 3 = Floor structure (min.)
- 4 = Sheet metal base
- 5 = Unfinished floor (RFB)
- 6 = Fixed to unfinished floor
- 7 = Swivel flange

Underfloor operator

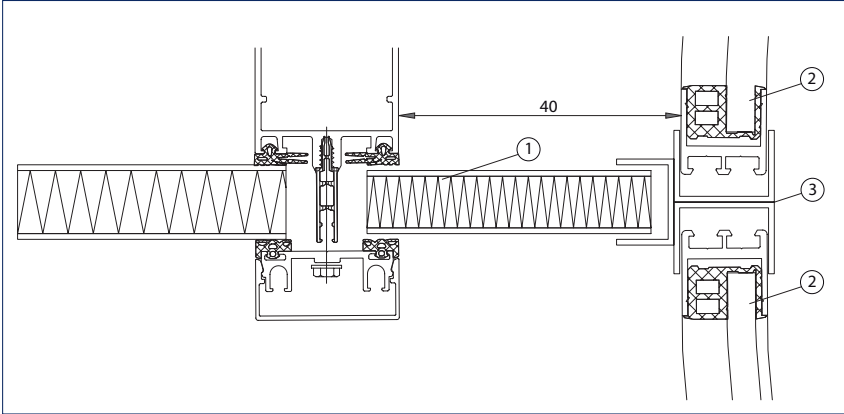


Note: If an external control is housed in a control cabinet (dimensions approx. 500 x 600 x 170 mm) at a max. distance of 20 m, a small drive box (dimensions approx. 714 x 900 x 280 mm) can be installed as well.

- 1 = Control box

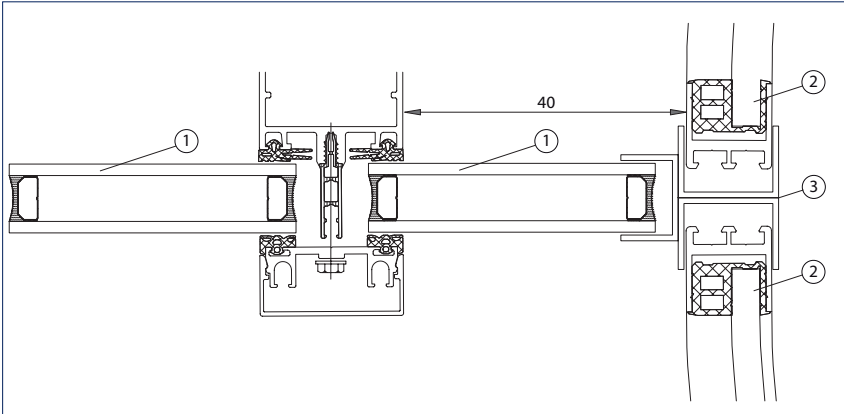
Façade connection

with sheet metal panel



- 1 = Sheet metal panel
- 2 = Side part
- 3 = Axis

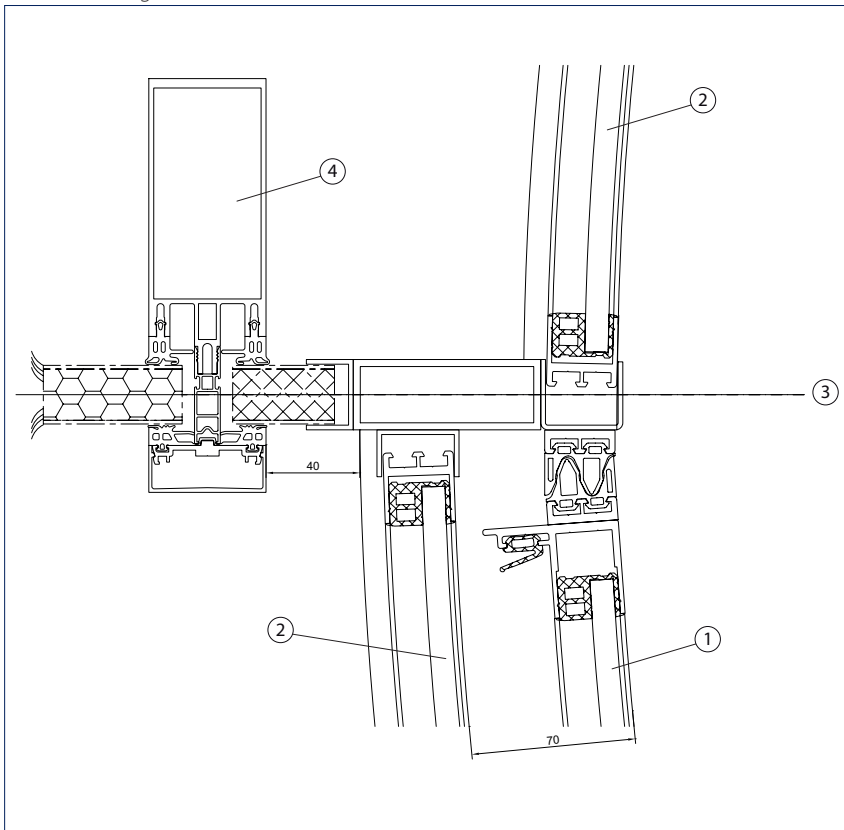
with glass pane



- 1 = Glass pane
- 2 = Side part
- 3 = Axis

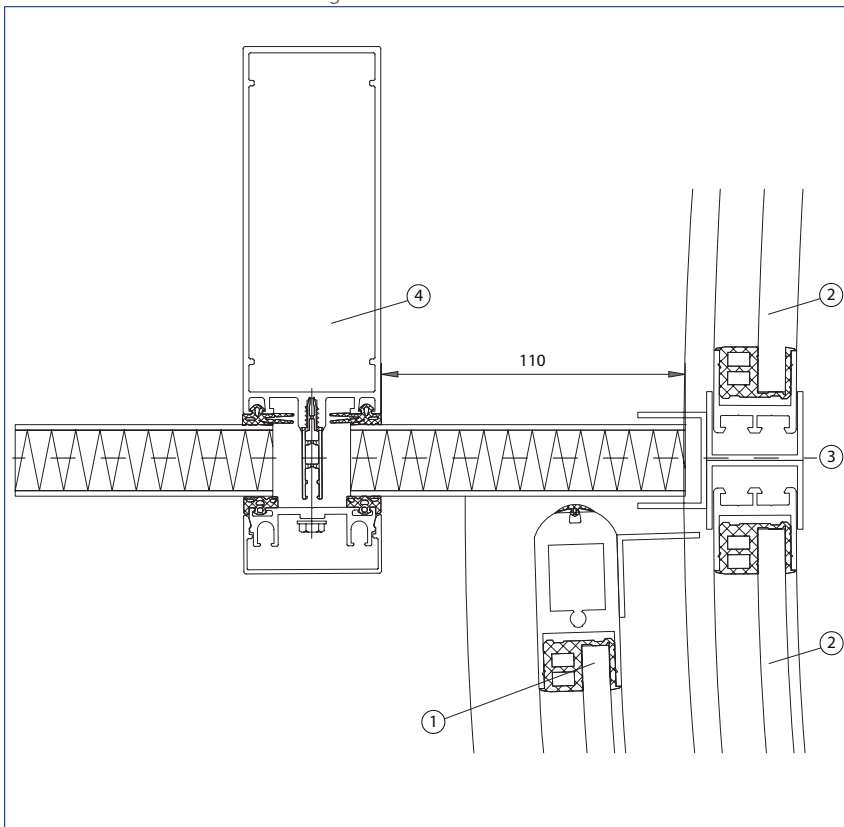
Night-time closer

Detail inside night-time closer



- 1 = Night-time closer
- 2 = Side part
- 3 = System axis
- 4 = Façade

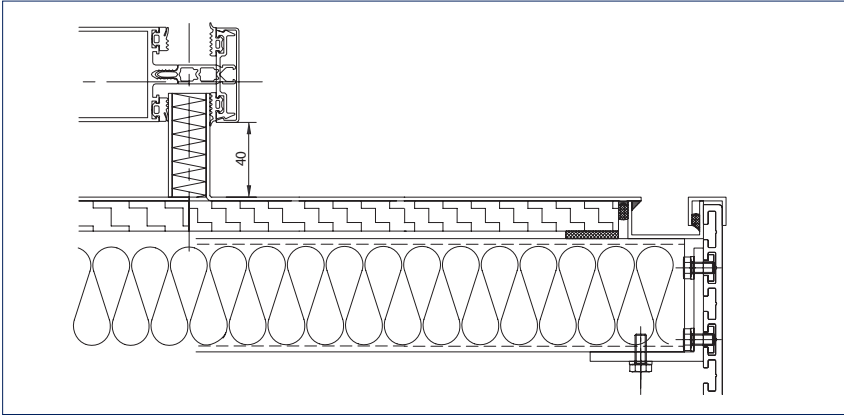
Horizontal section of connection night-time closer



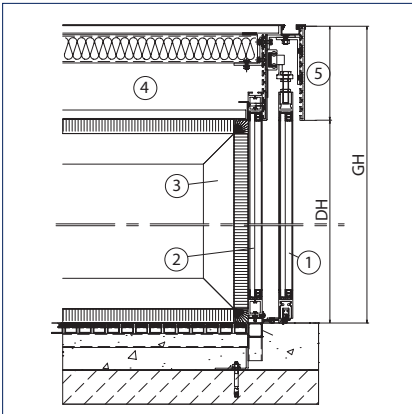
- 1 = Night-time closer
- 2 = Side part
- 3 = System axis
- 4 = Façade

GEZE TSA 325 NT

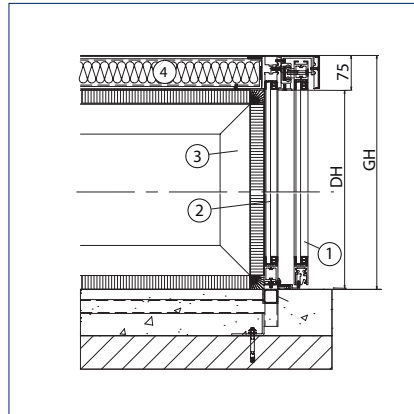
Connection roof top



Vertical section of night-time closer automatic door



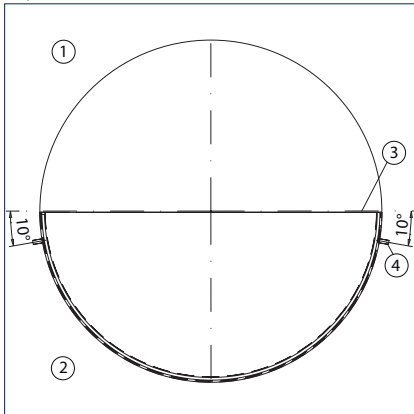
Vertical section of night-time closer manual door



- 1 = Night-time closer
- 2 = Side part
- 3 = Leaf
- 4 = Ceiling construction
- 5 = Canopy height
- GH = Overall height system
- DH = Clear passage height

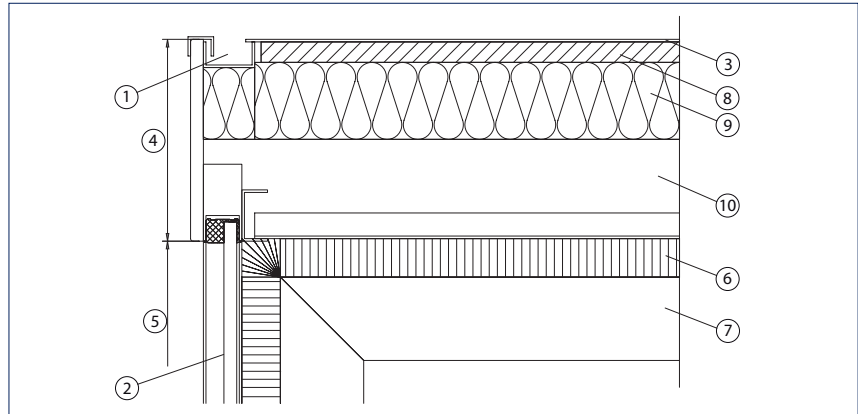
Weather roof

Top view of weather roof



- 1 = Inside
- 2 = Outside
- 3 = Axis
- 4 = Waterspout

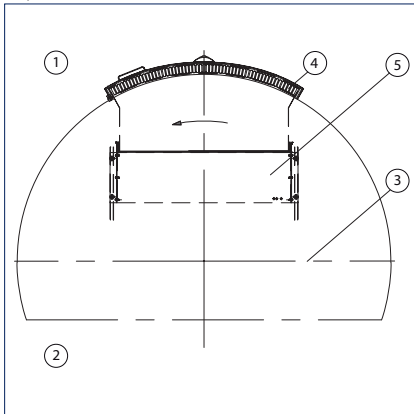
Vertical section of weather roof



- 1 = Drainage
- 2 = Side part
- 3 = Sheeting
- 4 = Canopy height
- 5 = Clear passage height
- 6 = Brush
- 7 = Leaf
- 8 = Wooden board
- 9 = Insulation
- 10 = Ceiling construction

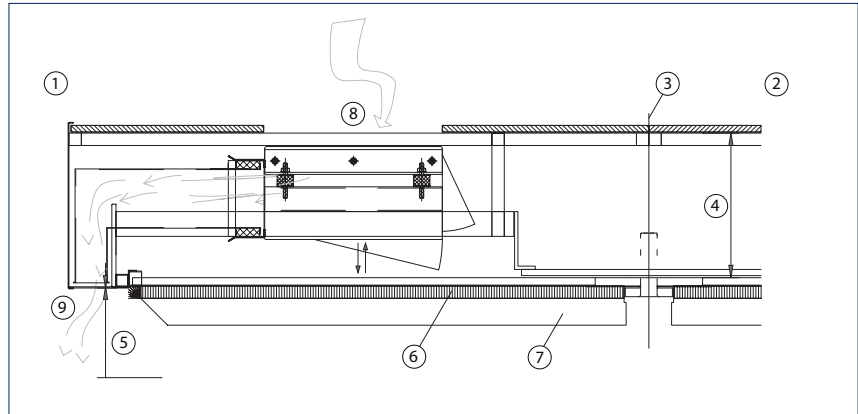
Air curtain

Top view of air curtain



- 1 = Inside
- 2 = Outside
- 3 = Axis
- 4 = Blow-out channel
- 5 = Air curtain

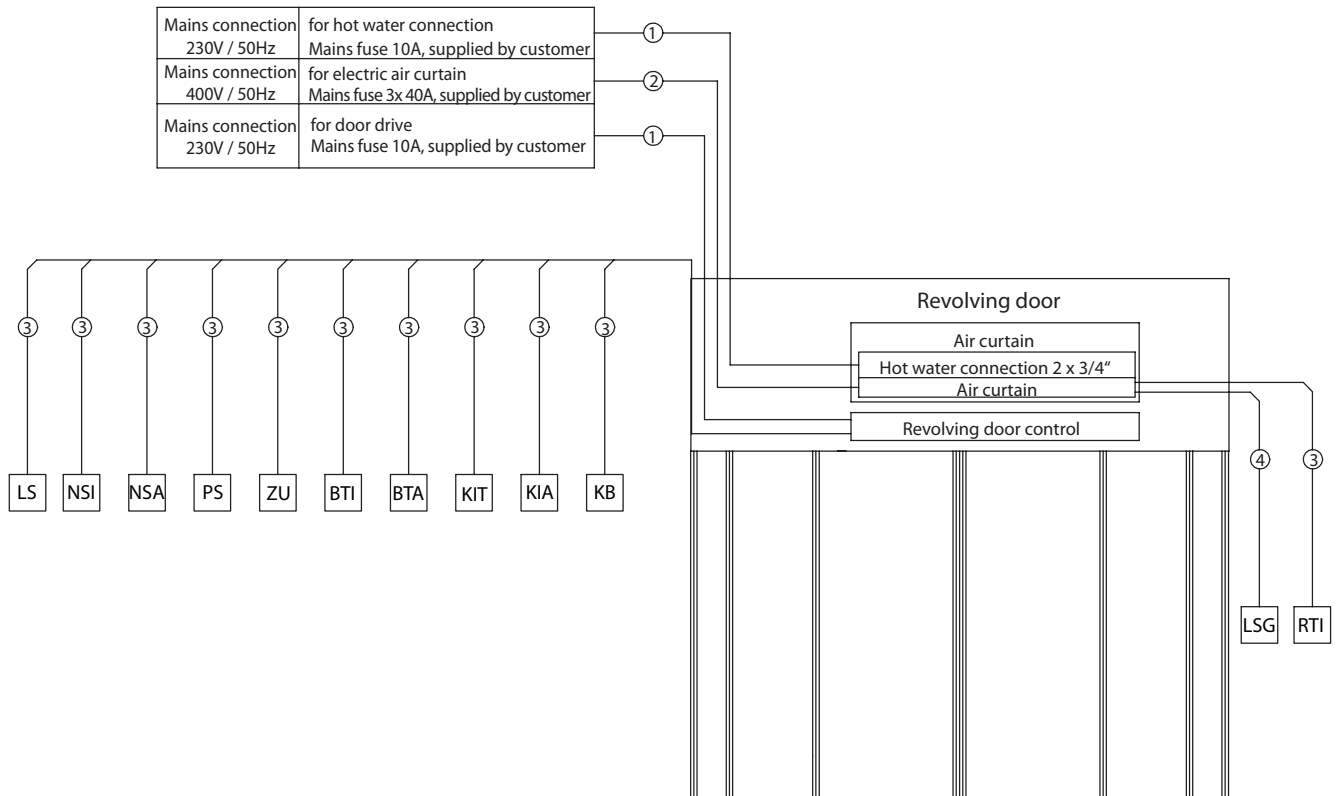
Vertical section of air curtain



- 1 = Inside
- 2 = Outside
- 3 = Axis
- 4 = Canopy height
- 5 = Clear passage height
- 6 = Brush
- 7 = Leaf
- 8 = Opening for air intake
- 9 = Blow-out opening

GEZE TSA 325 NT

Cable plan TSA 325 NT - Ceiling mounted



LS	Light switch (by customer)
NSI	Emergency stop button inside ¹⁾
NSA	Emergency stop button outside ¹⁾
PS	Programme switch
ZU	Timer
BTI	Button for disabled inside
BTA	Button for disabled outside
KIR	Contactora inside (KI) radar
KAR	Contactora outside (KA) radar
KIT	Contactora inside (KI) button ²⁾
KIA	Contactora outside (KI) button ³⁾
KB	Contactora authorised (KB) ⁴⁾
LSG	Switchgear for air curtain
RTI	Room thermostat in the interior

Cable :

- ① NYM-J 3 x 1,5 mm²
- ② NYM-J 5 x 1,5 mm²
- ③ JE-Y(ST)Y 2 x 2 x 0,8 mm
- ④ JE-Y(ST)Y 10 x 0,8 mm max. 20 m

1) Install emergency stop switches at all access points
 2) Several contactors inside (K) may be installed
 3) Several contactors outside (K) may be installed
 4) Several contactors authorised (KB) may be installed

Notes

- Wiring in accordance with VDE 0100
- Wiring, connection and commissioning must only be carried out by authorised electricians.
- GEZE will not assume any warranty or provide service if GEZE products are combined with third-party products.
- Additional actuation devices for the revolving door drive are installed within the profiles located outside or within the door drum.
- The cables stated in this wiring diagram must be laid by the customer.
- The wiring diagram is only a schematic representation. The exact routing of the cables must be determined on site.
- Cable and water connections must be made by a specialist company commissioned by the customer.

References



Amano Hotel, Berlin, Germany (Photo: Stefan Dauth)



Akasya, Istanbul, Turkey (Photo: Tarık Kaan Muşlu)

References



Radisson Blue Uppsala, Sweden (Photo: Truls Busch-Christensen)



University Library of Humboldt University Jacob and Wilhelm, Berlin, Germany (Photo: Stefan Dauth)

References



Flight Forum, Eindhoven, Netherlands (Photo: Erwin Kamphuis)



IBM Ehningen, Germany (Photo: Nikolaus Grünwald)

GEZE GmbH
P.O. Box 1363
71226 Leonberg
Germany

GEZE GmbH
Reinhold-Vöster-Straße 21-29
71229 Leonberg
Germany
Telefon +49 7152 203 0
Telefax +49 7152 203 310
www.geze.com

Germany
 GEZE GmbH
 Niederlassung Süd-West
 Breitwiesenstraße 8
 71229 Leonberg
 Tel. +49 7152 203 594
 Fax +49 7152 203 438
 leonberg.de@geze.com

GEZE GmbH
 Niederlassung Süd-Ost
 Parking 17
 85748 Garching bei München
 Tel. +49 7152 203 6440
 Fax +49 7152 203 77050
 muenchen.de@geze.com

GEZE GmbH
 Niederlassung Ost
 Bühringstraße 8
 13086 Berlin (Weißensee)
 Tel. +49 7152 203 6840
 Fax +49 7152 203 76849
 berlin.de@geze.com

GEZE GmbH
 Niederlassung Mitte/Luxemburg
 Adenauerallee 2
 61440 Oberursel (b. Frankfurt)
 Tel. +49 7152 203 6888
 Fax +49 7152 203 6891
 frankfurt.de@geze.com

GEZE GmbH
 Niederlassung West
 Heltorfer Straße 12
 40472 Düsseldorf
 Tel. +49 7152 203 6770
 Fax +49 7152 203 76770
 duesseldorf.de@geze.com

GEZE GmbH
 Niederlassung Nord
 Haus 11, 1. OG - Theodorstr. 42-90
 22761 Hamburg-Bahrenfeld
 Tel. +49 7152 203 6600
 Fax +49 7152 203 76608
 hamburg.de@geze.com

GEZE Service GmbH
 Niederlassung Süd-West
 Reinhold-Vöster-Straße 25
 71229 Leonberg
 Tel. +49 1802 923392
 Fax +49 7152 9233 359
 service-leonberg.de@geze.com

GEZE Service GmbH
 Niederlassung Süd
 Parking 17
 85748 Garching bei München
 Tel. +49 1802 923392
 Fax +49 7152 9233 859
 service-muenchen.de@geze.com

GEZE Service GmbH
 Niederlassung Mitte
 Oberurseler Str. 69
 61440 Oberursel
 Tel. +49 1802 923392
 Fax +49 7152 9233 659
 service-oberursel.de@geze.com

GEZE Service GmbH
 Niederlassung West
 Heltorfer Straße 12
 40472 Düsseldorf
 Tel. +49 1802 923392
 Fax +49 7152 9233 559
 service-duesseldorf.de@geze.com

GEZE Service GmbH
 Niederlassung Nord-Ost
 Bühringstraße 8
 13086 Berlin (Weißensee)
 Tel. +49 1802 923392
 Fax +49 7152 9233 759
 service-berlin.de@geze.com

GEZE Service GmbH
 Niederlassung Nord
 Theodorstr. 42-90, Haus 11
 22761 Hamburg
 Tel. +49 1802 923392
 Fax +49 7152 9233 459
 service-hamburg.de@geze.com

Austria
 GEZE Austria
 Wiener Bundesstrasse 85
 A-5300 Hallwang
 Tel: +43 6225 87180
 Fax: +43 6225 87180 299
 austria.at@geze.com

Baltic States
 GEZE GmbH Baltic States office
 Dzelzavas iela 120 S
 1021 Riga
 Tel. +371 678960 35
 Fax +371 678960 36
 office-latvia@geze.com

Benelux
 GEZE Benelux B.V.
 Industrierrein Kapelbeemd
 Steenoven 36
 5626 DK Eindhoven
 Tel. +31 4026290 80
 Fax +31 4026290 85
 benelux.nl@geze.com

Bulgaria
 GEZE Bulgaria - Trade
 Representative Office
 Nickolay Haitov 34 str., fl. 1
 1172 Sofia
 Tel. +359 247043 73
 Fax +359 247062 62
 office-bulgaria@geze.com

China
 GEZE Industries (Tianjin) Co., Ltd.
 Shuangchenzhong Road
 Beichen Economic Development
 Area (BEDA)
 Tianjin 300400, P.R. China
 Tel. +86 22 26973995
 Fax +86 22 26972702
 chinasales@geze.com.cn

GEZE Industries (Tianjin) Co., Ltd.
 Branch Office Shanghai
 Jia Little Exhibition Center
 Room C 2-102
 Shenzhuan Rd. 6000
 201619 Shanghai, P.R. China
 Tel. +86 21 52340960
 Fax +86 21 64472007
 chinasales@geze.com.cn

GEZE Industries (Tianjin) Co., Ltd.
 Branch Office Guangzhou
 Room 17 C 3
 Everbright Bank Building, No.689
 Tian He Bei Road
 510630 Guangzhou, P.R. China
 Tel. +86 20 38731842
 Fax +86 20 38731834
 chinasales@geze.com.cn

GEZE Industries (Tianjin) Co., Ltd
 Branch Office Beijing
 Room 1001, Tower D
 Sanlitun SOHO
 No. 8, Gongti North Road,
 Chaoyang District
 100027 Beijing, P.R.China
 Tel. +86 10 59359300
 Fax +86 10 59359322
 chinasales@geze.com.cn

France
 GEZE France S.A.R.L.
 ZAC de l'Orme Rond
 RN 19
 77170 Servon
 Tel. +33 1 606260 70
 Fax +33 1 606260 71
 france.fr@geze.com

Hungary
 GEZE Hungary Kft.
 Hungary-2051 Biatorbágy
 Vendel Park
 Huber u. 1.
 Tel. +36 23532 735
 Fax +36 23532 738
 office-hungary@geze.com

Iberia
 GEZE Iberia S.R.L.
 C/ Andorra 24
 08830 Sant Boi de Llobregat
 (Barcelona)
 Tel. +34 902194 036
 Fax +34 902194 035
 info@geze.es

India
 GEZE India Private Ltd.
 MF 2 & 3, Guindy Industrial Estate
 Ekkattuthangal
 Chennai 600 097
 Tamilnadu
 Tel. +91 44 406169 00
 Fax +91 44 406169 01
 office-india@geze.com

Italy
 GEZE Italia S.r.l
 Sede di Milano
 Via Giotto 4
 20040 Cambiago (MI)
 Tel. +39 0295069 511
 Fax +39 0295069 533
 italia.it@geze.com

Sede di Roma
 Via Lucrezia Romana, 91
 00178 Roma
 Tel. +39 06 726531 1
 Fax +39 06 726531 36
 roma@geze.biz

Poland
 GEZE Polska Sp.z o.o.
 ul. Annapol 21
 03-236 Warszawa
 Tel. +48 224 404 440
 Fax +48 224 404 400
 geze.pl@geze.com

Romania
 GEZE Romania S.R.L.
 IRIDE Business Park,
 Str. Dimitrie Pompeiu nr. 9-9a,
 Building 10, Level 2, Sector 2,
 020335 Bucharest
 Tel.: +40 212507 750
 Fax: +40 316201 258
 office-romania@geze.com

Russia
 OOO GEZE RUS
 Gamsonovskiy Per. 2
 115191 Moskau
 Tel. +7 495 93306 59
 Fax +7 495 93306 74
 office-russia@geze.com

Scandinavia – Sweden
 GEZE Scandinavia AB
 Mallslingan 10
 Box 7060
 18711 Täby, Sweden
 Tel. +46 87323 400
 Fax +46 87323 499
 sverige.se@geze.com

Scandinavia – Norway
 GEZE Scandinavia AB avd. Norge
 Industriveien 34 B
 2073 Dal
 Tel. +47 63957 200
 Fax +47 63957 173
 norge.se@geze.com

Scandinavia – Denmark
 GEZE Danmark
 Branch office of GEZE Scandinavia AB
 Mårkærvej 13 J-K
 2630 Taastrup
 Tel. +45 463233 24
 Fax +45 463233 26
 danmark.se@geze.com

Singapore
 GEZE (Asia Pacific) Pte. Ltd.
 21 Bukit Batok Crescent
 #23-75 Wcega Tower
 Singapore 658065
 Tel: +65 6846 1338
 Fax: +65 6846 9353
 gezessea@geze.com.sg

South Africa
 GEZE Distributors (Pty) Ltd.
 118 Richards Drive, Halfway House,
 Ext 111, P.O. Box 7934, Midrand 1685,
 South Africa
 Tel: + 27 113158 286
 Fax: + 27 113158 261
 info@gezesa.co.za

Switzerland
 GEZE Schweiz AG
 Zelglimatte 1A
 6260 Reiden
 Tel. +41 62 28554 00
 Fax +41 62 28554 01
 schweiz.ch@geze.com

Turkey
 GEZE Kapı ve Pencere Sistemleri
 San. ve Tic. Ltd. Sti.
 İstanbul Anadolu Yakası Organize
 Sanayi Bölgesi
 Gazi Bulvarı Caddesi 8.Sokak No:8
 Tuzla-İstanbul
 Tel. + 90 216 45543 15
 Fax + 90 216 45582 15
 office-turkey@geze.com

Ukraine
 LLC GEZE Ukraine
 ul. Viskoznaya, 17,
 Building 93-B, Office 12
 02660 Kiev
 Tel./Fax +38 445012225
 office-ukraine@geze.com

United Arab Emirates/GCC
 GEZE Middle East
 P.O. Box 17903
 Jebel Ali Free Zone
 Dubai
 Tel. +971 48833 112
 Fax +971 48833 240
 gezeme@geze.com

United Kingdom
 GEZE UK Ltd.
 Blenheim Way
 Fradley Park
 Lichfield
 Staffordshire WS13 8SY
 Tel. +44 15434430 00
 Fax +44 15434430 01
 info.uk@geze.com

GEZE REPRESENTATIVE