



GEZE TS 3000 V / SYSTEM TS 5000  
OVERHEAD DOOR CLOSERS WITH GUIDE RAIL



**TABLE OF CONTENTS**

Overview table GEZE System TS 5000	<b>4</b>
Overview table Application cases and combination possibilities for GEZE System TS 5000	<b>6</b>
Technics - GEZE Overhead door closer TS 5000 / TS 3000 V	<b>8</b>
GEZE System TS 5000 installation possibilities	<b>9</b>
General product functions and information	<b>10</b>
Product information for door closers	<b>11</b>
Cover caps for GEZE door closers	<b>12</b>
<b>Overhead door closers for 1-leaf doors</b>	
GEZE TS 1500 G	<b>13</b>
GEZE TS 3000 V	<b>17</b>
GEZE TS 5000 ECLine	<b>25</b>
GEZE TS 5000	<b>31</b>
GEZE TS 5000 E	<b>40</b>
GEZE TS 5000 R	<b>47</b>
<b>Overhead door closers with freeswing function</b>	
GEZE TS 5000 EFS	<b>54</b>
GEZE TS 5000 RFS	<b>58</b>
<b>Overhead door closer systems for 2-leaf doors</b>	
GEZE TS 5000 ISM	<b>62</b>
GEZE TS 5000 ISM-EFS	<b>70</b>
GEZE TS 5000 E-ISM	<b>75</b>
GEZE TS 5000 R-ISM	<b>85</b>
GEZE TS 5000 R-ISM-EFS	<b>95</b>
<b>Opening restrictor for doors without door closer</b>	
GEZE T-Stop guide rail	<b>100</b>
<b>Accessories</b>	
GEZE smoke switch control unit RSZ6	<b>105</b>
<b>References</b>	<b>107</b>

## Overview table for GEZE system TS 5000

## For single-leaf doors

	TS 1500 G	TS 3000 V	TS 5000 ECLine	TS 5000 L ECLine	TS 5000	TS 5000 L	TS 5000 E	TS 5000 L-E	TS 5000 R	TS 5000 L-R	TS 5000 EFS	TS 5000 RFS
Approval for fire and smoke protection doors <sup>13)</sup>		•	•	•	•	•	•	•	•	•	•	•
Barrier-free in accordance with DIN 18040 up to leaf width (max.) in mm	EN1 750	EN4 1100	EN5 1250	EN5 1250	EN4 1100	EN4 1100	FSA	FSA	FSA	FSA	FSA FL	FSA FL
Closing force in accordance with EN 1154	1	1-4	3-5	3-5	2-6	2-6	2-6	2-6	2-6	2-6	2-5	2-5
Max. door leaf width (mm)	750	1100	1250	1250	1400	1400	1400	1400	1400	1400	1250	1250
<b>Mounting options</b>												
Door leaf installation, hinge side	•	•	•		•		•		•		•	•
Transom installation, hinge side		•		•		•					• <sup>4)</sup>	• <sup>4)</sup>
Opening angle (max.) hinge side <sup>8)</sup>	180°	180°	180°	180°	180°	180°	180°	8)	180°	8)	180°	180°
Door leaf installation, opposite hinge side		•		•		•		•		•		
Transom installation, opposite hinge side		•	•		•							
<b>Functions</b>												
Adjustable closing force		•	•	•	•	•	•	•	•	•	•	•
Adjustable back check		• <sup>2)</sup>	• <sup>12)</sup>	•	• <sup>12)</sup>	•	•	•	•	•		
Adjustable hydraulic latching action	•	•	•	•	•	•	•	•	•	•	•	•
Adjustable delayed closing action					• <sup>1)</sup>							
Adjustable closing speed	•	•	•	•	•	•	•	•	•	•	•	•
Integrated opening support			•	•								
Opening support can be switched off			•	•								
Flexible opening restrictor		•			•	•	•	•	•	•		• <sup>10)</sup>
Mechanical hold-open device <sup>3)</sup>	•	•	•	•	•	•						
Electric hold-open device							•	•	•	•		
Electrical hold-open device for freeswing											•	•
Integrated smoke switch control unit									•	•		•
Integrated mechanical closing sequence control												

• = yes

\* = up to EN4 / 1100 mm with standard closer and up to EN5 / 1250 mm with ECLine closer

<sup>1)</sup> Model TS 5000 S with delayed closing action<sup>2)</sup> Model TS 3000 V BC<sup>3)</sup> Can be retrofitted, not on F and S doors<sup>4)</sup> Special model<sup>5)</sup> System solution consisting of 2 overhead door closers TS 5000 (L) and suitable ISM, E-ISM or R-ISM guide rail for mounting on hinge side or opposite hinge side (version BG)<sup>6)</sup> Freeswing function on active leaf, system solution consisting of 1 overhead door closer TS 5000 E-HY on the active leaf and 1 overhead door closer TS 5000 on the fixed leaf<sup>7)</sup> Maximum door leaf width of the active leaf



## For double-leaf doors

	TS 5000 ISM <sup>5)</sup>	TS 5000 L-ISM <sup>5)</sup>	TS 5000 L-ISM VPK <sup>5)</sup>	TS 5000 ISM-EFS <sup>6)</sup>	TS 5000 E-ISM <sup>5)</sup>	TS 5000 L-E-ISM <sup>5)</sup>	TS 5000 L-E-ISM VPK <sup>5)</sup>	TS 5000 R-ISM <sup>5)</sup>	TS 5000 L-R-ISM <sup>5)</sup>	TS 5000 L-R-ISM VP <sup>5)</sup>	TS 5000 R-ISM-EFS <sup>6)</sup>
Approval for fire and smoke protection doors	•	•	•	•	•	•	•	•	•	•	•
Barrier-free in accordance with DIN 18040 up to leaf width (max.) in mm	EN4/1100 EN5/1250*	EN4/1100 EN5/1250*	EN4 1100	FSA FL	FSA	FSA	FSA	FSA	FSA	FSA	FSA FL
Closing force in accordance with EN 1154	2-6	2-6	2-6	2-5/2-6	2-6	2-6	2-6	2-6	2-6	2-6	2-5/2-6
Max. door leaf width (mm)	1400	1400	1400	1250 <sup>7)</sup>	1400	1400	1400	1400	1400	1400	1250 <sup>7)</sup>
<b>Mounting options</b>											
Door leaf installation, hinge side	•			•	•			•			•
Transom installation, hinge side											
Opening angle (max.) hinge side <sup>8)</sup>	180°	8)	8)	180°	180°	8)	8)	180°	8)	8)	180°
Door leaf installation, opposite hinge side		•	•			•	•		•	•	
Transom installation, opposite hinge side											
<b>Functions</b>											
Adjustable closing force	•	•	•	•	•	•	•	•	•	•	•
Adjustable back check	•	•	•		•	•	•	•	•	•	
Adjustable hydraulic latching action	•	•	•	•	•	•	•	•	•	•	•
Adjustable delayed closing action											
Adjustable closing speed	•	•	•	•	•	•	•	•	•	•	•
Integrated opening support											
Opening support can be switched off											
Flexible opening restrictor	•	•	•	•	•	•	•	•	•	• <sup>11)</sup>	•
Mechanical hold-open device <sup>3)</sup>	•	•	•								
Electric hold-open device					•	•	•	•	•	•	
Electrical hold-open device for freeswing				•							•
Integrated smoke switch control unit								•	•	•	•
Integrated mechanical closing sequence control	•	•	•	•	•	•	•	•	•	•	•

<sup>8)</sup> Opening angle (max.) opposite hinge side, see chapter: General product information about GEZE overhead door closers

<sup>9)</sup> For fire protection doors with corresponding proof of suitability

<sup>10)</sup> Only for door leaf installation

<sup>11)</sup> Only for restricted use

<sup>12)</sup> Back check in transom installation opposite hinge side not effective

<sup>13)</sup> Valid for Germany. Specifications for other countries can be different and will therefore have to be compared to the local requirements.

Please contact your local GEZE subsidiary/representative.

FSA = Hold-open system

FSA FL = Hold-open system freeswing

i.E. = In development

## Application cases and combination possibilities for GEZE System TS 5000

TS 5000 / TS 3000 V  
Overhead door closers with guide rail

Type of installation	Leaf installation Hinge side 1-leaf						Leaf installation Hinge side 2-leaf <sup>6)</sup>				
	TS 5000 ECLine	TS 5000	TS 5000 E	TS 5000 R	TS 5000 EFS	TS 5000 RFS	TS 5000 ISM	TS 5000 E-ISM	TS 5000 R-ISM	TS 5000 ISM-EFS	TS 5000 R-ISM-EFS
Barrier-free in accordance with DIN 18040 up to leaf width (max.) in mm	EN5 1250	EN4 1100	FSA	FSA	FSA FL	FSA FL	EN4/ 1100 EN5/ 1250*	FSA	FSA	FSA FL	FSA FL
Leaf width (max.) in mm	1250	1400	1400	1400	1250	1250	1400	1400	1400	1250	1250
<b>Closer system</b>											
Barrier-free in accordance with DIN 18040 up to leaf width (max.) in mm	EN5 1250	EN4 1100	FSA	FSA	FSA FL	FSA FL	EN4/ 1100 EN5/ 1250*	FSA	FSA	FSA FL	FSA FL
Leaf width (max.) in mm	1250	1400	1400	1400	1250	1250	1400	1400	1400	1250	1250
<b>Closer body</b>											
Complete pack (closer+guide rail)					•	•					
TS 5000 ECLine Closer body	L		• <sup>4)</sup>	• <sup>4)</sup>			• <sup>4)</sup>	• <sup>4)</sup>	• <sup>4)</sup>	• <sup>3)</sup>	• <sup>3)</sup>
TS 5000 Closer body	L		•	•	•		•	•	•	• <sup>3)</sup>	• <sup>3)</sup>
TS 5000 S Closer body with delayed closing			•	•	•		•	•	•	• <sup>3)</sup>	• <sup>3)</sup>
TS 5000 E-HY Closer body with electrical hold-open device for freeswing										• <sup>2)</sup>	• <sup>2)</sup>
<b>Guide rails</b>											
ECLine guide rails Opening assistance	BG										
Standard guide rail	BG		•								
T-Stop guide rail Opening restrictor	BG		•								
E guide rail Electrical hold-open	BG			•							
R guide rail Smoke switch, power supply, electrical hold-open	BG				•						
ISM guide rail Integrated closing sequence control	BG						•				
E-ISM guide rail Integrated closing sequence control, electrical hold-open on both sides	BG							•			
R-ISM guide rail Integrated closing sequence control, smoke switch, power supply, electrical hold-open device on both sides	BG								•		
ISM-EFS guide rail Integrated closing sequence control, freeswing GF <sup>2)</sup>										•	
R-ISM-EFS guide rail Integrated closing sequence control, smoke switch, power supply, freeswing GF <sup>2)</sup>											•
<b>Accessories</b>											
Smoke switch control unit RSZ6			•		•			•		•	
Interruption button			•	•	• <sup>5)</sup>	• <sup>5)</sup>		•	•	• <sup>5)</sup>	• <sup>5)</sup>
Mechanical locking hold-open <sup>1)</sup>	i.E.	•					•				

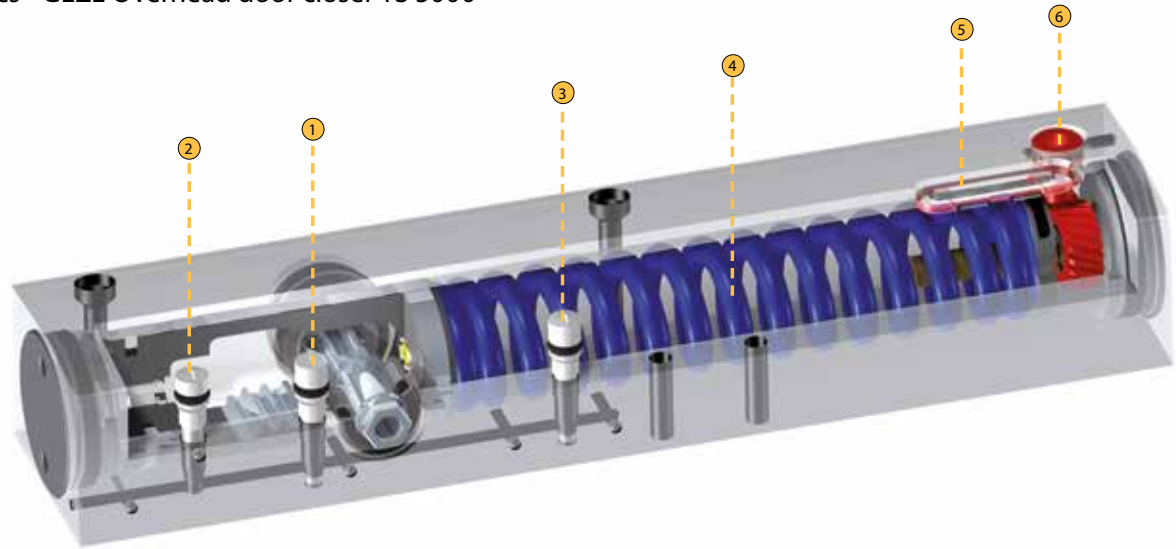
• = yes  
\* = up to EN4 / 1100 mm with standard up to EN5 / 1250 mm mit ECLine closer

FSA = Hold-open system  
FSA FL = Hold-open system freeswing  
BG = Opposite hinge side guide rail  
L = Opposite hinge side closer  
i.E. = In development

1) Not for fire protection doors  
2) GF = Active leaf  
3) SF = Fixed leaf  
4) Up to max. 1250 mm leaf width  
5) Mandatory accessory  
6) 1 closer body necessary per door leaf

Type of Installation	Leaf installation Opposite hinge side 1-leaf				Leaf installation Opposite hinge side 2-leaf <sup>6)</sup>				Transom installation hinge side 1-leaf				Transom instal- lation Opposite hinge side 1-leaf	
	TS 5000 L ECLine	TS 5000 L	TS 5000 L-E	TS 5000 L-R	TS 5000 L-ISM	TS 5000 L-ISM VPK	TS 5000 L-E-ISM	TS 5000 L-R-ISM	TS 5000 L ECLine	TS 5000 L	TS 5000 EFS KM	TS 5000 RFS KM	TS 5000 ECLine	TS 5000
Barrier-free in accordance with DIN 18040 up to leaf width (max.) in mm	EN5 1250	EN4 1100	FSA	FSA	EN4/ 1100 EN5/ 1250*	EN4 1100	FSA	FSA	EN5 1250	EN4 1100	FSA FL	FSA FL	EN5 1250	EN4 1100
Leaf width (max.) in mm	1250	1400	1400	1400	1400	1400	1400	1400	1250	1400	1250	1250	1250	1400
<b>Closer systems</b>														
Barrier-free in accordance with DIN 18040 up to leaf width (max.) in mm	EN5 1250	EN4 1100	FSA	FSA	EN4/ 1100 EN5/ 1250*	EN4 1100	FSA	FSA	EN5 1250	EN4 1100	FSA FL	FSA FL	EN5 1250	EN4 1100
Leaf width (max.) in mm	1250	1400	1400	1400	1400	1400	1400	1400	1250	1400	1250	1250	1250	1400
<b>Closer body</b>														
Complete pack														
TS 5000 ECLine														
Closer body	L	•		• <sup>4)</sup>	• <sup>4)</sup>	• <sup>4)</sup>		• <sup>4)</sup>	•					•
TS 5000														
Closer body	L		•	•	•		•	•		•				
TS 5000 S														
TS 5000 E-HY														
<b>Guide rails</b>														
ECLine guide rail	BG	•							•					•
Standard guide rail	BG		•							•				•
T-Stop guide rail	BG		•							•				
E guide rail	BG			•										
R guide rail	BG													•
ISM guide rail	BG				•									
E-ISM guide rail	BG					•								
R-ISM guide rail	BG													•
ISM-EFS guide rail														
R-ISM-EFS guide rail														
<b>Accessories</b>														
Smoke switch control unit RSZ6				•			•				•			
Interruption button				•	•		•	•			• <sup>5)</sup>	• <sup>5)</sup>		
Mechanical locking hold-open device <sup>1)</sup>	i.E.	•			•	•			i.E.	•			i.E.	•

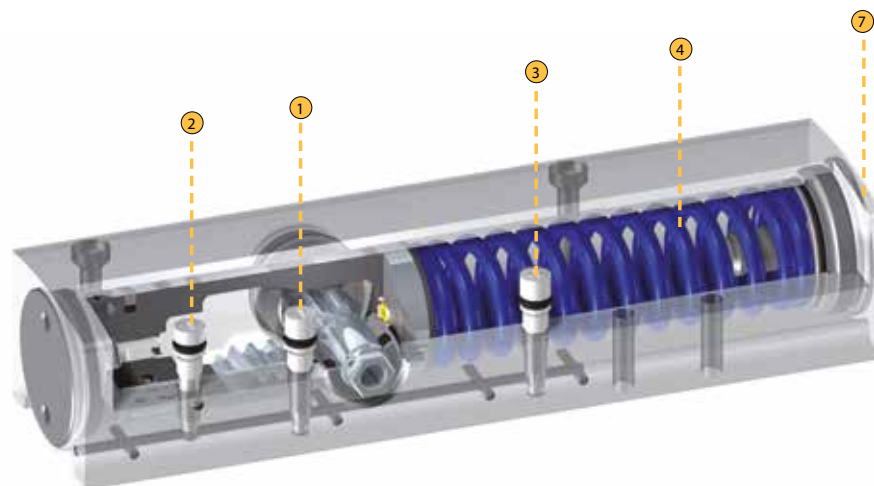
Technics - GEZE Overhead door closer TS 5000



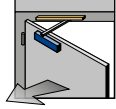
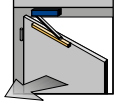


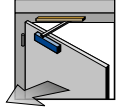

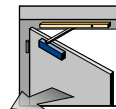
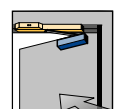
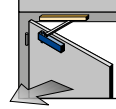
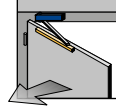
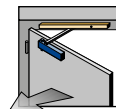
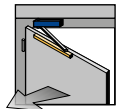
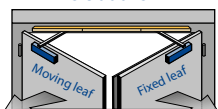
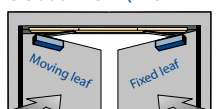
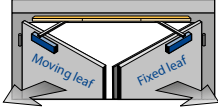
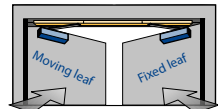
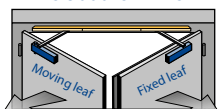
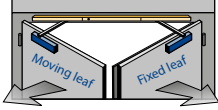
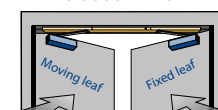
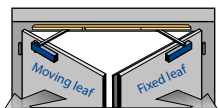
**Legend**

- ① Adjustment closing speed
- ② Adjustment latching action
- ③ Adjustment back check
- ④ Spring package
- ⑤ Display closing force
- ⑥ Adjustment closing force in front
- ⑦ Adjustment closing force on the side

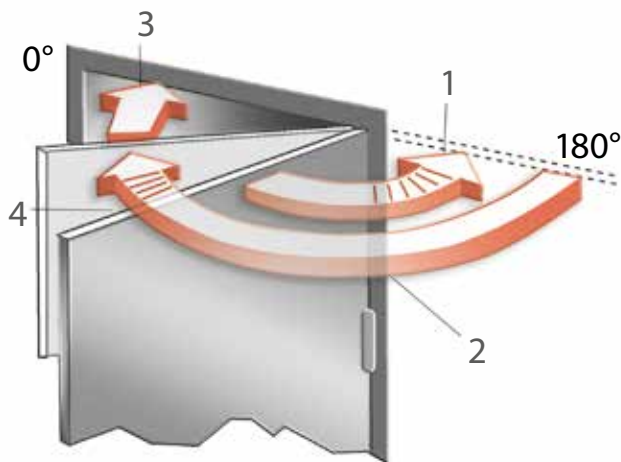
Technics - GEZE Overhead door closer TS 3000 V



**GEZE System TS 5000 – Installation possibilities**

Installation possibilities		Door closer installation on hinge side		Door closer installation on opposite hinge side	
		Door leaf installation	Transom installation	Door leaf installation	Transom installation
1-leaf doors	Standard version / with delayed closing action	TS 5000 / S / ECLine 	TS 5000 L / L ECLine 	TS 5000 L / L ECLine 	TS 5000 / ECLine 
	Electromechanical hold-open device	TS 5000 E 		TS 5000 L-E 	
	Electromechanical hold-open device Smoke switch control unit	TS 5000 R 		TS 5000 L-R 	
	Electric freeswing function	TS 5000 EFS 	TS 5000 EFS 		
	Electric freeswing function and smoke switch control unit	TS 5000 RFS 	TS 5000 RFS 		
2-leaf doors	Integrated closing sequence control (also for full-panic solution)	TS 5000 ISM 		TS 5000 L-ISM (L-ISM VPK) 	
	Integrated mechanical closing sequence control Electromechanical hold-open device on both sides	TS 5000 E-ISM 		TS 5000 L-E ISM 	
	Integrated mechanical closing sequence control with freeswing function at the active leaf	TS 5000 ISM-EFS 			
	Integrated mechanical closing sequence control, electromechanical hold-open device on both sides Smoke switch control unit	TS 5000 R-ISM 		TS 5000 L-R ISM 	
	Integrated mechanical closing sequence control, freeswing function at the moving leaf Smoke switch control unit	TS 5000 R-ISM EFS 			

**General product functions and information**  
GEZE door closers with guide rail



- 1) Back check  
Reduces the speed of forcefully thrown open door at approx. 90° door opening. However, e.g. in the case of outward-opening doors exposed to the wind, it cannot replace separate restriction of the opening angle – installation of a door stopper or other structural measures.
- 2) Closing speed  
The closing speed of a door can be set individually.
- 3) Latching action  
The door movement is accelerated in the last degrees of closing in order to overcome closing resistance, e.g. air resistance
- 4) Delayed closing action  
Reduces the closing speed of a door or stops the door, so that passing people have sufficient time to get through the door.

GEZE door closer with adjustable closing force:

The standards specify that the size of the door closer (closing force of the closer) must be suitably chosen to match the door width. If the structural (door height, door weight) or local conditions (wind) make this necessary, the next-highest size must be set.

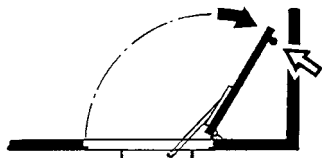
GEZE TS 3000 V, TS 5000 and variations include several door closer sizes in one housing, which can be set by means of a setting screw. With the TS 5000, the chosen size can be read off a visual display.

Door closer force EN	Door leaf width (mm)
Size 1	up to 750
Size 2	over 750 up to 850
Size 3	over 850 up to 950
Size 4	over 950 up to 1100
Size 5	over 1100 up to 1250
Size 6	over 1250 up to 1400

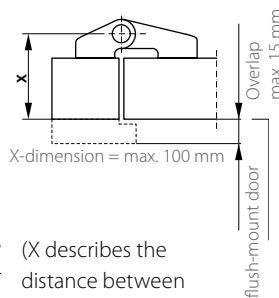
GEZE door closer with mechanical hold-open: by installing the hold-open unit in the relevant guide rail, a door hold-open function with variable adjustment is enabled between 80° and 130°. The retention force of the hold-open is adjustable. The hold-open can also be switched off.

**Especially for mounting on the opposite hinge side**

Attention!

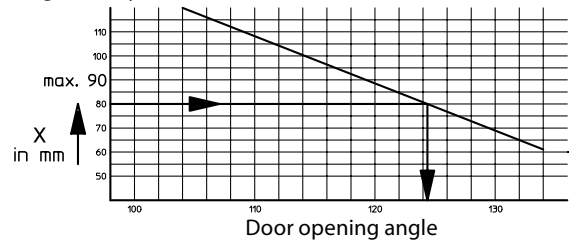


The max. door opening angle must be limited using a door stop or a GEZE T-Stop guide rail.

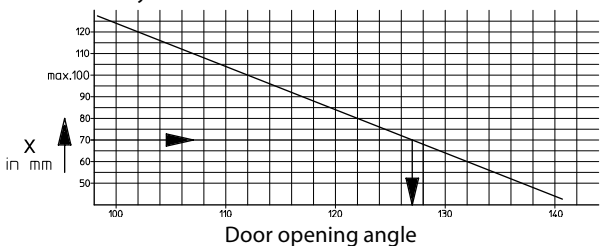


(X describes the distance between the pivot point and the guide rail contact surface)

**Single-leaf systems**



**Double-leaf systems**



## Product information for door closers

Due to the liability the manufacturer has for its products under the German product liability law (§ 4 Prod-HaftG), the following information regarding door closers for swing doors must be observed. Non-compliance discharges the manufacturer from its liability.

### 1) Product information and use as intended

Within this context, door closers are to be defined as products for closing swing doors after they have been opened manually. The closing action is dampened using a hydraulically adjustable feature. The level of closing force required for specific leaf widths is defined in EN 1154. In the case of non-standard applications, the details provided by the manufacturer are to be regarded as definitive. Door closers are used on internal swing doors made from metal, timber or plastic and combinations thereof. When used on smoke and fire protection doors or other standardised self-closing doors, they are subject to strict requirements in terms of the type of installation and their position. Any deviation from these requirements constitutes improper use.

Proper use of door closers (use as intended) relies on doors being installed perpendicular and their being able to move smoothly; it is also dependent on the door closers being properly secured. The products must be installed and adjusted professionally in accordance with the manufacturer's specifications.

Where local conditions are particularly unfavourable (wind), door closers with higher torques must be used.

It is particularly important to use door closers with a back check function on swing doors that are exposed to wind when opening outwards.

The back check function helps protect people, door elements, plus nearby walls and objects, without restricting the door opening angle. If the structural conditions of the door are such that there is a risk of the door leaf hitting the frame in the vicinity of the door's axis of rotation, a buffer must be installed to limit the door's maximum opening angle. If swing doors are to be fixed in the open position, this may only be achieved using special additional fittings or integrated constructional elements. When used with smoke and fire protection doors, the devices must be officially approved by the German Institute for Building Technology (door suitability certificates must be heeded).

Door closers are not suitable for installation on swing doors in the case of unprotected exterior mounting or for installation in environments where the air contains aggressive, corrosive substances or in extremely high or low temperatures.

Following installation, enclosures for floor-mounted door closers must be protected against soiling. If floor-mounted door closers are exposed to penetrating water (e.g. wet rooms or external doors with no protection from the rain), the area between the cement box and the door closer cover must be sealed with a suitable sealing compound.

Compliance with mandatory statutory provisions must be ensured, where applicable, before door closers (including any additional devices) are installed and commissioned.

### 2) Misuse

Misuse (i.e. improper use of door closer products for swing doors) includes, in particular:

- The presence of obstacles in the closing area, scraping doors, sticking seals, wooden wedges, etc. that hinder the door's closing action
- Incorrect or improper mounting and/or adjustment
- Reaching into the area between the door frame and leaf (risk of injury)
- If the warranted properties are likely to trigger proper functioning, e.g. in case of storms or unusual levels of overpressure or underpressure acting on the door

- If door closers are used for any purpose other than closing doors
- If the selected door closer size does not tally with the manufacturer's recommendations

### 3) Product performance

Where catalogues, brochures, manuals, etc. do not contain specific details of product performance, special requirements must be discussed and agreed with the manufacturer.

The EN 1154 standards serve as a guideline. These standards stipulate the vast majority of basic and additional requirements. Amongst other things, the usability of door closers depends on how often they are operated, how they are operated, environmental influences and how they are cared for. Door closers must be replaced as soon as the door's closing action can no longer be guaranteed to be fault-free and reliable.

### 4) Product maintenance

Safety-related components of door closers must be checked regularly for tightness and signs of wear (depending on what the requirements are). Fixing screws must be re-tightened and defective components replaced. In addition, the following maintenance work must be carried out at least once a year (depending on the swing door type and extent of use):

- Grease all moving parts on the link arm
- In the case of door closers with special functions (hold-open mechanisms and hold-open devices), ensure compliance with statutory inspections, monitoring requirements and suggested maintenance intervals
- Check the closer settings, e.g. the closing speed
- Check that the door is able to move easily

Do not use any cleaning agents that contain corrosive or damaging ingredients.

### 5) Duties to inform and instruct

The following resources are available to help planners, specialist suppliers, installers, builders and users fulfil their duties of information and instruction:

- Catalogues, brochures, leaflets,
- Tender texts and bidding documents
- Attachment instructions, installation drawings, operating instructions, standards
- Advice from field staff

To ensure correct use of door closers on swing doors, guarantee their function and make sure they are maintained and cared for appropriately:

- Architects and planners are advised to order and observe the necessary product information
- Specialist suppliers are advised to observe the product information and advice in the price lists and, in particular, to order all relevant instructions, which are to be passed on to the installer
- Installers are advised to observe all the product information and to pass it on to the client and user

Cover caps are available for the overhead door closers TS 3000 V and TS 5000 as follows:

Silver



Dark bronze



White RAL 9016



Polished brass



Niro

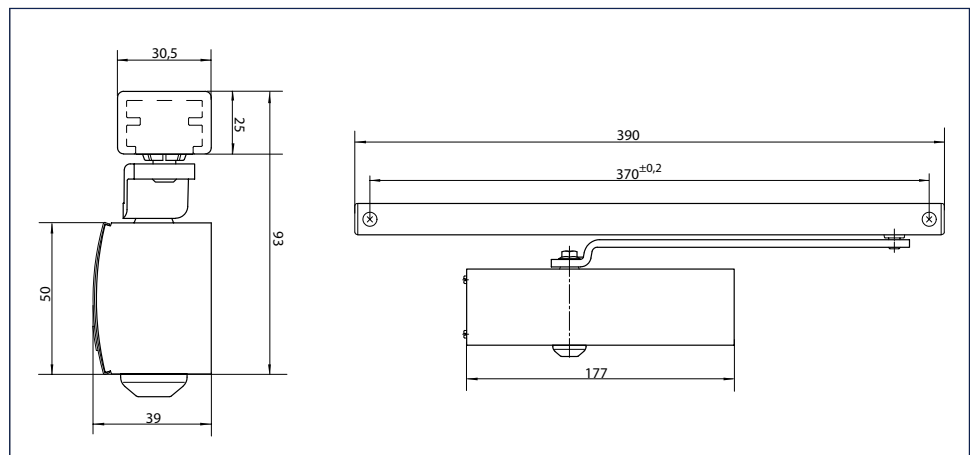


Further RAL colours available on request.



**GEZE TS 1500 G****Guide rail door closer for 1-leaf doors up to 750 mm leaf width**

The overhead door closer TS 1500 G with guide rail is suitable for 1-leaf interior doors up to 750 mm leaf width (fixed closing force EN size 1). The closing speed and the hydraulic latching action can be adjusted. The door closer is optionally available with a mounting plate and is suitable for both right and left single-action doors without conversion.

**GEZE TS 1500 G****GEZE TS 1500 G****Application range**

- For interior doors
- For single-action doors, leaf width up to 750 mm
- Can be used for doors mounted on the right or left without conversion

**Closer technical data**

Product features	GEZE TS 1500 G closer
Closing force in accordance with EN 1154	1
Recommended leaf width up to	750 mm
Same version for left and right-hand doors	●
Product tested in accordance with	Door closer tested in accordance with EN 1154
Length	177 mm
Overall depth	39 mm
Height	50 mm

**Functions**

Adjustable closing force	No
Adjustable closing speed	●
Adjustable latching action	Yes, via valve
Integrated back check	No

- = YES
- = OPTIONAL

**Guide rail technical data**

Product features	Guide rail TS 1500 G	Guide rail TS 1500 G/F
Length		390 mm
Overall depth		30.5 mm
Height		20.5 mm

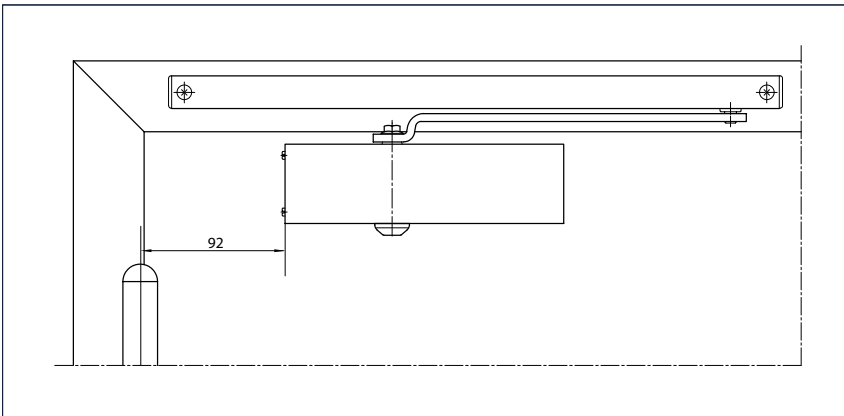
**Functions**

Integrated opening restrictor	○	○
Integrated hold-open device	○	Mechanical
Hold-open device can be switched on and off	-	●
Hold-open device can be overridden	-	●
Hold-open angle		80 - 130 °

- = YES
- = OPTIONAL

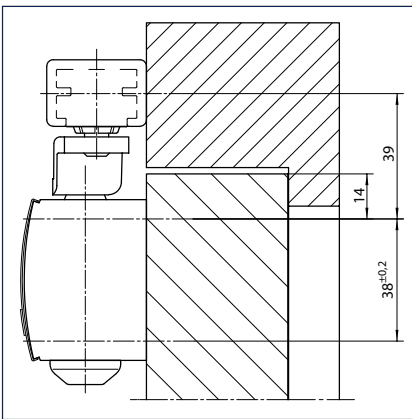
**Door leaf installation/hinge side TS 1500 G**

View

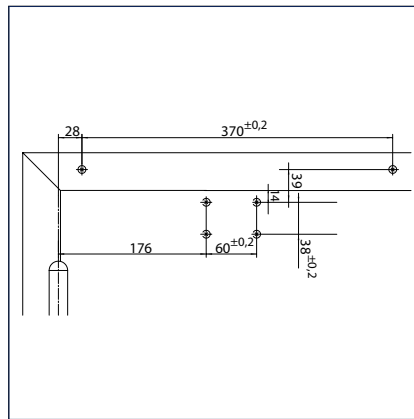


Example for installation

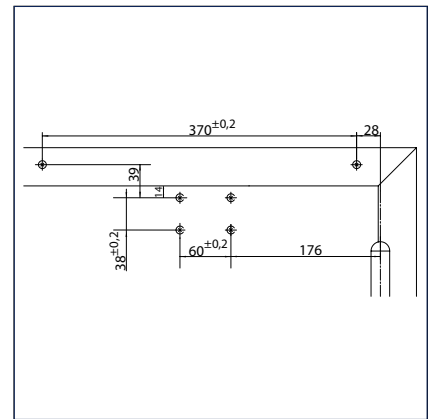
**Direct installation**



Cross-section = Direct installation

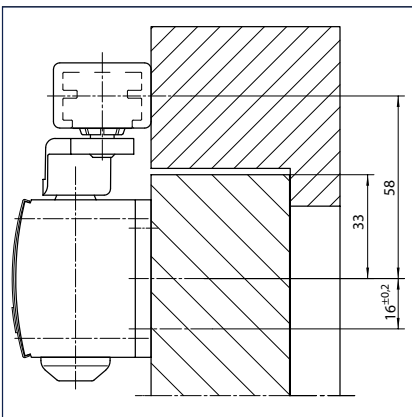


Fitting dimensions left-hand door

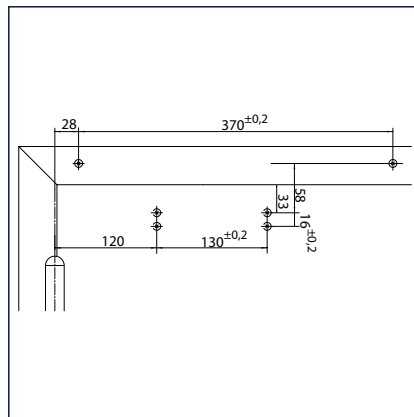


Fitting dimensions right-hand door

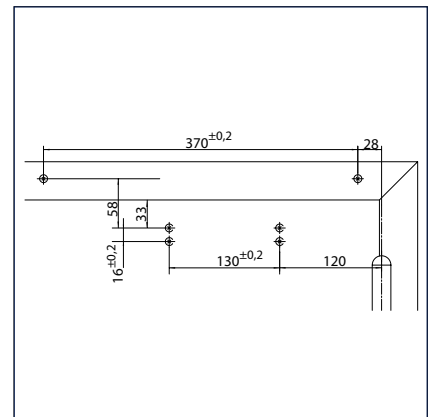
**Installation with mounting plate**



Cross-section = Installation with mounting plate



Fitting dimensions left-hand door



Fitting dimensions right-hand door

## GEZE TS 1500 G - Order information

Description	Version	ID.No.
GEZE TS 1500 G closer Size EN 1 (without guide rail and lever)	silver-coloured	R:101792
	dark bronze	R:101793
	white RAL 9016	R:101794
	acc. to RAL	R:101875
Guide rail TS 1500 G with lever	silver-coloured	101885
	dark bronze	101886
	white RAL 9016	101887
	acc. to RAL <sup>1)</sup>	101888
Guide rail TS 1500 G/F with mechanical hold-open device and lever	silver-coloured	101889
	dark bronze	101890
	white RAL 9016	101891
	acc. to RAL <sup>1)</sup>	101892
<b>Installation materials</b>		
Guide rail mounting plate for TS 1500 G	silver-coloured	072333
	acc. to RAL <sup>1)</sup>	072355
Mounting plate door closer for TS 1500	silver-coloured	029682
	dark bronze	029683
	white RAL 9016	029685
	acc. to RAL <sup>1)</sup>	029686
<b>Accessories</b>		
Door closer cover cap for TS 1500, can only be used for door leaf installation	silver-coloured	080147
	dark bronze	080148
	white RAL 9016	080149
	acc. to RAL	080150
Mechanical hold-open device for Standard / T-Stop / Boxer 20.7 mm guide rail, adjustable retention force, can be switched on and off, can be overridden		071924
Flexible opening restrictor for lightweight doors for riveted guide rail, standard guide rail BG and Boxer 20.7 mm guide rail		069780

<sup>1)</sup> Surcharge for RAL special colours, see General Information in the Price List.

## GEZE TS 3000 V

### Guide rail door closer for 1-leaf doors up to 1100 mm leaf width

The overhead door closer TS 3000 V is approved for 1-leaf right and left single-action doors up to 1100 mm and for installation on smoke and fire protection doors. The closing force, size 1-4 acc. to EN 1154, can be adjusted at the side, the hydraulic latching action and thermally stabilised closing speed can be adjusted from the front.

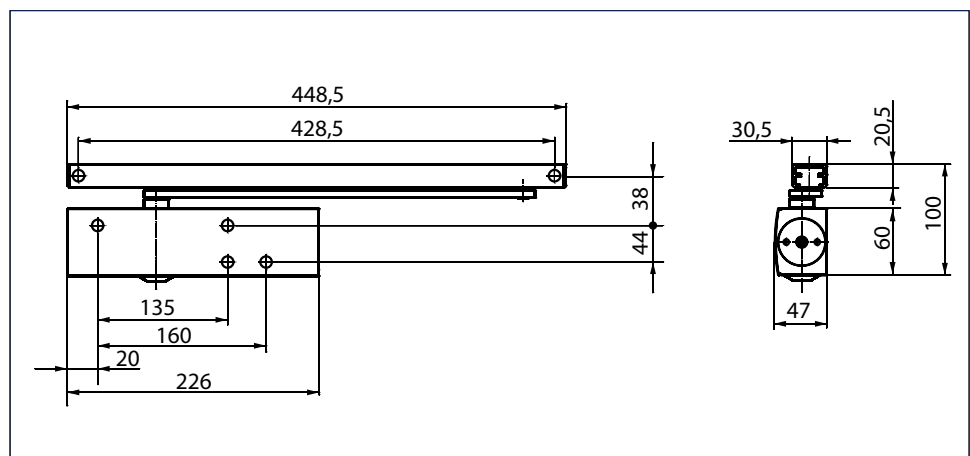
#### Special versions

- TS 3000 V with mechanical hold-open device with variable adjustment between 80° and 130° (not permissible on smoke and fire protection doors)
- TS 3000 V BC with back check adjustable from the front

### GEZE TS 3000 V



### GEZE TS 3000 V



#### Application range

- For single-action doors, leaf width up to 1100 mm
- Can be used for doors mounted on the right or left without conversion
- For fire protection doors (door closer with mounting plate)

**Closer technical data**

Product features	GEZE TS 3000 V closer	GEZE TS 3000 V BC closer	GEZE TS 3000 EN3 closer
Closing force in accordance with EN 1154	1 - 4	1 - 4	3
Recommended leaf width up to	1100 mm	1100 mm	950 mm
Same version for left and right-hand doors	●	●	●
Product tested in accordance with	Door closer tested in accordance with EN 1154		
Fire protection door suitability	●	●	●
Mounting plate with hole pattern in accordance with EN1154 supplement	●	●	●
Length	226 mm		
Overall depth	46 mm		
Height	60 mm		
<b>Functions</b>			
Adjustable closing force	Yes, stepless	Yes, stepless	No
Adjustable closing speed	●	●	●
Adjustable latching action	Yes, via valve		
Integrated back check	No	Yes, hydraulically adjustable	No
Position of closing force adjustment	At the side	At the side	
Safety valve against wilful damage	●	●	●
Thermo-control valves	●	●	●

- = YES
- = OPTIONAL

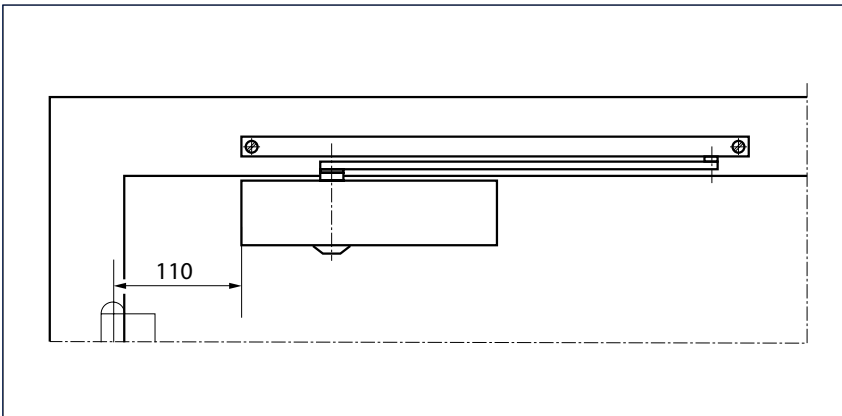
**Guide rail technical data**

Product features	Guide rail TS 5000/ TS 3000 vertically adjustable	Guide rail TS 5000/ TS 3000	T-Stop guide rail TS 5000/TS 3000
Length	448.5 mm	448.5 mm	452.5 mm
Overall depth	30.5 mm	30.5 mm	33 mm
Height	20.5 mm	20.5 mm	30 mm
<b>Functions</b>			
Integrated opening restrictor	○	○	●
Integrated hold-open device	○	○	○
Height correction possible	●	-	-

- = YES
- = OPTIONAL

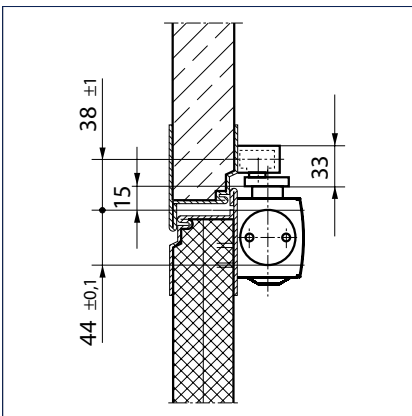
**Door leaf installation/hinge side TS 3000 V**

View

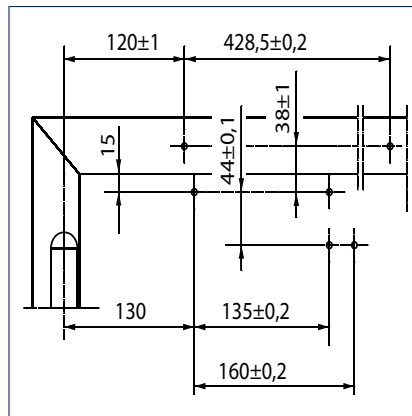


Example for installation

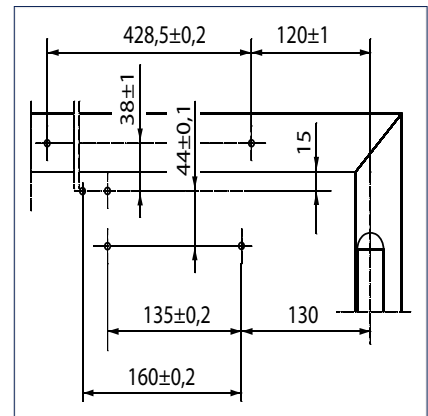
**Direct installation**



Cross-section = Direct installation

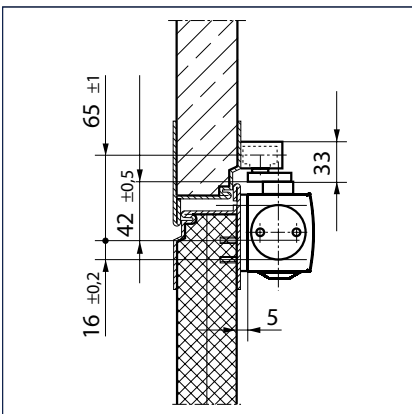


Fitting dimensions left-hand door

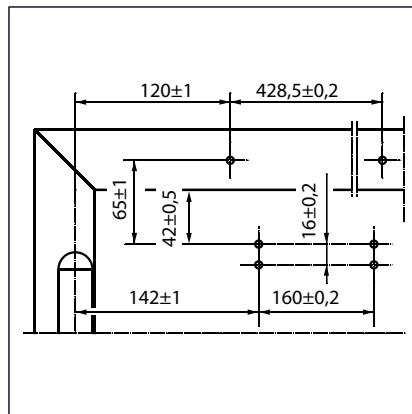


Fitting dimensions right-hand door

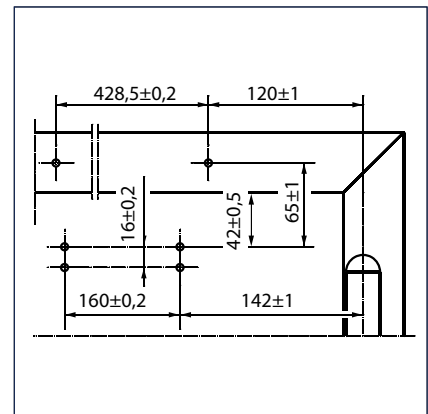
**Installation with mounting plate**



Cross-section = Installation with mounting plate



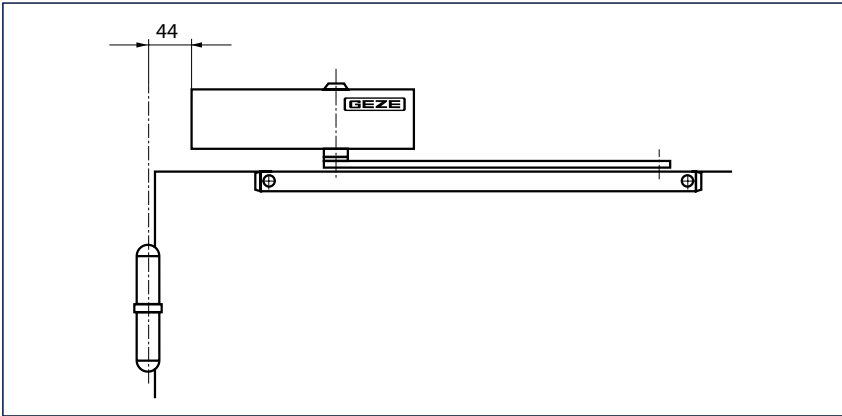
Fitting dimensions left-hand door



Fitting dimensions right-hand door

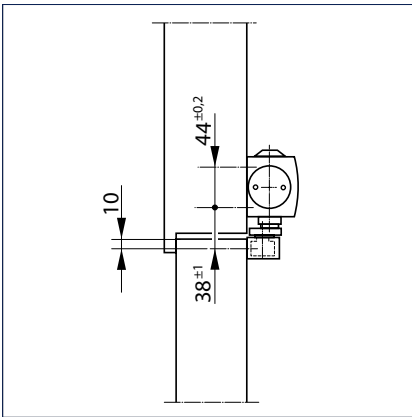
**Transom installation/hinge side TS 3000 V**

View

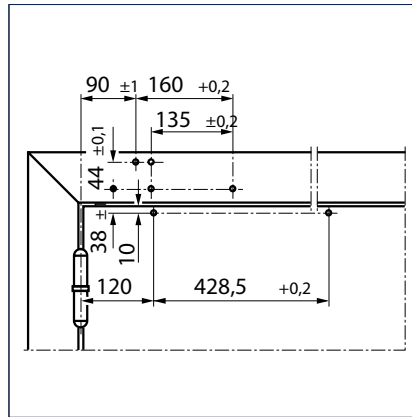


Example for installation

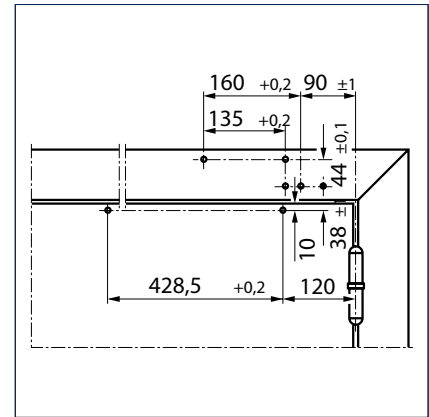
**Direct installation**



Cross-section = Direct installation

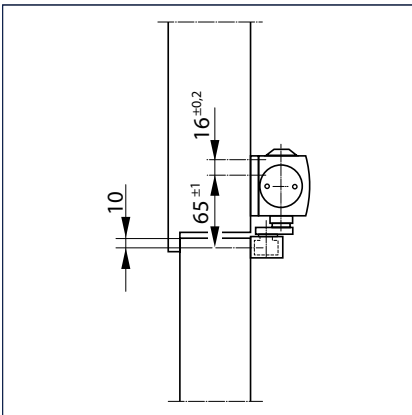


Fitting dimensions left-hand door

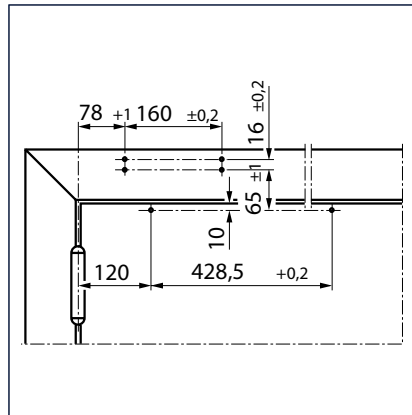


Fitting dimensions right-hand door

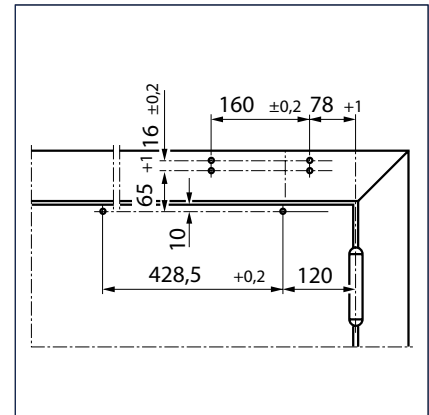
**Installation with mounting plate**



Cross-section = Installation with mounting plate



Fitting dimensions left-hand door

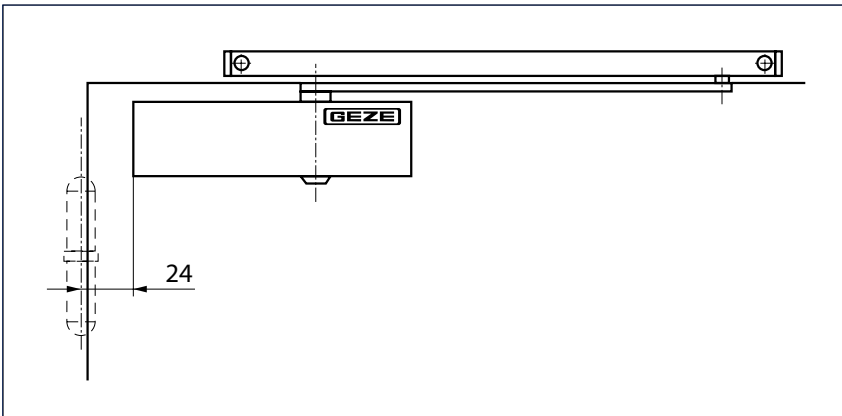


Fitting dimensions right-hand door



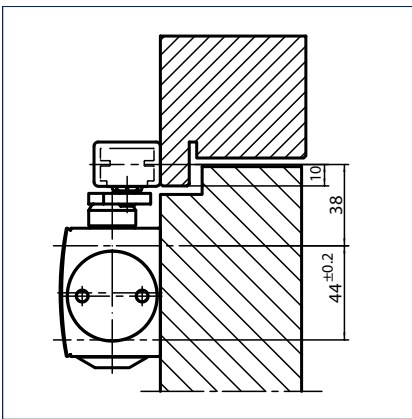
**Door leaf installation/opposite hinge side TS 3000 V**

View

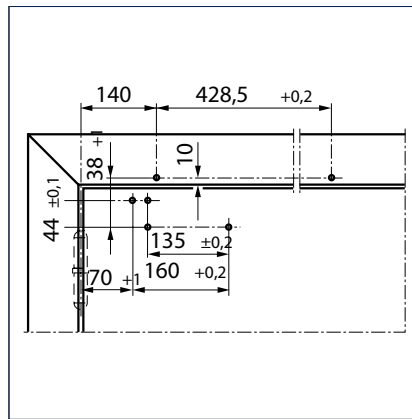


Example for installation

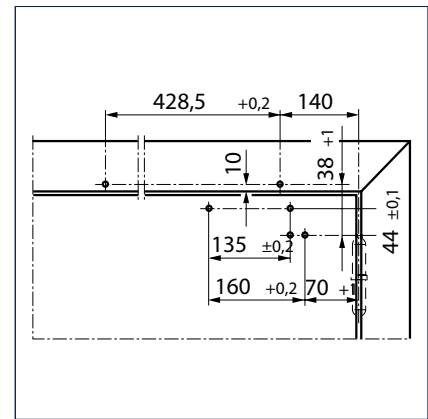
**Direct installation**



Cross-section = Direct installation

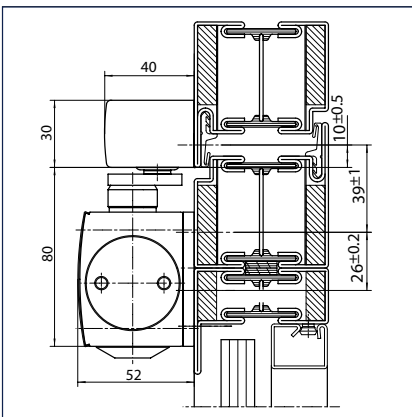


Fitting dimensions right-hand door

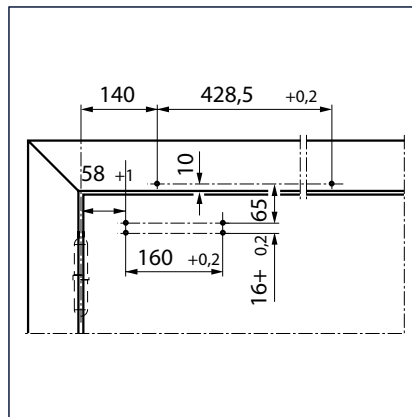


Fitting dimensions left-hand door

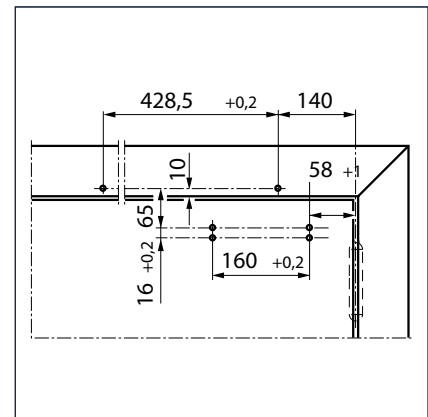
**Installation with mounting plate**



Cross-section = Installation with mounting plate



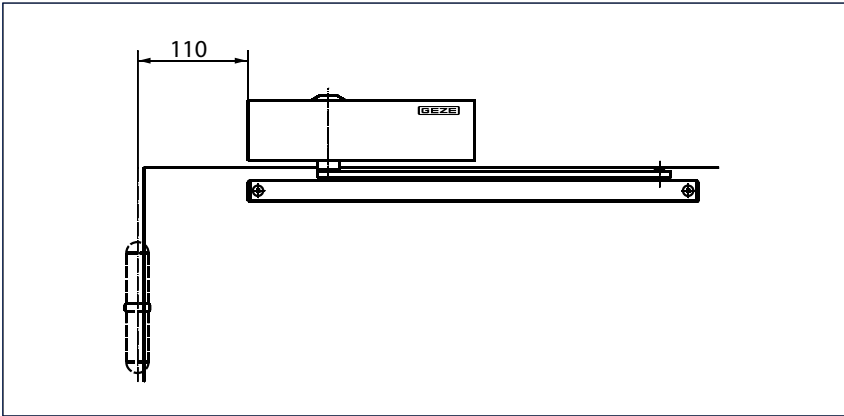
Fitting dimensions right-hand door



Fitting dimensions left-hand door

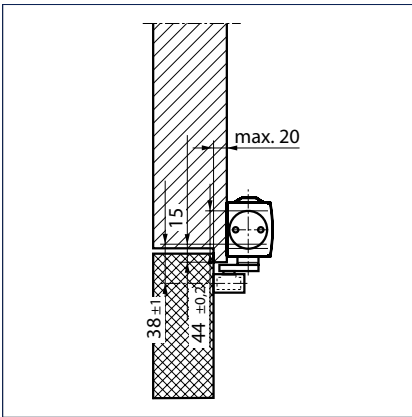
**Transom installation/opposite hinge side TS 3000 V**

View

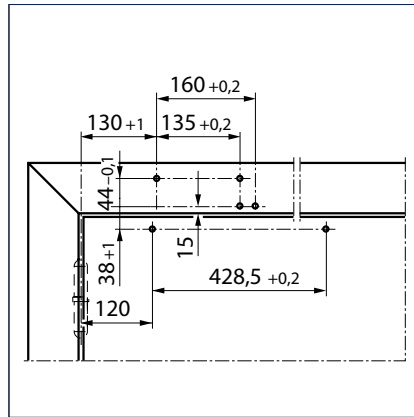


Example for installation

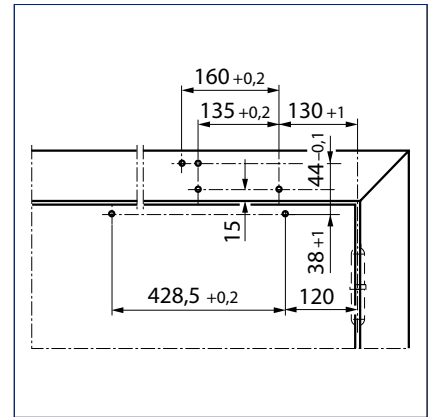
Direct installation



Cross-section = Direct installation

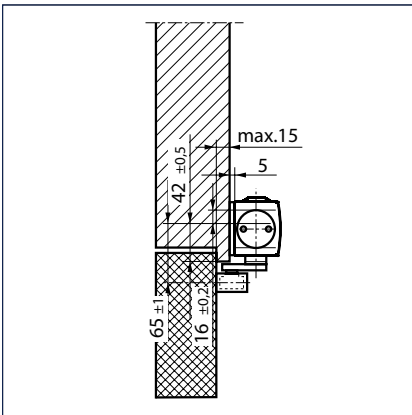


Fitting dimensions right-hand door

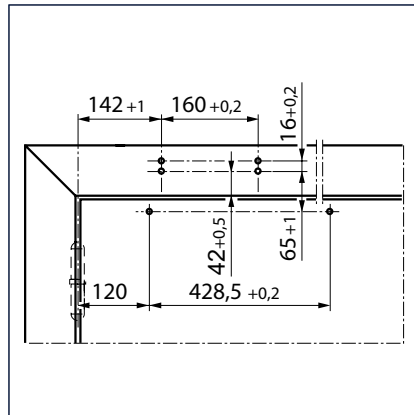


Fitting dimensions left-hand door

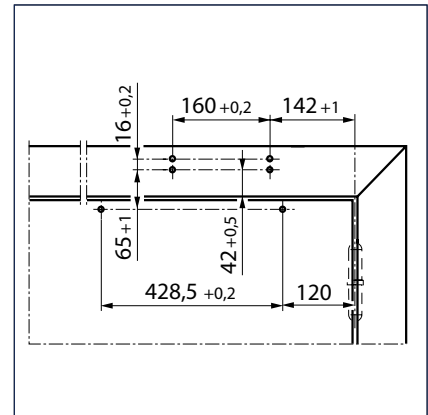
Installation with mounting plate



Cross-section = Installation with mounting plate



Fitting dimensions right-hand door



Fitting dimensions left-hand door

**GEZE TS 3000 V - Order information**

Description	Version	ID.No.
GEZE TS 3000 V closer Size EN 1-4 (without guide rail and lever)	silver-coloured	028348
	dark bronze	028349
	white RAL 9016	028350
	acc. to RAL <sup>2)</sup>	028351
GEZE TS 3000 V BC closer Size EN 1-4, with back check (without guide rail and lever)	silver-coloured	109326
	dark bronze	109327
	white RAL 9016	109328
	acc. to RAL <sup>2)</sup>	109329
GEZE TS 3000 EN3 closer Size EN 3 (without guide rail and lever)	silver-coloured	102247
	dark bronze	102306
	white RAL 9016	102307
	acc. to RAL <sup>2)</sup>	102308
Guide rail TS 5000/TS 3000 vertically adjustable Height compensation +/- 2 mm, with lever	silver-coloured	115191
	acc. to RAL <sup>2)</sup>	115192
Guide rail BG TS 5000/TS 3000 vertically adjustable Height compensation +/- 2 mm, with lever, use with closer on leaf installation opposite hinge side	silver-coloured	115193
	acc. to RAL <sup>2)</sup>	115194
Guide rail TS 5000/TS 3000 Standard, with lever	silver-coloured	068221
	dark bronze	068222
	white RAL 9016	015695
	simulated stainless steel <sup>1)</sup>	014945
	acc. to RAL <sup>2)</sup>	000773
Guide rail BG TS 5000/TS 3000 Standard, with lever, use with closer on leaf installation on the opposite hinge side	silver-coloured	025655
	white RAL 9016	029404
	simulated stainless steel <sup>1)</sup>	028732
	acc. to RAL <sup>2)</sup>	025656
T-Stop guide rail TS 5000/TS 3000 with integrated opening restrictor and lever	silver-coloured	102363
	white RAL 9016	108481
	simulated stainless steel <sup>1)</sup>	102364
	acc. to RAL <sup>2)</sup>	102365
T-Stop guide rail BG TS 5000/TS 3000 with integrated opening restrictor and lever, use with closer on leaf installation on the opposite hinge side or with pivot bearing in leaf and transom installation opposite hinge side	silver-coloured	102366
	white RAL 9016	108482
	simulated stainless steel <sup>1)</sup>	102367
	acc. to RAL <sup>2)</sup>	102368
<b>Installation materials</b>		
Mounting plate door closer for TS 3000 with hole pattern in accordance with DIN EN 1154 Supplement 1	silver-coloured	011230
	dark bronze	011232
	white RAL 9016	011233
	acc. to RAL <sup>2)</sup>	011234
Glass clamping shoe door closer for TS 3000/TS 2000 NV	silver-coloured	014835
	dark bronze	014836
	white RAL 9016	014843
	acc. to RAL <sup>2)</sup>	014845
Mounting and counterplate for all-glass door for TS 3000/TS 2000 NV	silver-coloured	090259
Mounting plate guide rail BG for standard / Ecline / T-Stop / EFS guide rail	silver-coloured	124683
	acc. to RAL <sup>2)</sup>	124684

Description	Version	ID.No.
Guide rail mounting plate for standard / ECLine / T-Stop / EFS guide rail	silver-coloured	001512
	white RAL 9016	129252
	acc. to RAL <sup>2)</sup>	104515
Lintel casing bracket guide rail BG for standard guide rail	silver-coloured	025657
	dark bronze	030033
	white RAL 9016	030034
	simulated stainless steel <sup>1)</sup>	028393
	acc. to RAL <sup>2)</sup>	025658
Lintel casing bracket guide rail BG for ECLine and T-Stop guide rail	silver-coloured	115006
	acc. to RAL <sup>2)</sup>	115007
Door closer drilling template for TS 5000/TS 4000/TS 3000/TS 2000		053134
<b>Accessories</b>		
Door closer cover cap for TS 3000/TS 2000, can only be used for door leaf installation	silver-coloured	013487
	dark bronze	014849
	white RAL 9016	014855
	stainless steel	072769
	brass	072770
	acc. to RAL <sup>2)</sup>	014856
Mechanical hold-open device for Standard / T-Stop / Boxer 20.7 mm guide rail, adjustable retention force, can be switched on and off, can be overridden		071924
Flexible opening restrictor for lightweight doors for riveted guide rail, standard guide rail BG and Boxer 20.7 mm guide rail		069780

1) Only for dry rooms

2) Surcharge for RAL special colours, see General Information in the Price List.

## GEZE TS 5000 Ecline

### Guide rail door closer for accessible, easily opening 1-leaf doors up to 1250 mm leaf width in accordance with DIN 18040

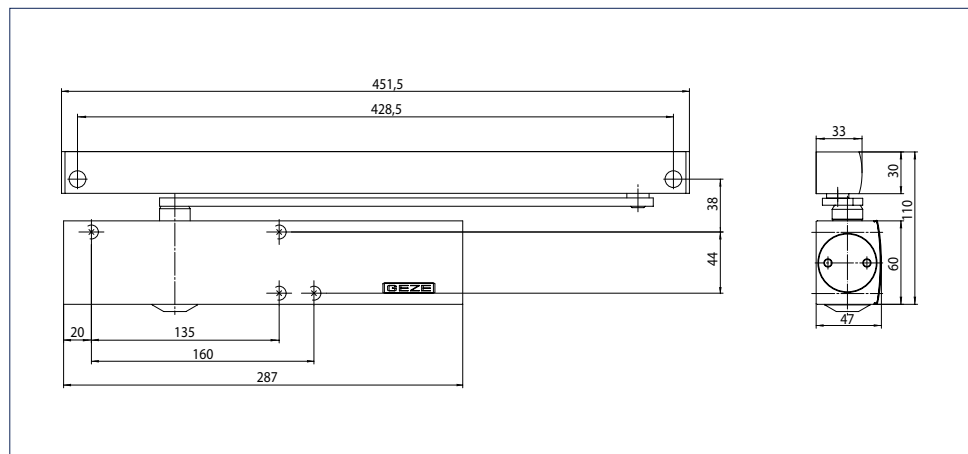
The TS 5000 Ecline is the ideal solution for buildings to enable access for all. Due to a consistent efficiency optimization of the entire system, the door closer achieves the high closing force EN5, respecting the maximum opening torque of 47 Nm, complying with the requirements of DIN 18040 standard. Thus, doors with leaf widths up to 1250 millimetre can be equipped for better accessibility. The efficiency of the TS 5000 Ecline door closer, assured by official measurements, exceeds 80 %, i.e. almost the entire force applied to open the door will be reused as closing force. Within the opening angle of 2°-60°, the new Ecline guide rail enables a decreasing opening torque of about 40 % according to the DIN SPEC 1104 recommendation. The result is an easier opening and a more convenient use of the door. Depending on the application, the opening support can also be switched off – for example, on doors exposed to wind load or pressure differences.

The TS 5000 Ecline does not need any further maintenance or installation work than other standard door closer systems. The drilling pattern is the same as for the TS 5000 standard closer. The opening support is delivered pre-assembled and pre-set.

### GEZE TS 5000 Ecline



### GEZE TS 5000 Ecline



### Application range

- Accessible to DIN 18040 up to EN5 (1250 mm leaf width)
- Very high degree of access convenience due to opening assistance integrated in the guide rail
- For single-action doors, leaf width up to 1250 mm
- For right and left hung doors
- For fire protection doors (door closer with mounting plate)

**Closer technical data**

Product features	GEZE TS 5000 Ecline closer	GEZE TS 5000 L Ecline closer
Closing force in accordance with EN 1154		3 - 5
Recommended leaf width up to		1250 mm
Same version for left and right-hand doors	•	•
Product tested in accordance with	Door closer tested in accordance with EN 1154 DIN 18040 up to EN5 (1250 mm leaf width)	
Fire protection door suitability	•	•
Length		287 mm
Overall depth		47 mm
Height		60 mm

**Functions**

Adjustable closing force		Yes, stepless
Adjustable closing speed	•	•
Adjustable latching action		Yes, via valve
Integrated back check		Yes, hydraulically adjustable
Position of closing force adjustment		Front
Visual display of the closing force	•	•
Safety valve against wilful damage	•	•
Thermo-control valves	•	•

- = YES
- = OPTIONAL

**Guide rail technical data**

Product features	Ecline guide rail TS 5000	Ecline guide rail TS 5000 BG
Length		452.5 mm
Overall depth		33 mm
Height		30 mm

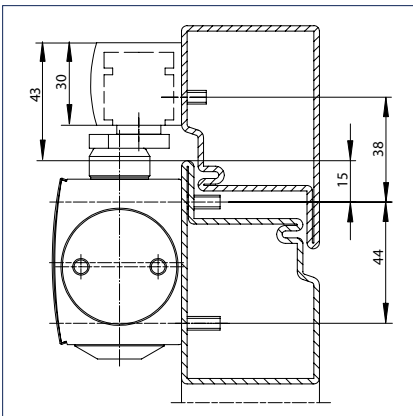
**Functions**

Integrated opening assistance	•	•
Opening assistance can be switched off	•	•
Mechanical hold-open device	◦	◦

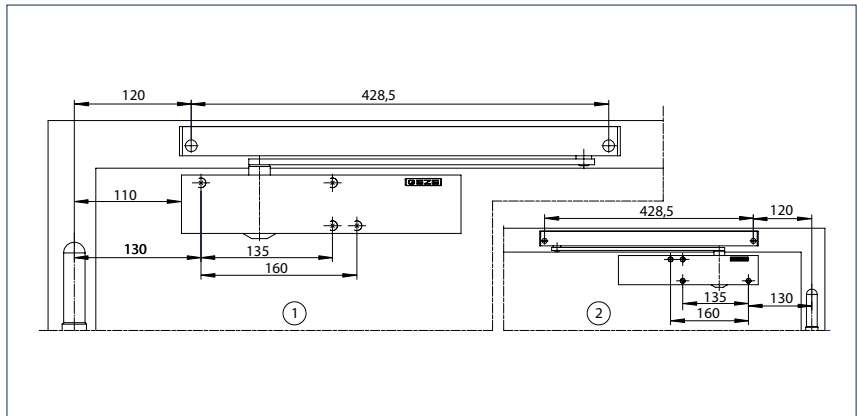
- = YES
- = OPTIONAL

**TS 5000 ECLine door leaf installation/hinge side**

Direct installation

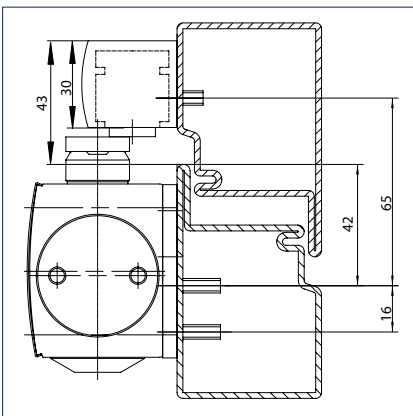


Cross-section = Direct installation

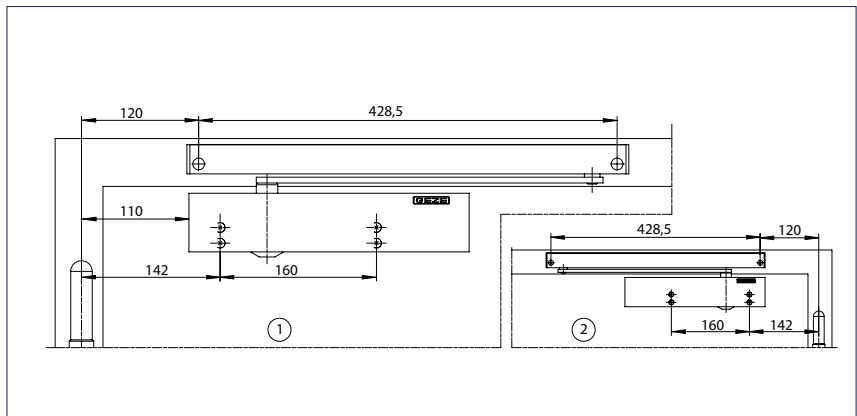


- 1 = Fitting dimensions DIN left
- 2 = DIN right

Installation with mounting plate



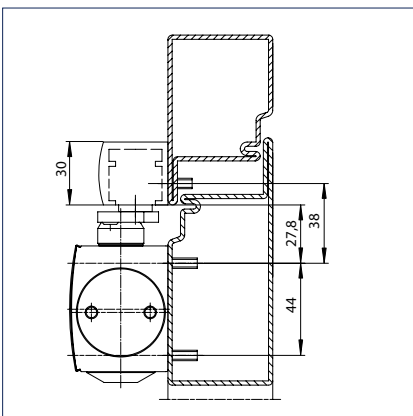
Cross-section = Installation with mounting plate



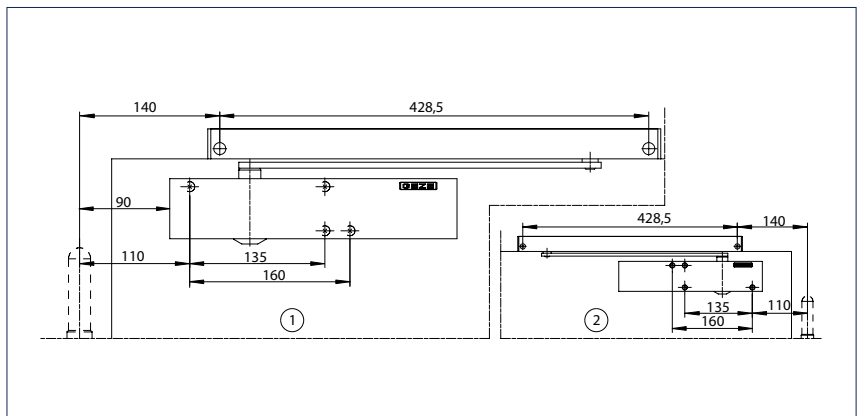
- 1 = Fitting dimensions DIN left
- 2 = DIN right

**TS 5000 L ECLine door leaf installation/opposite hinge side**

Direct installation

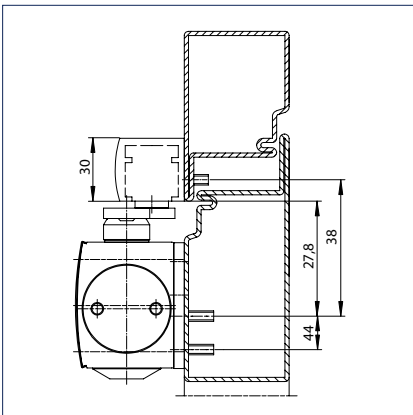


Cross-section = Direct installation

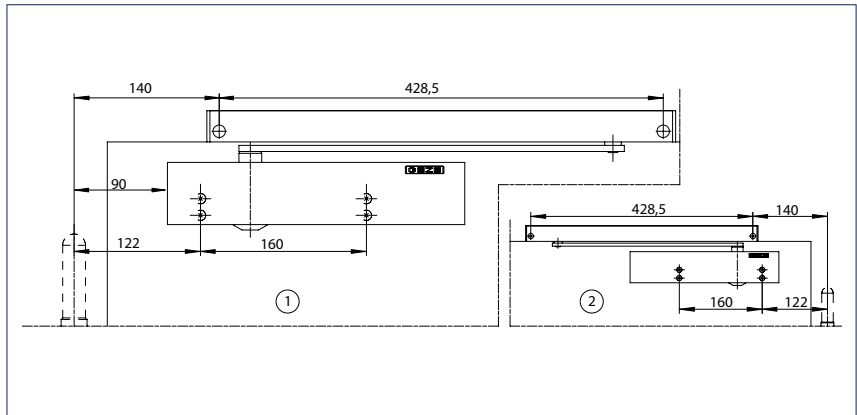


- 1 = Fitting dimensions DIN right
- 2 = DIN left

Installation with mounting plate



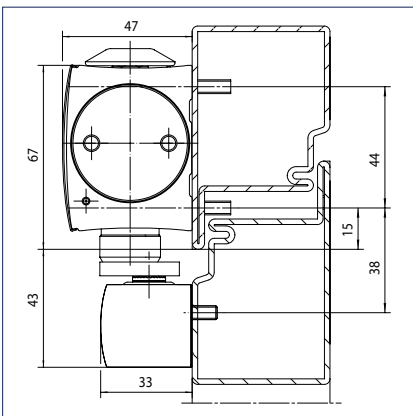
Cross-section = Installation with mounting plate



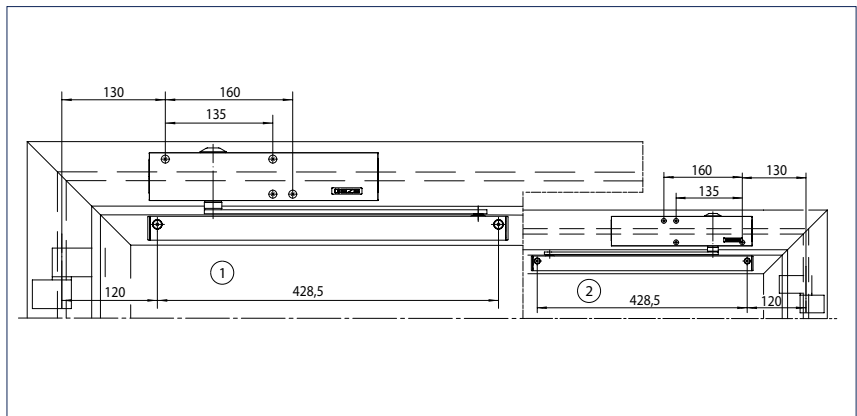
- 1 = Fitting dimensions DIN right
- 2 = DIN left

**TS 5000 Ecline Transom installation/opposite hinge side (back check not effective)**

Direct installation

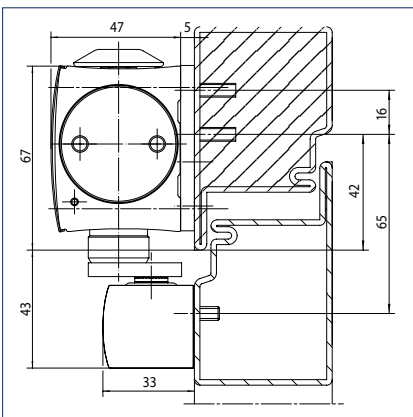


Cross-section = Direct installation

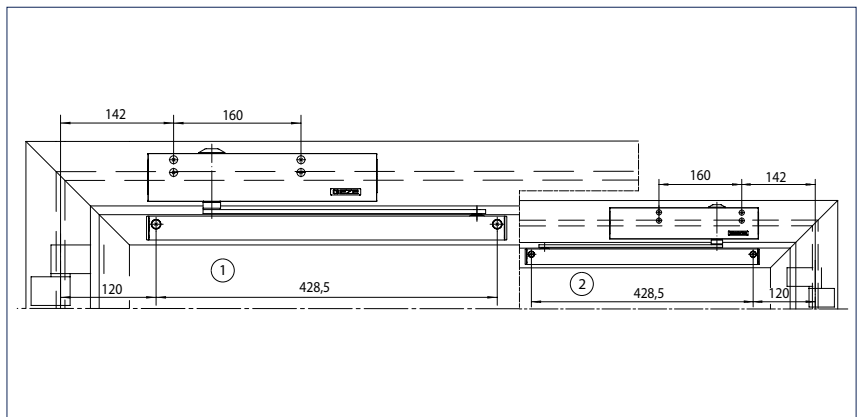


- 1 = Fitting dimensions DIN right
- 2 = DIN left

Installation with mounting plate



Cross-section = Installation with mounting plate

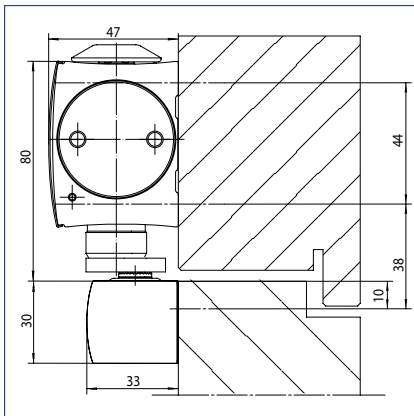


- 1 = Fitting dimensions DIN right
- 2 = DIN left

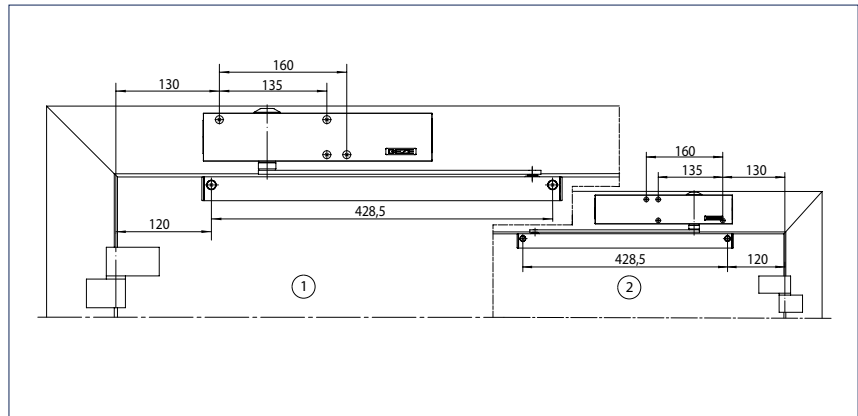


**TS 5000 L Ecline Transom installation/hinge side**

**Direct installation**

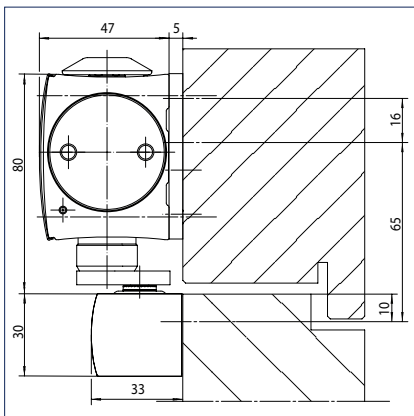


Cross-section = Direct installation

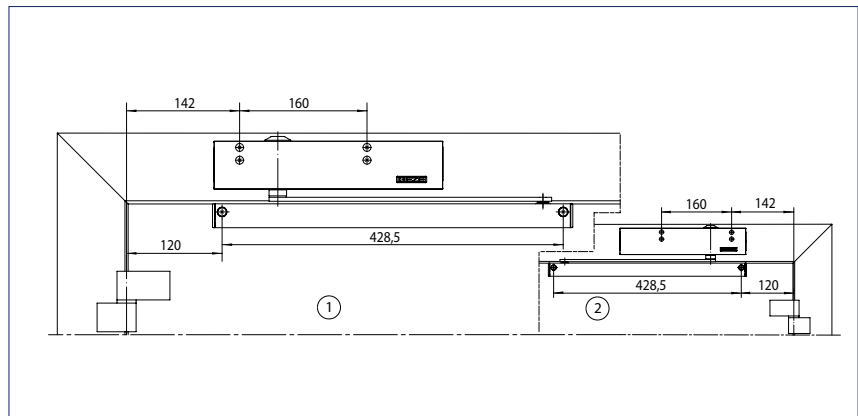


- 1 = Fitting dimensions DIN left
- 2 = DIN right

**Installation with mounting plate**



Cross-section = Installation with mounting plate



- 1 = Fitting dimensions DIN left
- 2 = DIN right

**GEZE TS 5000 Ecline - Order information**

Description	Version	ID.No.
GEZE TS 5000 Ecline closer Size EN 3-5, with back check (without guide rail and lever)	silver-coloured	143640
	white RAL 9016	143641
	stainless steel slide plate	143642
	acc. to RAL <sup>2)</sup>	143643
GEZE TS 5000 L Ecline closer Size EN 3-5, with back check (without guide rail and lever)	silver-coloured	143648
	white RAL 9016	143649
	stainless steel slide plate	143650
	acc. to RAL <sup>2)</sup>	143651
Ecline guide rail TS 5000 for use with TS 5000 Ecline closer, with integrated opening assistance for easy opening, with lever	silver-coloured	143572
	white RAL 9016	143575
	simulated stainless steel <sup>1)</sup>	143576
	acc. to RAL <sup>2)</sup>	143577
Ecline guide rail TS 5000 BG for use with TS 5000 L Ecline closer for door leaf installation opposite hinge side, with integrated opening assistance for easy opening, with lever	silver-coloured	143578
	white RAL 9016	143579
	simulated stainless steel <sup>1)</sup>	143580
	acc. to RAL <sup>2)</sup>	143582

Description	Version	ID.No.
<b>Installation materials</b>		
Door closer drilling template for TS 5000/TS 4000/TS 3000/TS 2000		053134
	silver-coloured	057126
Glass clamping shoe door closer for TS 5000/TS 4000	dark bronze	057127
	white RAL 9016	009491
	acc. to RAL	009494
	silver-coloured	007923
Mounting and counterplate for all-glass door for TS 5000/TS 4000	dark bronze	007924
	acc. to RAL	007926
	silver-coloured	001512
Guide rail mounting plate for standard / ECLine / T-Stop / EFS guide rail	white RAL 9016	129252
	acc. to RAL	104515
	silver-coloured	049185
Mounting plate door closer for TS 5000/TS 4000 with hole pattern in accordance with DIN EN 1154 Supplement 1	dark bronze	052351
	white RAL 9016	068627
	galvanised	057956
	simulated stainless steel	137725
	acc. to RAL	029176
Lintel casing bracket transom installation BG for TS 5000/TS 4000	silver-coloured	049240
	dark bronze	052352
	acc. to RAL	104451
Mounting plate guide rail BG for standard / ECLine / T-Stop / EFS guide rail	silver-coloured	124683
	acc. to RAL	124684
Lintel casing bracket guide rail BG for ECLine and T-Stop guide rail	silver-coloured	115006
	acc. to RAL	115007
<b>Accessories</b>		
Door closer cover cap for TS 5000/TS 5000 L/TS 4000, can only be used for door leaf installation	silver-coloured	067724
	dark bronze	067725
	white RAL 9016	067726
	stainless steel	072696
	brass	072698
	acc. to RAL	000756
Mechanical hold-open device for ECLine guide rail, retention force adjustable, can be switched on and off, can be overridden		148820

1) Only for dry rooms

2) Surcharge for RAL special colours, see General Information in the Price List.

## GEZE TS 5000

### Guide rail door closer for 1-leaf doors up to 1400 mm leaf width

The overhead door closer TS 5000 stands for clear lines and numerous system variants. It is approved for 1-leaf right and left single-action doors with larger leaf widths up to 1400 mm and for use on smoke and fire protection doors. The closing force, size 2-6 acc. to EN 1154, the thermally stabilised closing speed, the hydraulic latching action and the back check can all easily be regulated from the front in the installed state. The set closing force can easily be checked due to the visual size indicator.

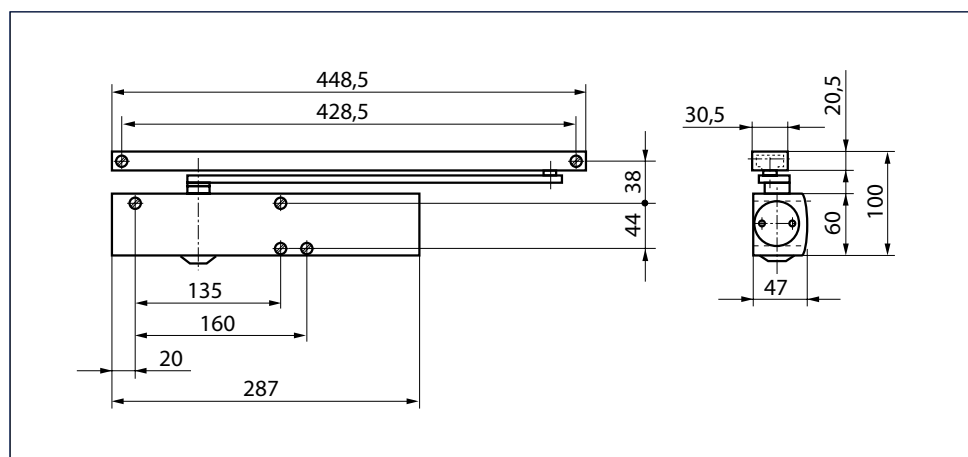
#### Special versions

- GEZE TS 5000 with mechanical hold-open device, freely adjustable between 80° and 130° (not permissible for use on smoke and fire protection doors)
- GEZE door closer TS 5000 S with delayed closing action adjustable from the front

### GEZE TS 5000



### GEZE TS 5000



#### Application range

- For single-action doors, leaf width up to 1400 mm
- Can be used for doors mounted on the right or left without conversion
- For fire protection doors (door closer with mounting plate)

## Closer technical data

Product features	GEZE TS 5000 closer	GEZE TS 5000 S closer	GEZE TS 5000 L closer
Closing force in accordance with EN 1154		2 - 6	
Recommended leaf width up to		1400 mm	
Same version for left and right-hand doors	●	●	●
Product tested in accordance with	Door closer tested in accordance with EN 1154		
Fire protection door suitability	●	●	●
Mounting plate with hole pattern in accordance with EN1154 supplement	●	●	●
Length		287 mm	
Overall depth		47 mm	
Height		60 mm	
<b>Functions</b>			
Adjustable closing force		Yes, stepless	
Adjustable closing speed	●	●	●
Adjustable latching action		Yes, via valve	
Integrated back check		Yes, hydraulically adjustable	
Integrated delayed closing action	-	●	-
Position of closing force adjustment		Front	
Visual display of the closing force	●	●	●
Safety valve against wilful damage	●	●	●
Thermo-control valves	●	●	●

- = YES
- = OPTIONAL

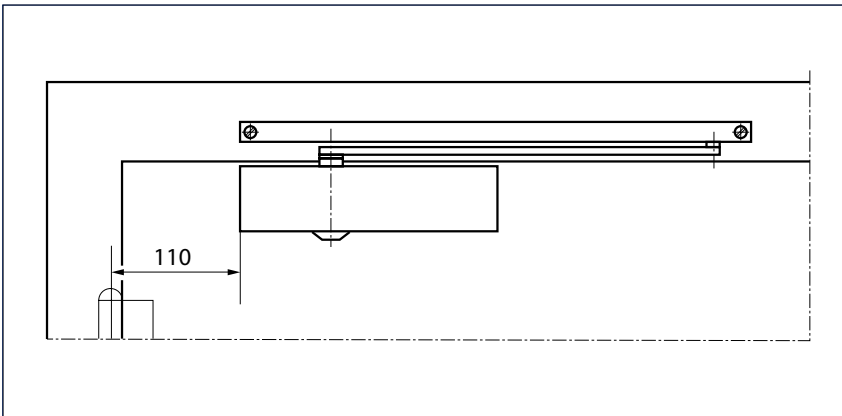
## Guide rail technical data

Product features	Guide rail TS 5000/ TS 3000 vertically adjustable	Guide rail TS 5000/ TS 3000	T-Stop guide rail TS 5000/TS 3000
Length	448.5 mm	448.5 mm	452.5 mm
Overall depth	30.5 mm	30.5 mm	33 mm
Height	20.5 mm	20.5 mm	30 mm
<b>Functions</b>			
Integrated opening restrictor	○	○	●
Integrated hold-open device	○	○	○
Opening assistance can be switched off	○	○	○

- = YES
- = OPTIONAL

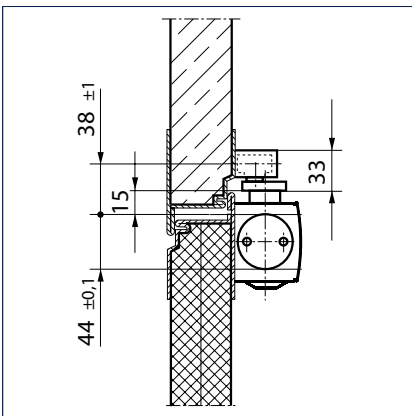
**Door leaf installation/hinge side TS 5000**

View

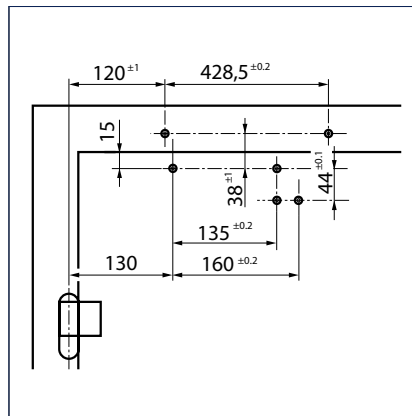


Example for installation

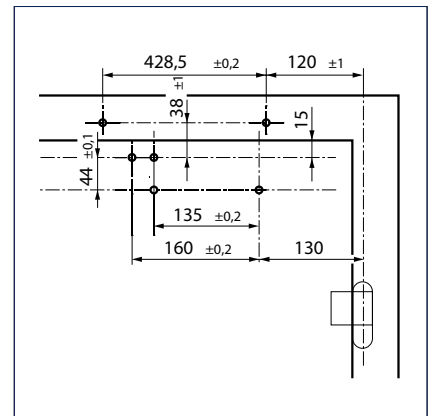
**Direct installation**



Cross-section = Direct installation

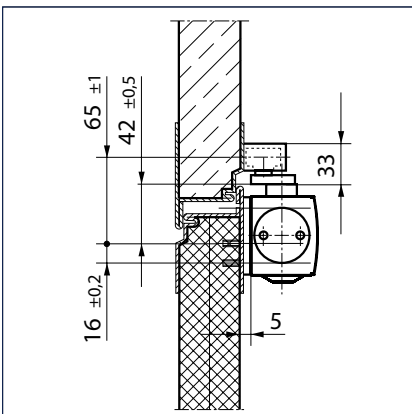


Fitting dimensions left-hand door

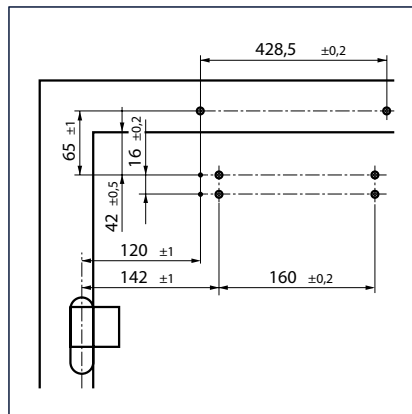


Fitting dimensions right-hand door

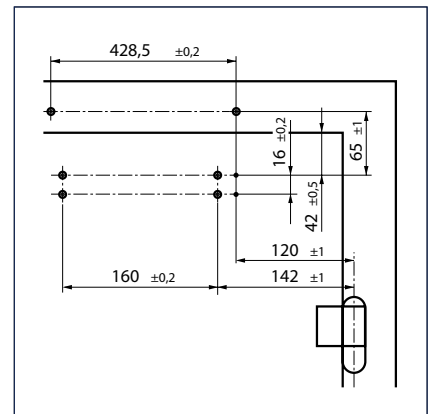
**Installation with mounting plate**



Cross-section = Installation with mounting plate

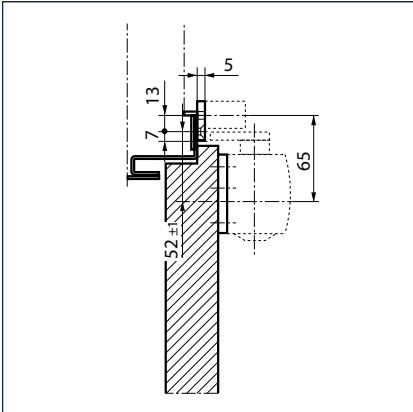


Fitting dimensions left-hand door

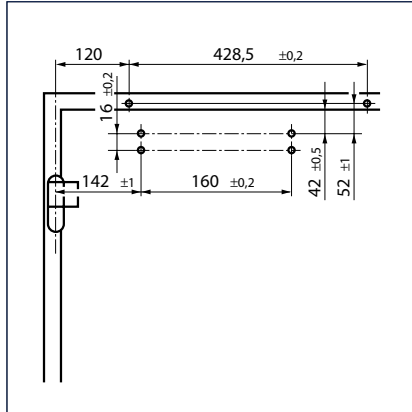


Fitting dimensions right-hand door

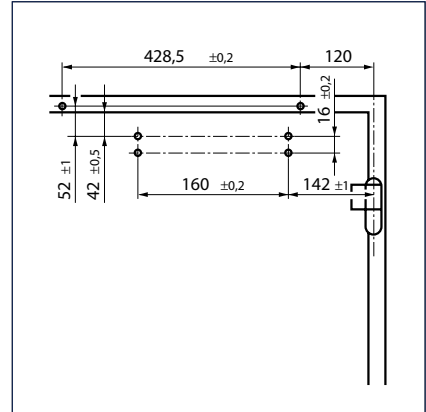
Installation on slim frames



Cross-section = Installation with mounting plate



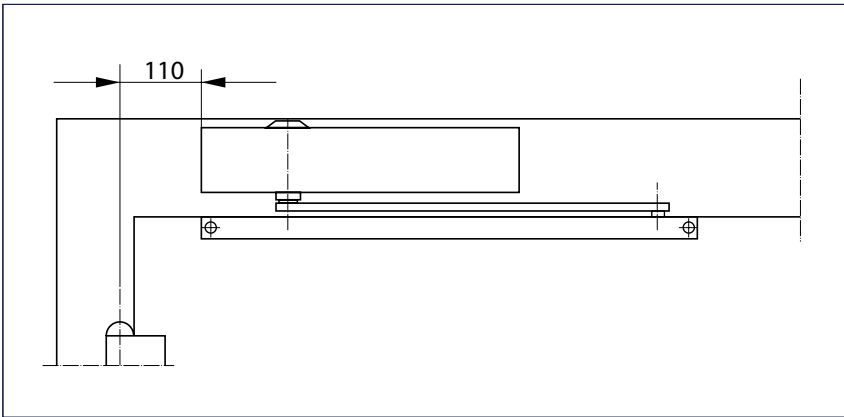
Fitting dimensions left-hand door



Fitting dimensions right-hand door

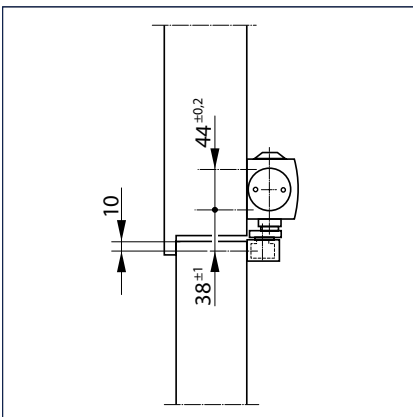
Transom installation/hinge side TS 5000 L

View

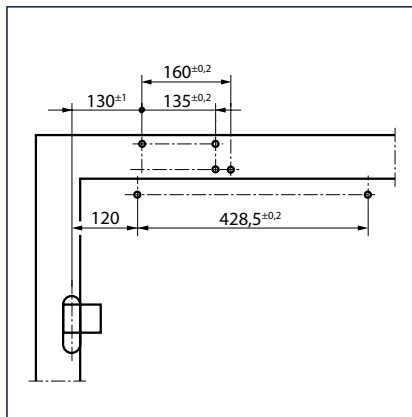


Example for installation

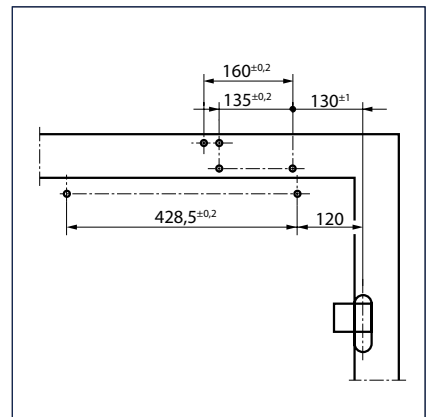
Direct installation



Cross-section = Direct installation

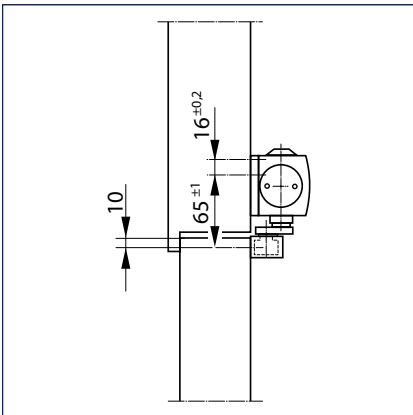


Fitting dimensions left-hand door

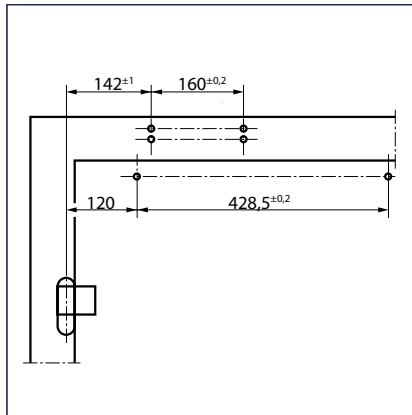


Fitting dimensions right-hand door

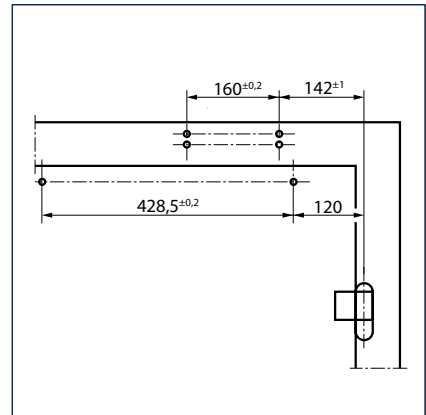
Installation with mounting plate



Cross-section = Installation with mounting plate



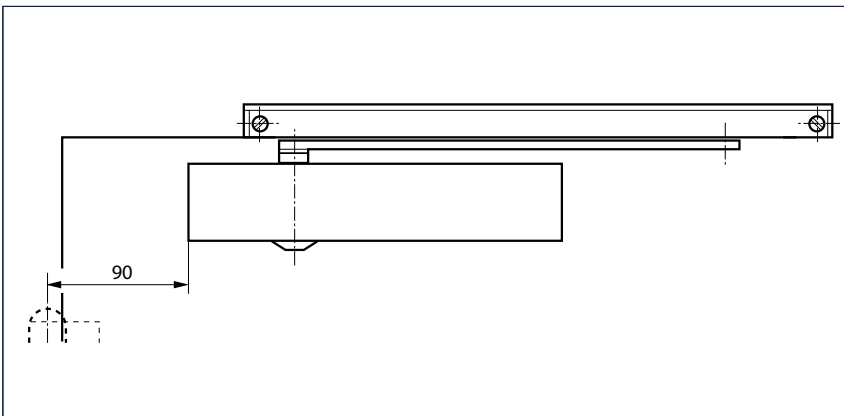
Fitting dimensions left-hand door



Fitting dimensions right-hand door

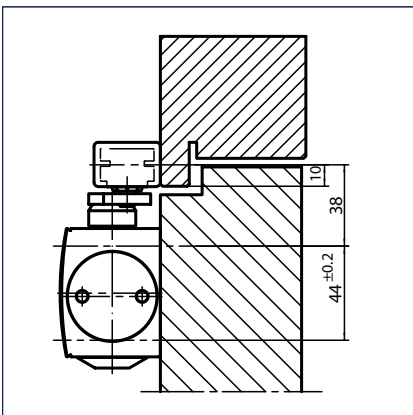
**Door leaf installation/opposite hinge side TS 5000 L**

View

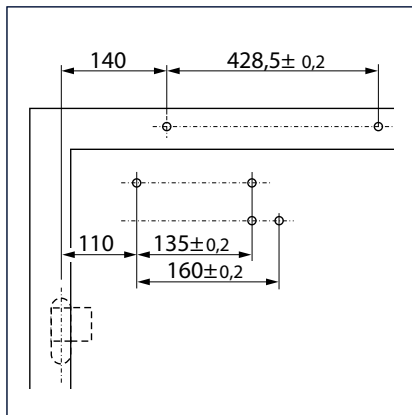


Example for installation

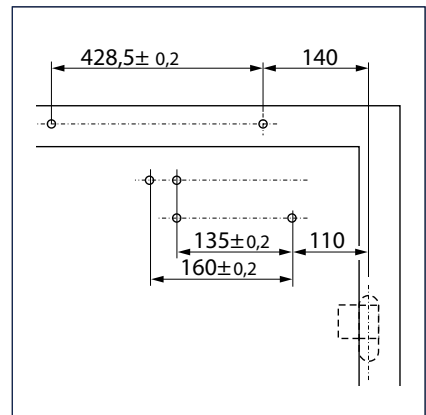
Direct installation



Cross-section = Direct installation

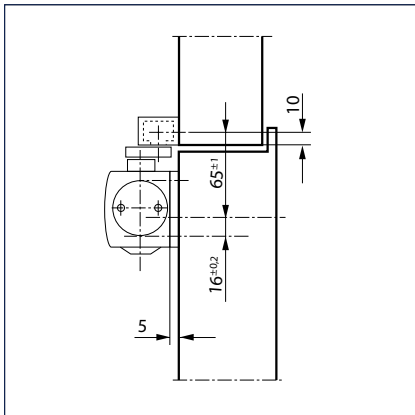


Fitting dimensions right-hand door

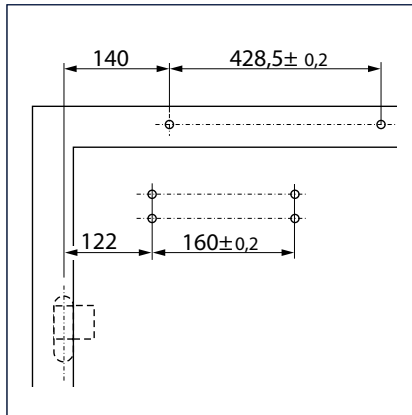


Fitting dimensions left-hand door

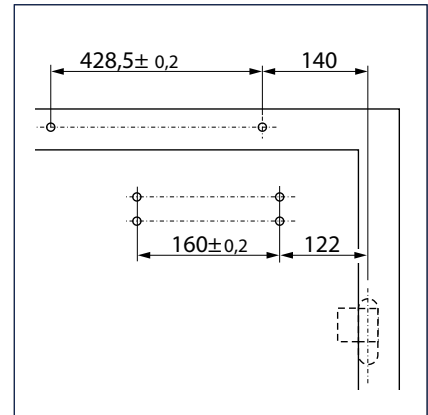
Installation with mounting plate



Cross-section = Installation with mounting plate

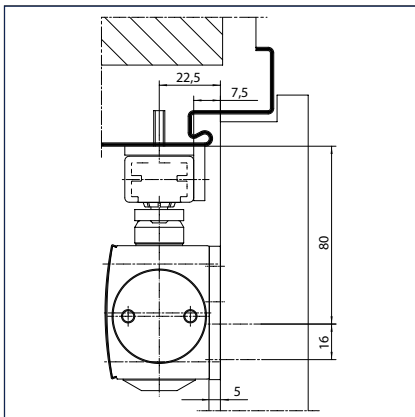


Fitting dimensions right-hand door



Fitting dimensions left-hand door

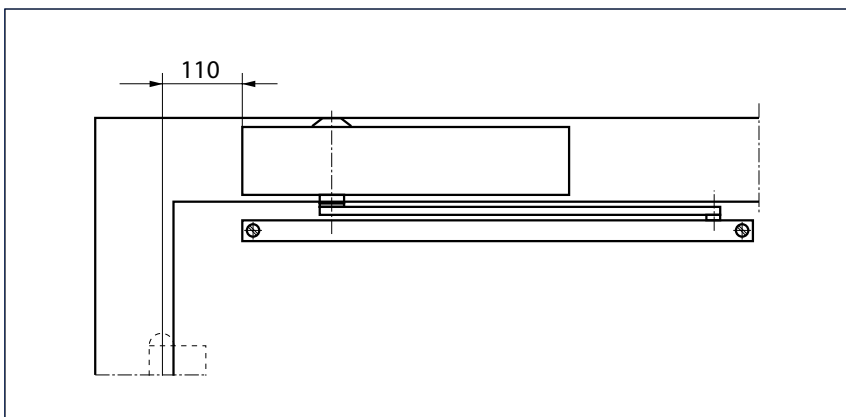
Installation with lintel casing bracket



Cross-section = Installation with mounting plate and lintel casing bracket

**Transom installation/opposite hinge side TS 5000 (back check not effective)**

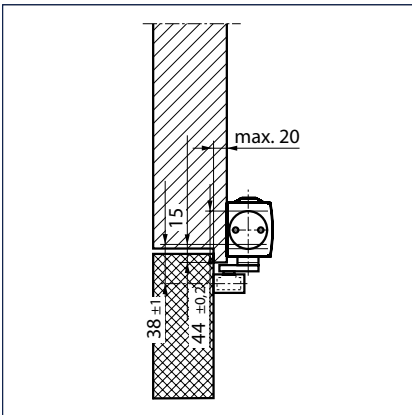
View



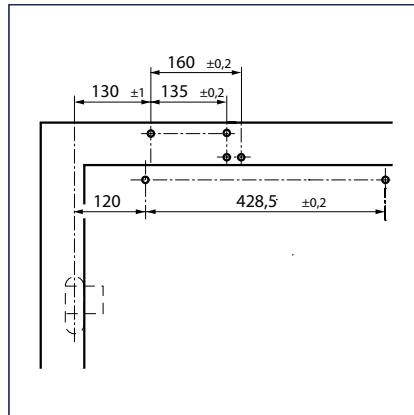
Example for installation



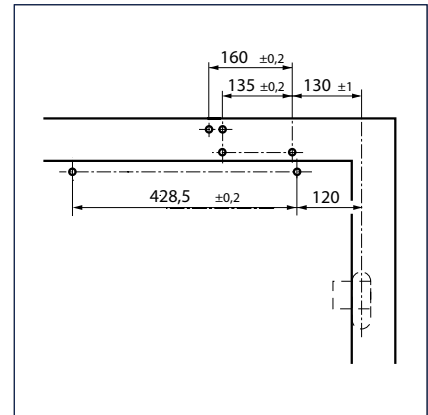
Direct installation



Cross-section = Direct installation

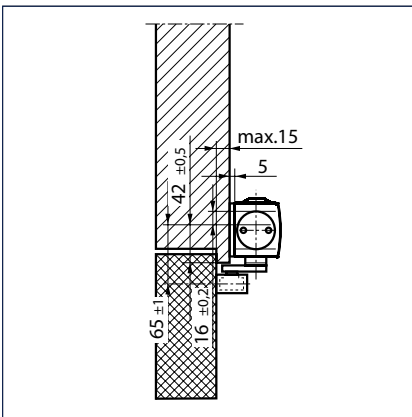


Fitting dimensions right-hand door

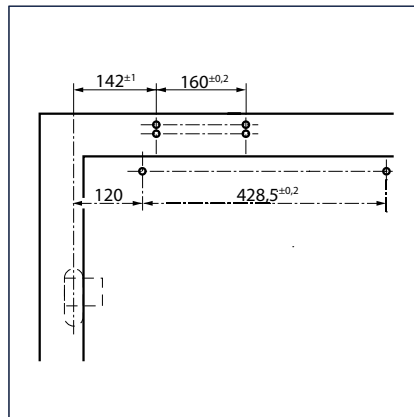


Fitting dimensions left-hand door

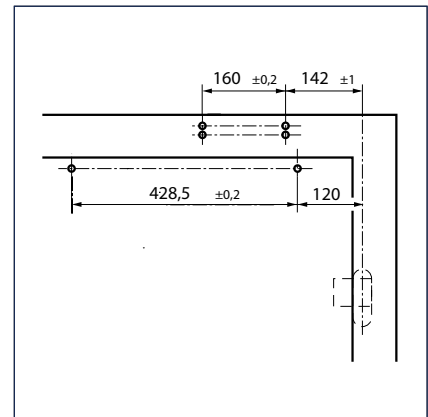
Installation with mounting plate



Cross-section = Installation with mounting plate



Fitting dimensions right-hand door



Fitting dimensions left-hand door

## GEZE TS 5000 - Order information

Description	Version	ID.No.
GEZE TS 5000 closer Size EN 2-6, with back check (without guide rail and lever)	silver-coloured	027333
	dark bronze	027334
	white RAL 9016	027335
	stainless steel slide plate	137721
	acc. to RAL <sup>2)</sup>	027336
GEZE TS 5000 S closer Size EN 2-6, with delayed closing action and back check (without guide rail and lever)	silver-coloured	107935
	dark bronze	107936
	white RAL 9016	107937
	stainless steel slide plate	137722
	acc. to RAL <sup>2)</sup>	107938
GEZE TS 5000 L closer Size EN 2-6, with back check (without guide rail and lever)	silver-coloured	027351
	dark bronze	029399
	white RAL 9016	029400
	stainless steel slide plate	137723
	acc. to RAL <sup>2)</sup>	027352
Guide rail TS 5000/TS 3000 vertically adjustable Height compensation +/- 2 mm, with lever	silver-coloured	115191
	acc. to RAL <sup>2)</sup>	115192
Guide rail TS 5000/TS 3000 Standard, with lever	silver-coloured	068221
	dark bronze	068222
	white RAL 9016	015695
	simulated stainless steel <sup>1)</sup>	014945
	acc. to RAL <sup>2)</sup>	000773
T-Stop guide rail TS 5000/TS 3000 with integrated opening restrictor and lever	silver-coloured	102363
	white RAL 9016	108481
	simulated stainless steel <sup>1)</sup>	102364
acc. to RAL <sup>2)</sup>		102365
	Guide rail BG TS 5000/TS 3000 vertically adjustable Height compensation +/- 2 mm, with lever, use with closer on leaf installation on the opposite hinge side	silver-coloured
acc. to RAL <sup>2)</sup>		115194
Guide rail BG TS 5000/TS 3000 Standard, with lever, use with closer on leaf installation on the opposite hinge side	silver-coloured	025655
	white RAL 9016	029404
	simulated stainless steel <sup>1)</sup>	028732
	acc. to RAL <sup>2)</sup>	025656
T-Stop guide rail BG TS 5000/TS 3000 with integrated opening restrictor and lever, use with closer on leaf installation on the opposite hinge side or with pivot bearing in leaf and transom installation opposite hinge side	silver-coloured	102366
	white RAL 9016	108482
	simulated stainless steel <sup>1)</sup>	102367
	acc. to RAL <sup>2)</sup>	102368
<b>Installation materials</b>		
Door closer drilling template for TS 5000/TS 4000/TS 3000/TS 2000		053134
	silver-coloured	057126
Glass clamping shoe door closer for TS 5000/TS 4000	dark bronze	057127
	white RAL 9016	009491
	acc. to RAL <sup>2)</sup>	009494

Description	Version	ID.No.
Mounting and counterplate for all-glass door for TS 5000/TS 4000	silver-coloured	007923
	dark bronze	007924
	acc. to RAL <sup>2)</sup>	007926
Guide rail mounting plate for standard / ECLine / T-Stop / EFS guide rail	silver-coloured	001512
	white RAL 9016	129252
	acc. to RAL <sup>2)</sup>	104515
Mounting plate door closer for TS 5000/TS 4000 with hole pattern in accordance with DIN EN 1154 Supplement 1	silver-coloured	049185
	dark bronze	052351
	white RAL 9016	068627
	galvanised	057956
Lintel casing bracket transom installation BG for TS 5000/TS 4000	acc. to RAL <sup>2)</sup>	029176
	silver-coloured	049240
	dark bronze	052352
Mounting plate guide rail BG for standard / ECLine / T-Stop / EFS guide rail	acc. to RAL <sup>2)</sup>	104451
	silver-coloured	124683
Lintel casing bracket guide rail BG for standard guide rail	acc. to RAL <sup>2)</sup>	124684
	silver-coloured	025657
	dark bronze	030033
	white RAL 9016	030034
	simulated stainless steel <sup>1)</sup>	028393
Lintel casing bracket guide rail BG for ECLine and T-Stop guide rail	acc. to RAL <sup>2)</sup>	025658
	silver-coloured	115006
Accessories	acc. to RAL <sup>2)</sup>	115007
	silver-coloured	067724
Door closer cover cap for TS 5000/TS 5000 L/TS 4000, can only be used for door leaf installation	dark bronze	067725
	white RAL 9016	067726
	stainless steel	072696
	brass	072698
	acc. to RAL <sup>2)</sup>	000756
Mechanical hold-open device for Standard / T-Stop / Boxer 20.7 mm guide rail, adjustable retention force, can be switched on and off, can be overridden		071924
Flexible opening restrictor for lightweight doors for riveted guide rail, standard guide rail BG and Boxer 20.7 mm guide rail		069780

1) Only for dry rooms

2) Surcharge for RAL special colours, see General Information in the Price List.

**GEZE TS 5000 E**

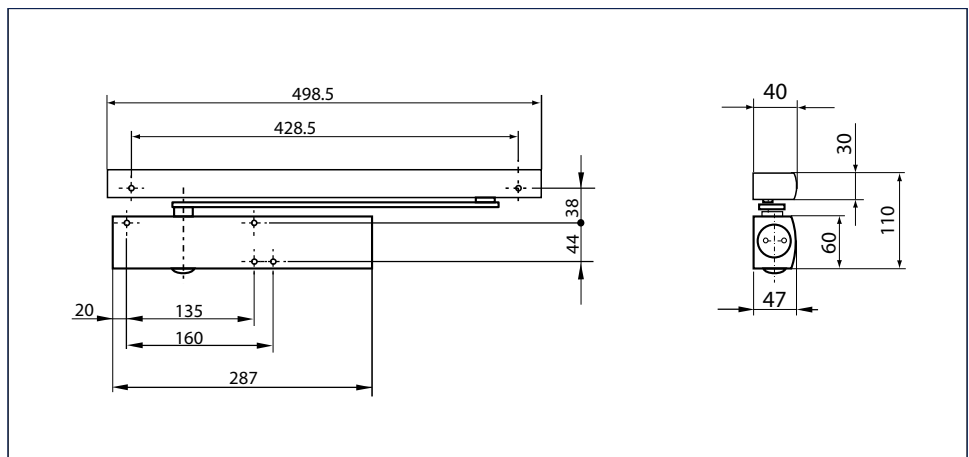
**Guide rail door closer for 1-leaf doors up to 1400 mm leaf width with electric hold-open device**

Due to the electromechanical hold-open device (in accordance with EN 1155) in the guide rail, which is only 30 mm high, the overhead door closer TS 5000 E can be adjusted exactly to any point between 80° and 130°. Since, if an additional smoke switch control unit is used, the hold-open device is released in the event of fire or a power failure and the door closes safely, this closer is approved for use with 1-leaf smoke and fire protection doors. The closing force size 2-6 in accordance with EN 1154, the closing speed, the latching action and the back check can be set from the front. The door closer has an optical size indicator. The retention force of the hold-open device can be adjusted and the hold-open position can be overridden.

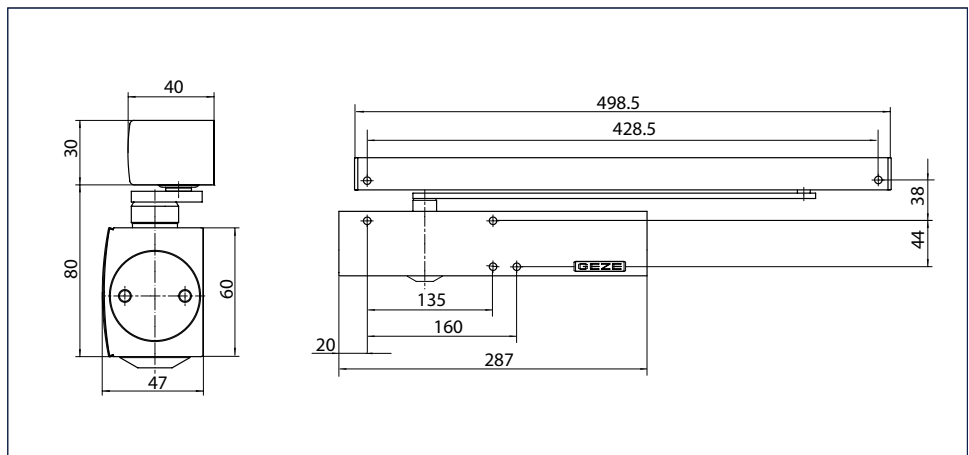
**GEZE TS 5000 E**



**GEZE TS 5000 E**



**GEZE TS 5000 L-E**



**Application range**

- For single-action doors, leaf width up to 1400 mm
- Can be used for doors mounted on the right or left without conversion
- For fire protection doors (door closer with mounting plate)

**Closer technical data**

Product features	GEZE TS 5000 closer	GEZE TS 5000 L closer
Closing force in accordance with EN 1154	2 - 6	
Recommended leaf width up to	1400 mm	
Same version for left and right-hand doors	•	•
Product tested in accordance with	Door closer tested in accordance with EN 1154	
Fire protection door suitability	•	•
Mounting plate with hole pattern in accordance with EN1154 supplement	•	•
Length	287 mm	
Overall depth	47 mm	
Height	60 mm	

**Functions**

Adjustable closing force	Yes, stepless	
Adjustable closing speed	•	•
Adjustable latching action	Yes, via valve	
Integrated back check	Yes, hydraulically adjustable	
Position of closing force adjustment	Front	
Visual display of the closing force	•	•
Safety valve against wilful damage	•	•
Thermo-control valves	•	•

- = YES
- = OPTIONAL

**Guide rail technical data**

Product features	E guide rail TS 5000	E guide rail BG TS 5000
Supply voltage	24 V DC	
Electrical power consumption	2,4 W	
Duty rating	100 %	
Residual ripple	20 %	
Enclosure rating	IP 43	
Product tested in accordance with	Hold-open mechanism tested in accordance with EN 1155	
Length	498.5 mm	
Overall depth	40 mm	
Height	30 mm	

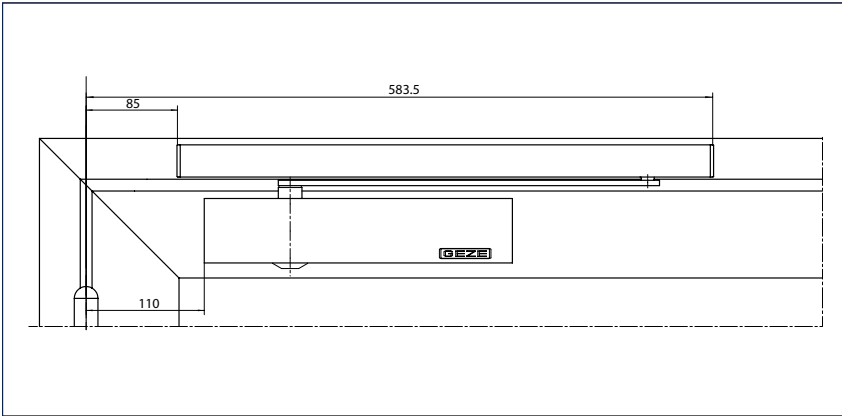
**Functions**

Integrated hold-open device	Electrical	
Hold-open device can be overridden	•	•
Hold-open angle	80 - 130 °	above 80°
Height correction possible	•	•
Flexible opening restrictor	○	○

- = YES
- = OPTIONAL

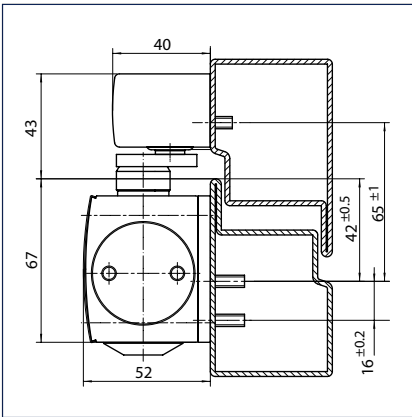
**Door leaf installation/hinge side TS 5000 E**

View

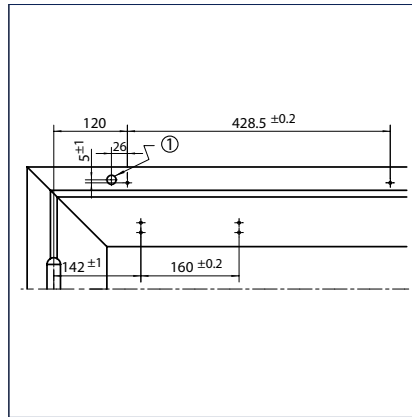


Example for installation

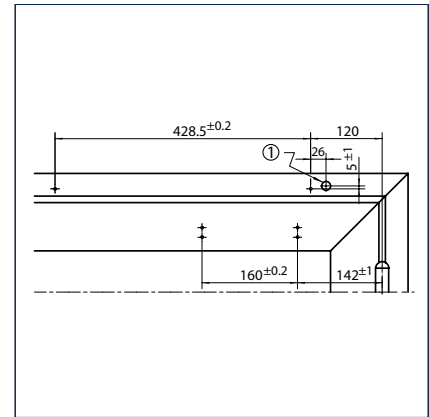
**Installation with mounting plate**



Cross-section = Installation with mounting plate

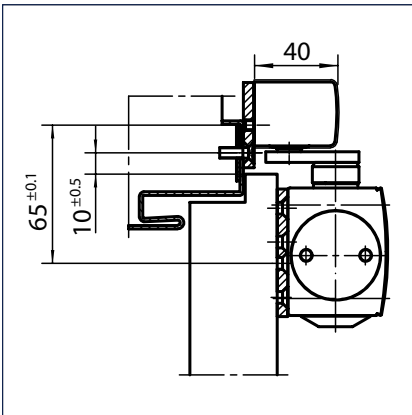


Fitting dimensions left-hand door  
1 =  $\varnothing$  15 line-feed 24 V

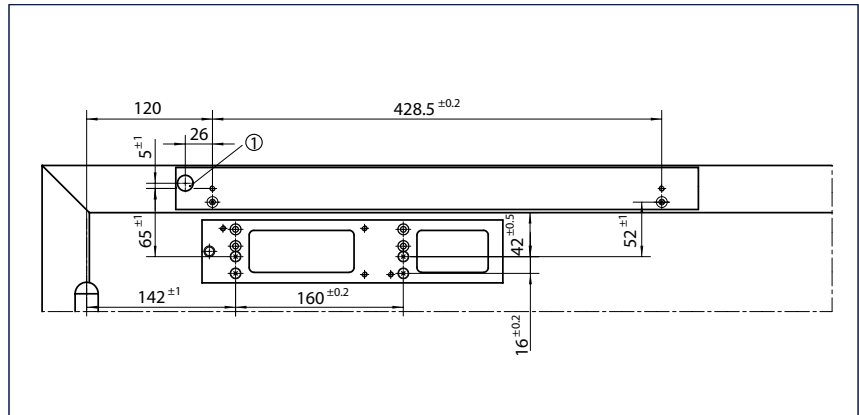


Fitting dimensions right-hand door  
1 =  $\varnothing$  15 line-feed 24 V

Installation on slim frames

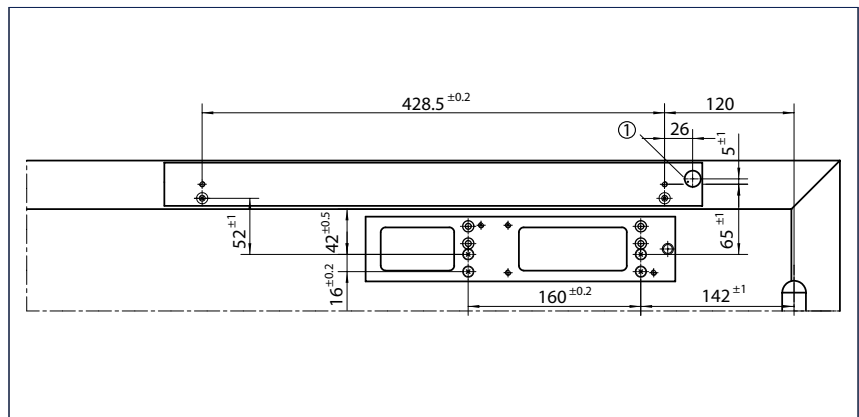


Cross-section = Installation with mounting plate



Fitting dimensions left-hand door

1 =  $\varnothing$  15 line-feed 24 V

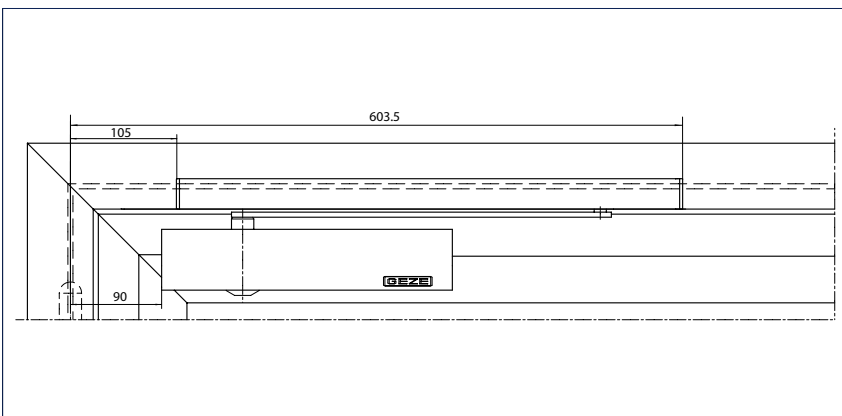


Fitting dimensions right-hand door

1 =  $\varnothing$  15 line-feed 24 V

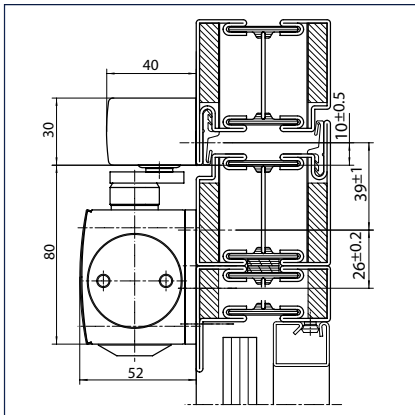
Door leaf installation/opposite hinge side TS 5000 L-E

View

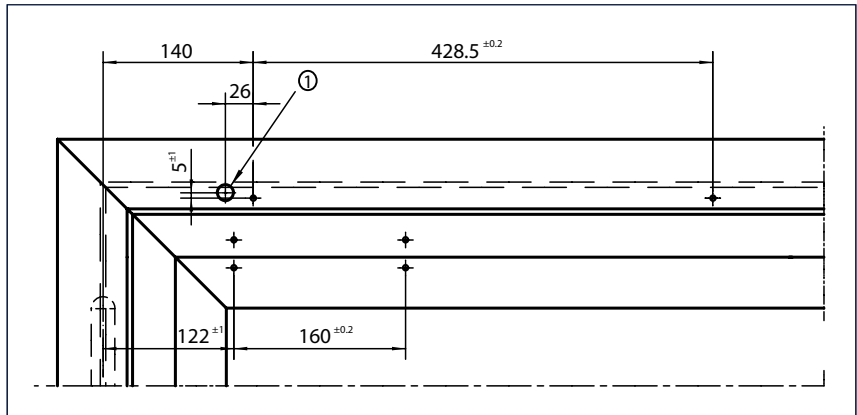


Example for installation

Installation with mounting plate

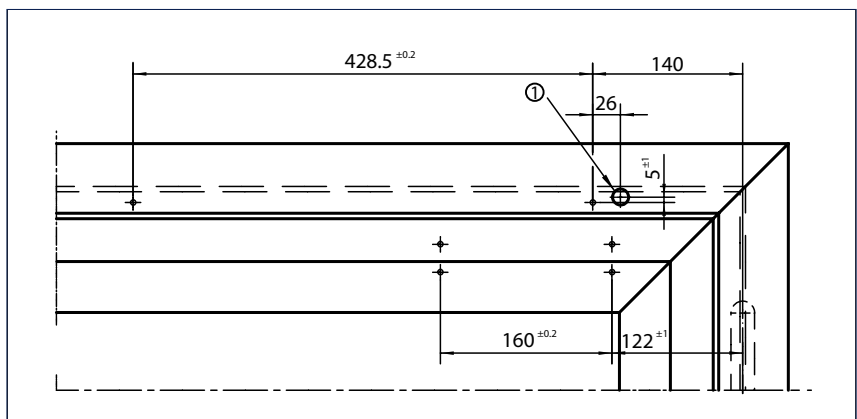


Cross-section = Installation with mounting plate



Fitting dimensions right-hand door

1 =  $\varnothing$  15 line-feed 24 V

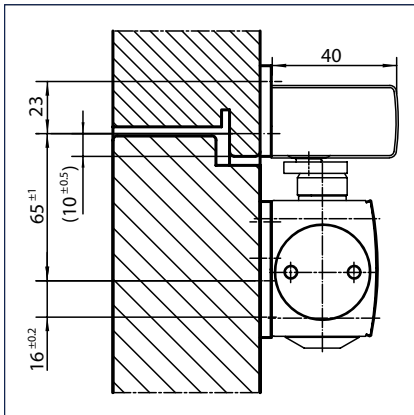


Fitting dimensions left-hand door

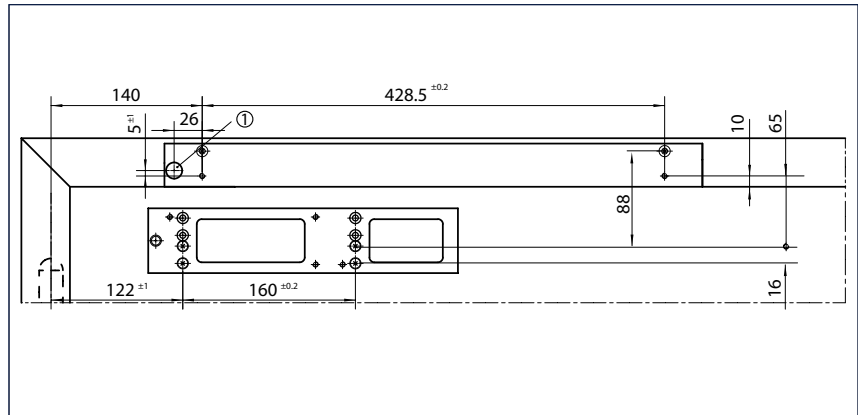
1 =  $\varnothing$  15 line-feed 24 V



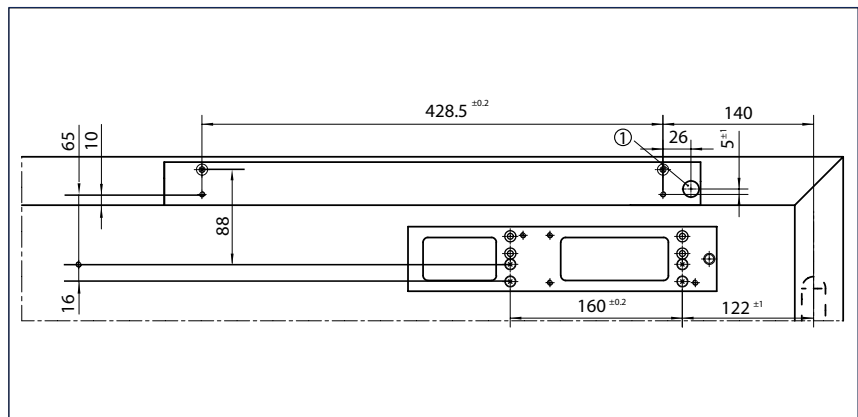
Installation on slim frames



Cross-section = Installation with mounting plate



Fitting dimensions right-hand door  
 1 = ø 15 line-feed 24 V



Fitting dimensions left-hand door  
 1 = ø 15 line-feed 24 V

GEZE TS 5000 E - Order information

Description	Version	ID.No.
GEZE TS 5000 closer Size EN 2-6, with back check (without guide rail and lever)	silver-coloured	027333
	dark bronze	027334
	white RAL 9016	027335
	stainless steel slide plate	137721
	acc. to RAL <sup>2)</sup>	027336
GEZE TS 5000 L closer Size EN 2-6, with back check (without guide rail and lever)	silver-coloured	027351
	dark bronze	029399
	white RAL 9016	029400
	stainless steel slide plate	137723
	acc. to RAL <sup>2)</sup>	027352
E guide rail TS 5000 with electric hold-open device and lever	silver-coloured	116295
	dark bronze	116296
	white RAL 9016	116297
	simulated stainless steel <sup>1)</sup>	116298
	acc. to RAL <sup>2)</sup>	116299
E guide rail BG TS 5000 with electric hold-open device and lever	silver-coloured	120039
	white RAL 9016	120040
	simulated stainless steel <sup>1)</sup>	120071
	acc. to RAL <sup>2)</sup>	120072

Description	Version	ID.No.
<b>Installation materials</b>		
Door closer drilling template for TS 5000/TS 4000/TS 3000/TS 2000		053134
Guide rail mounting plate for E guide rail	silver-coloured	123294
	acc. to RAL <sup>2)</sup>	123295
Mounting plate door closer for TS 5000/TS 4000 with hole pattern in accordance with DIN EN 1154 Supplement 1	silver-coloured	049185
	dark bronze	052351
	white RAL 9016	068627
	galvanised	057956
Mounting plate guide rail BG for E guide rail	acc. to RAL <sup>2)</sup>	029176
	silver-coloured	123289
Lintel casing bracket guide rail BG for E guide rail	acc. to RAL <sup>2)</sup>	123290
	silver-coloured	123322
	acc. to RAL <sup>2)</sup>	123323
<b>Accessories</b>		
GEZE flexible opening restrictor for guide rail 1-leaf: TS 5000 E/R/RFS (leaf installation), Boxer E; 2-leaf: all E/R-ISM variants TS 5000 and Boxer		145311
Door closer cover cap for TS 5000/TS 5000 L/TS 4000, can only be used for door leaf installation	silver-coloured	067724
	dark bronze	067725
	white RAL 9016	067726
	stainless steel	072696
	brass	072698
GEZE smoke switch control unit RSZ 6 Smoke switch and power supply for all GEZE hold-open mechanisms	acc. to RAL <sup>2)</sup>	000756
	silver-coloured	099851
	dark bronze	099857
	white RAL 9016	099858
GEZE smoke detector GC 152 Complete with base, 24 V DC, 20 mA, tested in accordance with EN54-7, with general approval for use with all GEZE hold-open systems, integrated line monitoring, conform with DIN EN 14637	simulated stainless steel <sup>1)</sup>	099856
	acc. to RAL <sup>2)</sup>	099859
GEZE thermal detector GC 153 Complete with base, 24 V DC, 20 mA, tested in accordance with EN54-5, with general approval for use with all GEZE hold-open systems, integrated line monitoring, conform with DIN EN 14637	white	139850
GEZE manual trigger switch Flush-mounted version, for manual release of electrically controllable door hold-open mechanisms including terminating resistance for line monitoring	white	139881
Surface-mounted box, single suitable for the AS 500 switch range	alpine white	116266
GEZE manual trigger switch with glass cover and 5 interchangeable letterings Flush-mounted version, for manual release of electrically controllable door hold-open mechanisms including terminating resistance for line monitoring		120503
Replacement glass cover for GEZE manual trigger switch 120880 and 120881	alpine white	120880

1) Only for dry rooms

2) Surcharge for RAL special colours, see General Information in the Price List.

## GEZE TS 5000 R

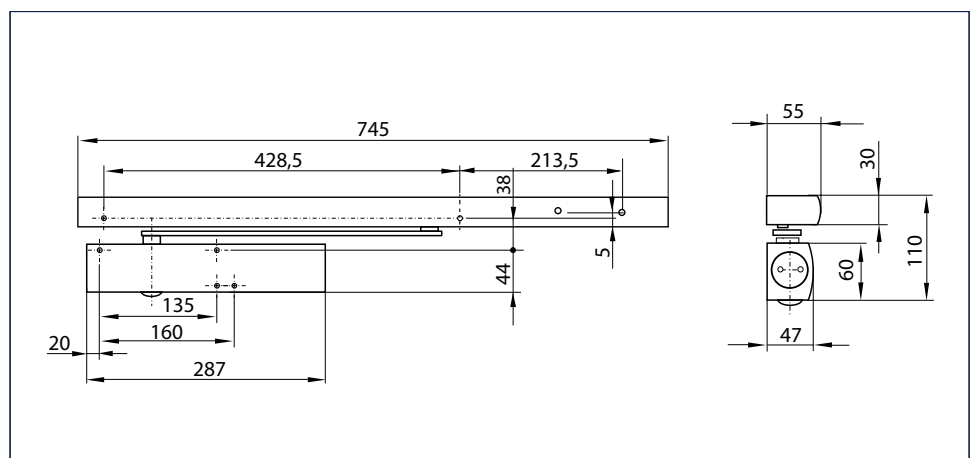
### Guide rail door closer for 1-leaf doors up to 1400 mm with electric hold-open device and smoke switch control unit

The overhead door closer TS 5000 R with electromechanical hold-open device (in accordance with EN 1155) and integrated smoke switch control unit in the guide rail, which is only 30 mm high, is approved for installation on 1-leaf smoke and fire protection doors. In the event of fire, the smoke detector triggers and the door closes automatically. The closing force in accordance with EN 1154 size 2-6, the closing speed and the latching action can be set from the front, the door closer has an adjustable back check and an optical size indicator. The retention force of the hold-open device can be adjusted and the hold-open position can be overridden. The hold-open system has a certificate of general building approval.

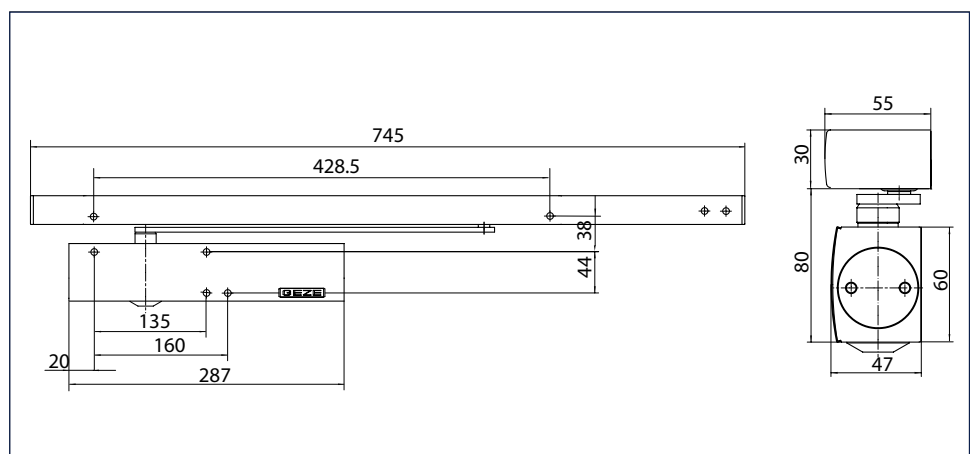
### GEZE TS 5000 R



### GEZE TS 5000 R



### GEZE TS 5000 L-R



## GEZE TS 3000 V / SYSTEM TS 5000

**Application range**

- For single-action doors, leaf width up to 1400 mm
- Can be used for doors mounted on the right or left without conversion
- For fire protection doors (door closer with mounting plate)

**Closer technical data**

Product features	GEZE TS 5000 closer	GEZE TS 5000 L closer
Closing force in accordance with EN 1154	2 - 6	
Recommended leaf width up to	1400 mm	
Same version for left and right-hand doors	•	•
Product tested in accordance with	Door closer tested in accordance with EN 1154	
Fire protection door suitability	•	•
Mounting plate with hole pattern in accordance with EN1154 supplement	•	•
Length	287 mm	
Overall depth	47 mm	
Height	60 mm	

**Functions**

Adjustable closing force	Yes, stepless	
Adjustable closing speed	•	•
Adjustable latching action	Yes, via valve	
Integrated back check	Yes, hydraulically adjustable	
Position of closing force adjustment	Front	
Visual display of the closing force	•	•
Safety valve against wilful damage	•	•
Thermo-control valves	•	•

- = YES
- = OPTIONAL

**Guide rail technical data**

Product features	R guide rail TS 5000	R guide rail BG TS 5000
Supply voltage	230 V 50 Hz	
Duty rating	100 %	
Enclosure rating	IP 20	
Product tested in accordance with	Hold-open mechanism tested in accordance with EN 1155 General building approval from DIBt as a hold-open system	
Length	745 mm	
Overall depth	55 mm	
Height	30 mm	

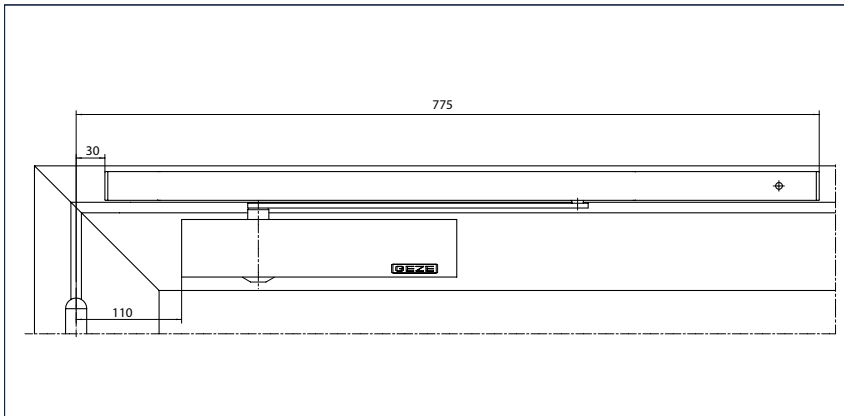
**Functions**

Integrated hold-open device	Electrical	
Hold-open device can be overridden	•	•
Hold-open angle	80 - 130 °	above 80°
Integrated smoke switch	•	•
with visual operating state display	•	•
with clogging indicator	•	•
with adaption of the alarm threshold	•	•
Integrated power supply	•	•
Height correction possible	•	•
Flexible opening restrictor	○	○

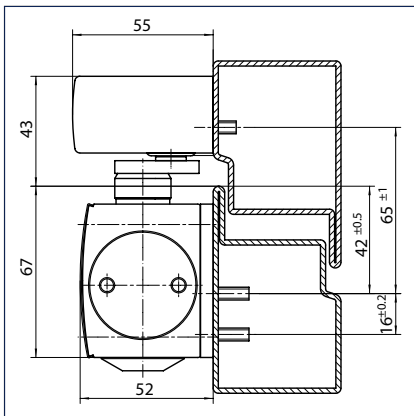
- = YES
- = OPTIONAL

**Door leaf installation/hinge side TS 5000 R**

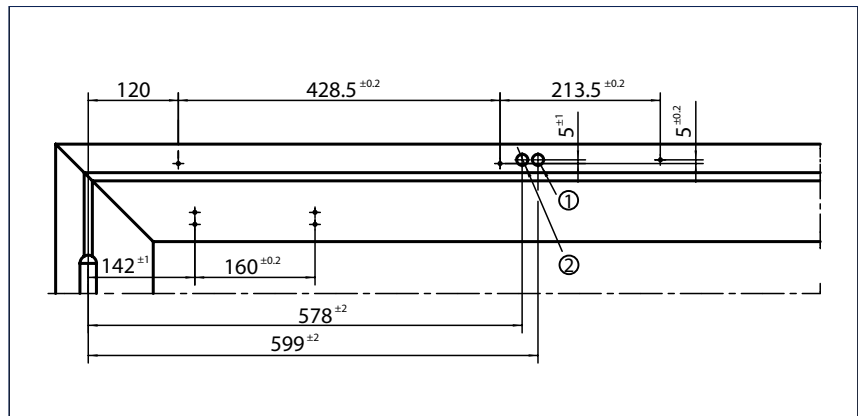
View



Example for installation

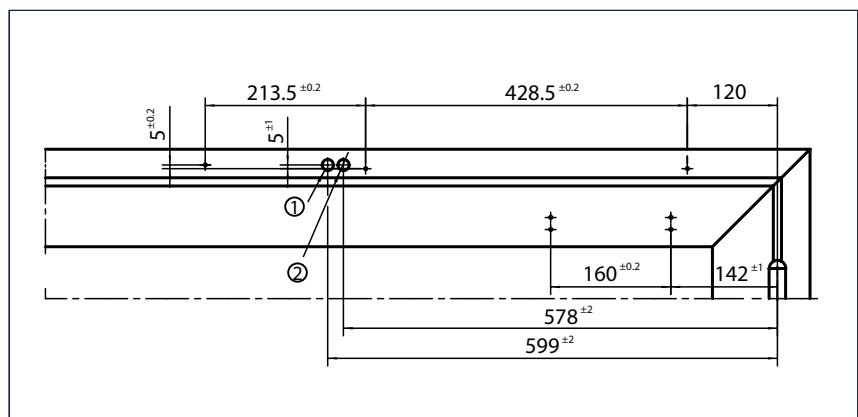
**Installation with mounting plate**

Cross-section = Installation with mounting plate (distance R guide rail to the ceiling min. 20 mm)



Fitting dimensions left-hand door

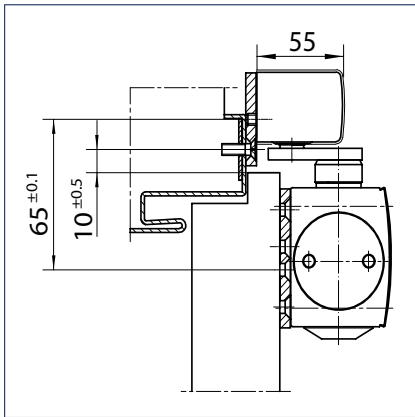
- 1 =  $\varnothing$  15 additional cable
- 2 =  $\varnothing$  15 230 V AC



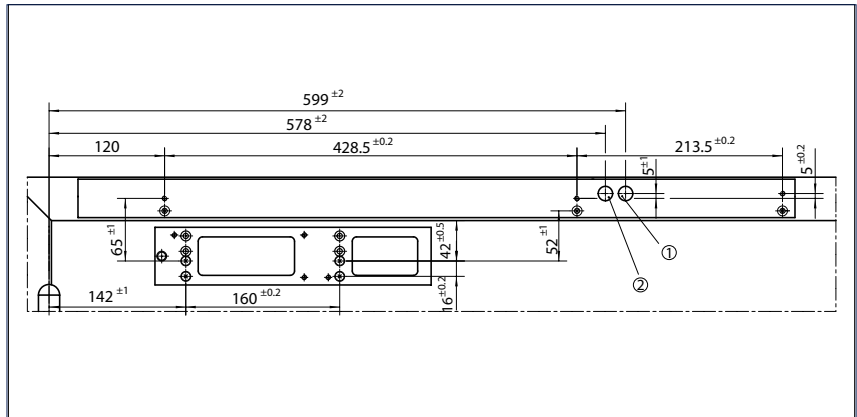
Fitting dimensions right-hand door

- 1 =  $\varnothing$  15 additional cable
- 2 =  $\varnothing$  15 230 V AC

Installation on slim frames

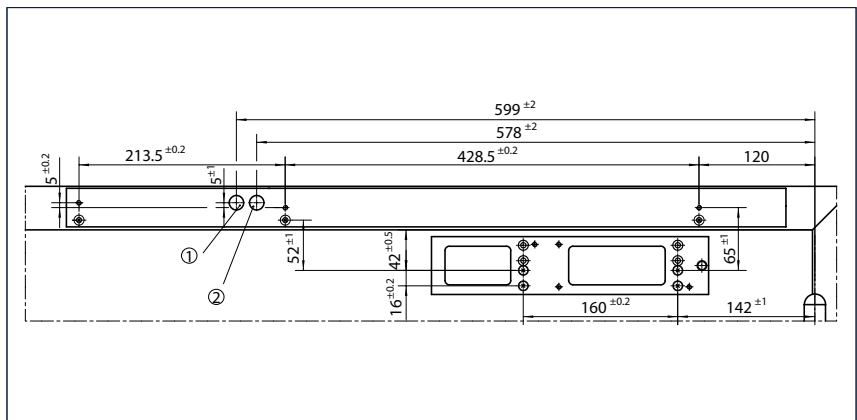


Cross-section = Installation with mounting plate



Fitting dimensions left-hand door

- 1 =  $\varnothing$  15 additional cable
- 2 =  $\varnothing$  15 230 V AC

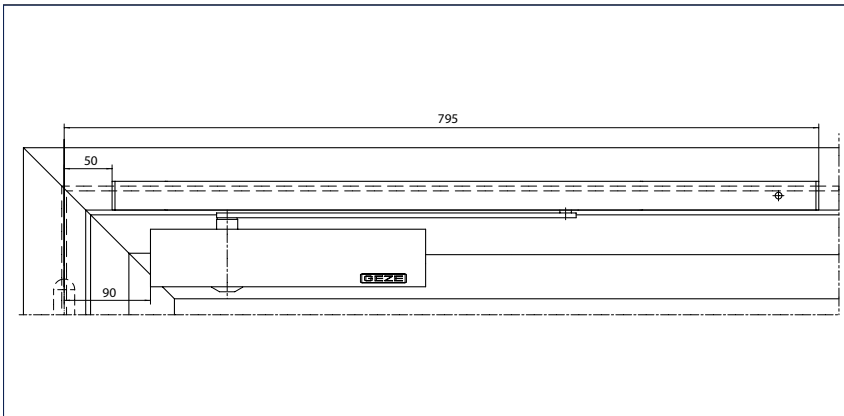


Fitting dimensions right-hand door

- 1 =  $\varnothing$  15 additional cable
- 2 =  $\varnothing$  15 230 V AC

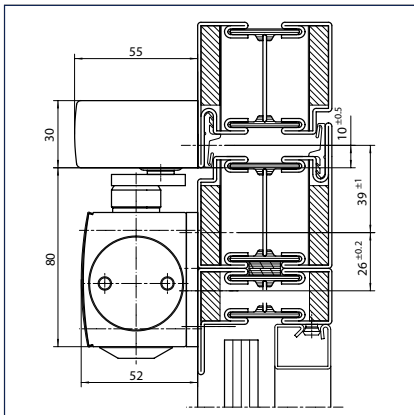
**Door leaf installation/opposite hinge side TS 5000 L-R**

View

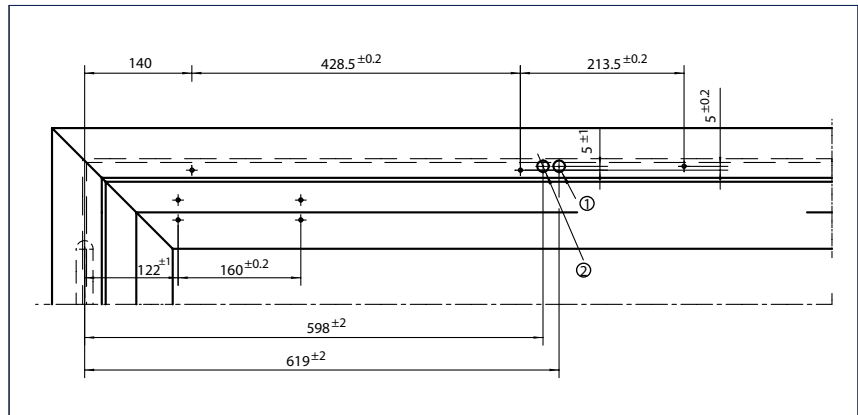


Example for installation

**Installation with mounting plate**

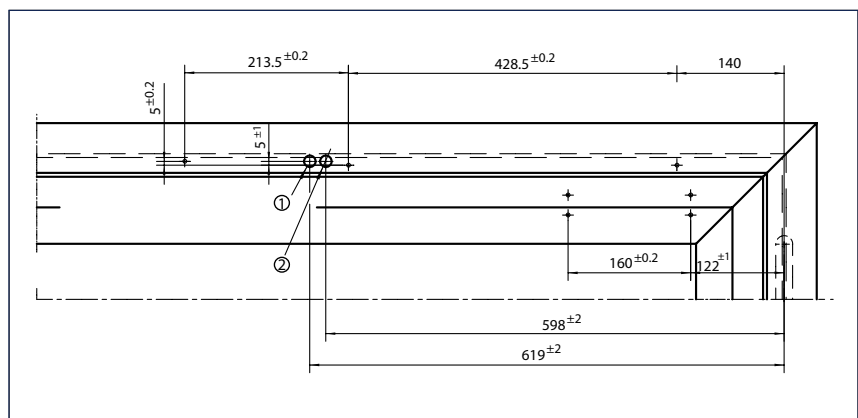


Cross-section = Installation with mounting plate



Fitting dimensions right-hand door

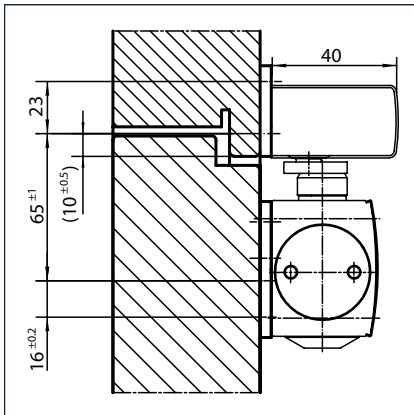
- 1 =  $\varnothing$  15 additional cable
- 2 =  $\varnothing$  15 230 V AC



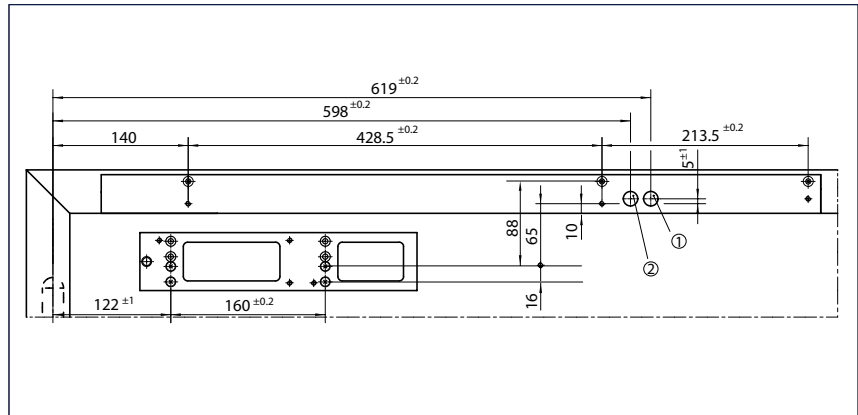
Fitting dimensions left-hand door

- 1 =  $\varnothing$  15 additional cable
- 2 =  $\varnothing$  15 230 V AC

## Installation on slim frames

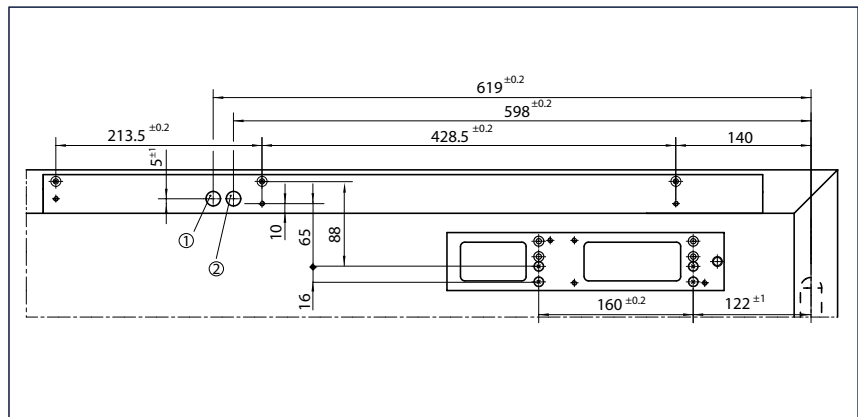


Cross-section = Installation with mounting plate



Fitting dimensions right-hand door

- 1 =  $\varnothing$  15 additional cable  
2 =  $\varnothing$  15 230 V AC



Fitting dimensions left-hand door

- 1 =  $\varnothing$  15 additional cable  
2 =  $\varnothing$  15 230 V AC

## GEZE TS 5000 R - Order information

Description	Version	ID.No.
GEZE TS 5000 closer Size EN 2-6, with back check (without guide rail and lever)	silver-coloured	027333
	dark bronze	027334
	white RAL 9016	027335
	stainless steel slide plate	137721
	acc. to RAL <sup>2)</sup>	027336
GEZE TS 5000 L closer Size EN 2-6, with back check (without guide rail and lever)	silver-coloured	027351
	dark bronze	029399
	white RAL 9016	029400
	stainless steel slide plate	137723
	acc. to RAL <sup>2)</sup>	027352
R guide rail TS 5000 with electric hold-open device, integrated smoke switch control unit and lever	silver-coloured	116300
	dark bronze	116301
	white RAL 9016	116302
	simulated stainless steel <sup>1)</sup>	116303
	acc. to RAL <sup>2)</sup>	116304
R guide rail BG TS 5000 with electric hold-open device, integrated smoke switch control unit and lever	silver-coloured	120073
	white RAL 9016	120074
	simulated stainless steel <sup>1)</sup>	120075
	acc. to RAL <sup>2)</sup>	120076



Description	Version	ID.No.
<b>Installation materials</b>		
Guide rail mounting plate for R / RFS guide rail	silver-coloured	123296
	acc. to RAL <sup>2)</sup>	123297
Mounting plate door closer for TS 5000/TS 4000 with hole pattern in accordance with DIN EN 1154 Supplement 1	silver-coloured	049185
	dark bronze	052351
	white RAL 9016	068627
	galvanised	057956
	acc. to RAL <sup>2)</sup>	029176
Mounting plate guide rail BG for R guide rail	silver-coloured	123311
	acc. to RAL <sup>2)</sup>	123312
Lintel casing bracket guide rail BG for R guide rail	silver-coloured	123324
	acc. to RAL <sup>2)</sup>	123325
<b>Accessories</b>		
GEZE flexible opening restrictor for guide rail 1-leaf: TS 5000 E/R/RFS (leaf installation), Boxer E; 2-leaf: all E/R-ISM variants TS 5000 and Boxer		145311
Door closer cover cap for TS 5000/TS 5000 L/TS 4000, can only be used for door leaf installation	silver-coloured	067724
	dark bronze	067725
	white RAL 9016	067726
	stainless steel	072696
	brass	072698
	acc. to RAL <sup>2)</sup>	000756
GEZE smoke detector GC 152 Complete with base, 24 V DC, 20 mA, tested in accordance with EN54-7, with general approval for use with all GEZE hold-open systems, integrated line monitoring, conform with DIN EN 14637	white	139850
GEZE thermal detector GC 153 Complete with base, 24 V DC, 20 mA, tested in accordance with EN54-5, with general approval for use with all GEZE hold-open systems, integrated line monitoring, conform with DIN EN 14637	white	139881
GEZE manual trigger switch Flush-mounted version, for manual release of electrically controllable door hold-open mechanisms including terminating resistance for line monitoring	alpine white	116266
Surface-mounted box, single suitable for the AS 500 switch range		120503
GEZE manual trigger switch with glass cover and 5 interchangeable letterings Flush-mounted version, for manual release of electrically controllable door hold-open mechanisms including terminating resistance for line monitoring	alpine white	120880
Replacement glass cover for GEZE manual trigger switch 120880 and 120881		010994

1) Only for dry rooms

2) Surcharge for RAL special colours, see General Information in the Price List.

## GEZE TS 5000 EFS

### Guide rail door closer for 1-leaf doors up to 1250 mm leaf width with electric freeswing function

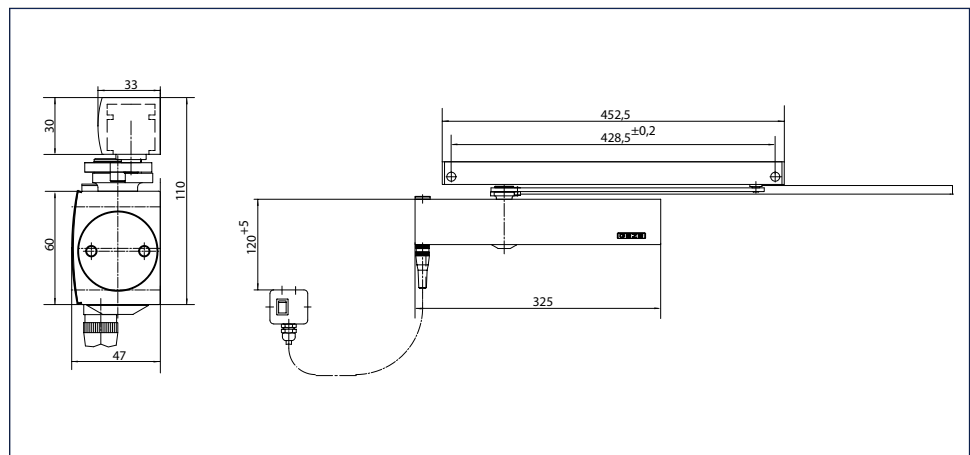
The TS 5000 EFS overhead door closer for 1-leaf doors is equipped with the “freeswing” function. It is possible to use the door with little effort in the opening or closing direction, e.g. in retirement facilities or hospitals, after the freeswing function has been activated by opening the door once to approx. 90°, e.g. in the morning. Safe automatic closing of the door in the event of fire. As a result, it is approved for mounting on 1-leaf fire and smoke protection doors, in accordance with EN 1155. The door closer is approved for mounting on right-hand and left-hand single-action doors with up to 1250 mm leaf width. The closing force in accordance with EN 1154, size 2-5, the closing speed and the latching action are adjustable from the front. The door closer has an optical closing force display.

Note: According to the DIBt guidelines for hold-open systems, the use of an interruption button for freeswing door closers is compulsory in Germany.

### GEZE TS 5000 EFS



### GEZE TS 5000 EFS



### Application range

- For single-action doors, leaf width up to 1250 mm
- Can be used for doors mounted on the right or left without conversion
- For fire protection doors (door closer with mounting plate)
- Variant door leaf installation/hinge side or transom installation/hinge side available

**Closer technical data**

Product features	GEZE TS 5000 EFS complete package for leaf installation	GEZE TS 5000 EFS complete package for transom installation
Closing force in accordance with EN 1154		2 - 5
Recommended leaf width up to		1250 mm
Same version for left and right-hand doors	•	•
Supply voltage		24 V DC
Product tested in accordance with	Door closer tested in accordance with EN 1154 Hold-open mechanism tested in accordance with EN 1155	
Fire protection door suitability	•	•
Mounting plate with hole pattern in accordance with EN1154 supplement	•	•
Length		325 mm
Overall depth		47 mm
Height		60 mm

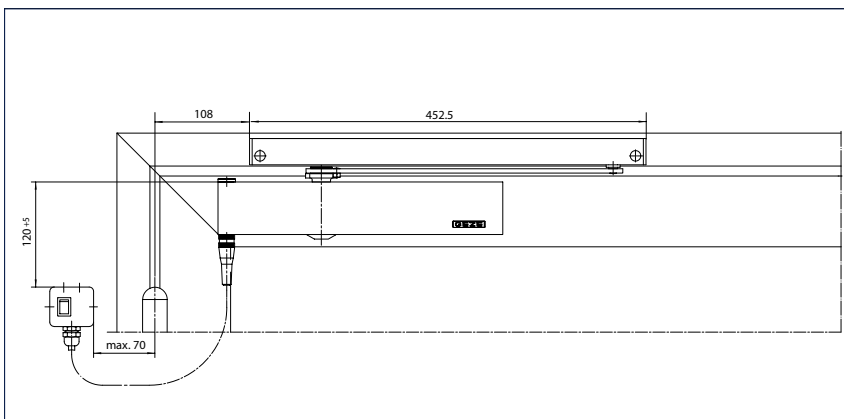
**Functions**

Freeswing function	•	•
Freeswing area		85 - 170 °
Adjustable closing force		Yes, stepless
Adjustable closing speed	•	•
Adjustable latching action		Yes, via valve
Integrated back check		No
Position of closing force adjustment		Front
Visual display of the closing force	•	•
Safety valve against wilful damage	•	•
Thermo-control valves	•	•

- = YES
- = OPTIONAL

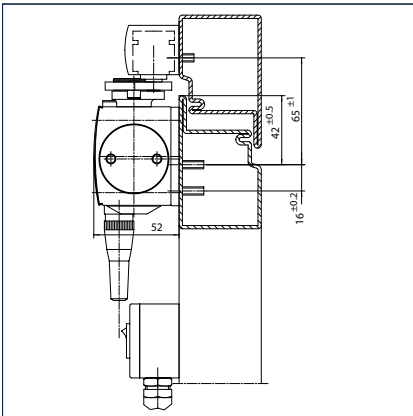
**Door leaf installation/hinge side TS 5000 EFS**

View

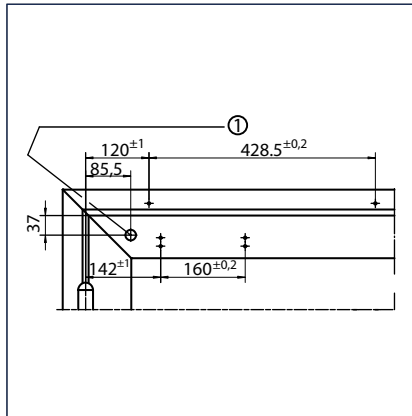


Example for installation

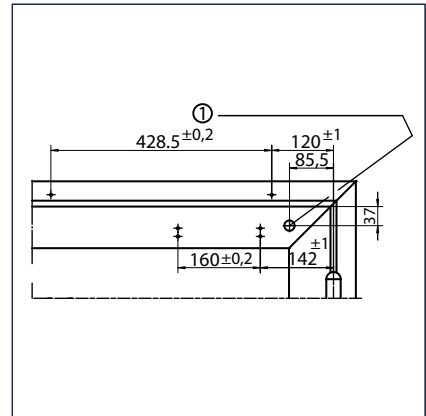
Installation with mounting plate



Cross-section = Installation with mounting plate



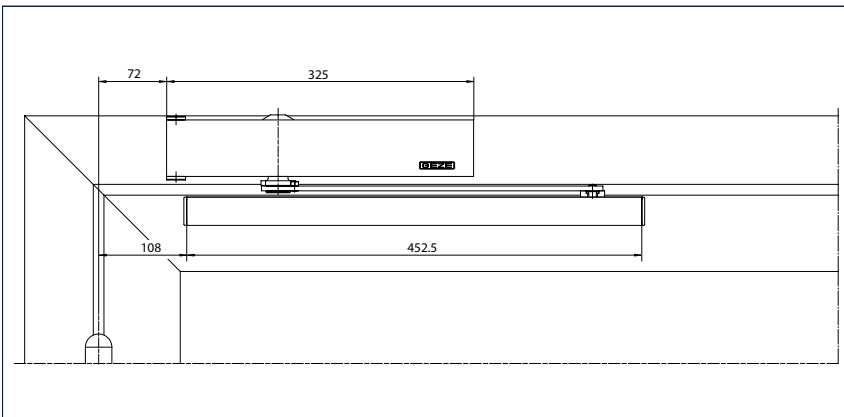
Fitting dimensions left-hand door  
1 = With concealed line-feed 24 V (ø 15)



Fitting dimensions right-hand door  
1 = With concealed line-feed 24 V (ø 15)

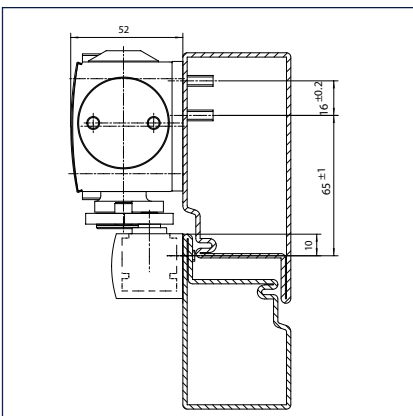
Transom installation/hinge side TS 5000 EFS

View

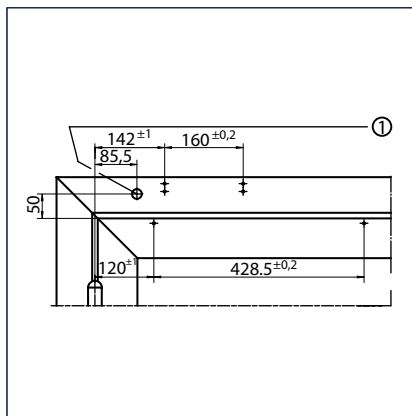


Example for installation

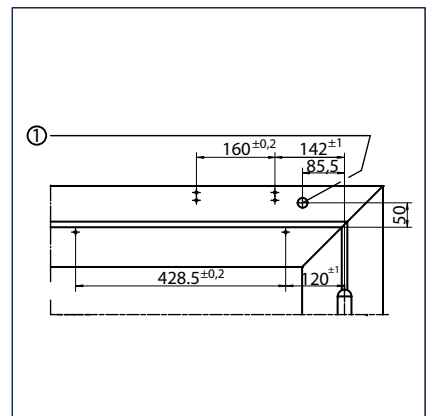
Installation with mounting plate



Cross-section = Installation with mounting plate



Fitting dimensions left-hand door  
1 = Line-feed 24 V (ø 15)



Fitting dimensions right-hand door  
1 = Line-feed 24 V (ø 15)

**GEZE TS 5000 EFS - Order information**

Description	Version	ID.No.
GEZE TS 5000 EFS complete package for leaf installation Size EN 2-5, door leaf installation on the hinge side, with electric freeswing function, with guide rail and lever	silver-coloured	095076
	white RAL 9016	107956
	acc. to RAL <sup>2)</sup>	098326
GEZE TS 5000 EFS complete package for transom installation Size EN 2-5, transom installation on the hinge side, with electric freeswing function, with guide rail and lever	silver-coloured	093556
	white RAL 9016	107957
	acc. to RAL <sup>2)</sup>	098327
<b>Installation materials</b>		
Guide rail mounting plate for standard / Ecline / T-Stop / EFS guide rail	silver-coloured	001512
	white RAL 9016	129252
	acc. to RAL <sup>2)</sup>	104515
Mounting plate door closer for TS 5000 EFS/RFS/E-HY / TS 4000 E with hole pattern in accordance with DIN EN 1154 Supplement 1	silver-coloured	059107
	acc. to RAL <sup>2)</sup>	100044
<b>Accessories</b>		
GEZE smoke switch control unit RSZ 6 Smoke switch and power supply for all GEZE hold-open mechanisms	silver-coloured	099851
	dark bronze	099857
	white RAL 9016	099858
	simulated stainless steel <sup>1)</sup>	099856
	acc. to RAL <sup>2)</sup>	099859
GEZE smoke detector GC 152 Complete with base, 24 V DC, 20 mA, tested in accordance with EN54-7, with general approval for use with all GEZE hold-open systems, integrated line monitoring, conform with DIN EN 14637	white	139850
GEZE thermal detector GC 153 Complete with base, 24 V DC, 20 mA, tested in accordance with EN54-5, with general approval for use with all GEZE hold-open systems, integrated line monitoring, conform with DIN EN 14637	white	139881
GEZE manual trigger switch Flush-mounted version, for manual release of electrically controllable door hold-open mechanisms including terminating resistance for line monitoring	alpine white	116266
Surface-mounted box, single suitable for the AS 500 switch range		120503
GEZE manual trigger switch with glass cover and 5 interchangeable letterings Flush-mounted version, for manual release of electrically controllable door hold-open mechanisms including terminating resistance for line monitoring	alpine white	120880
Replacement glass cover for GEZE manual trigger switch 120880 and 120881		010994

1) Only for dry rooms

2) Surcharge for RAL special colours, see General Information in the Price List.

## GEZE TS 5000 RFS

### Guide rail door closer for 1-leaf doors up to 1250 mm leaf width with electric freeswing function and smoke switch control unit

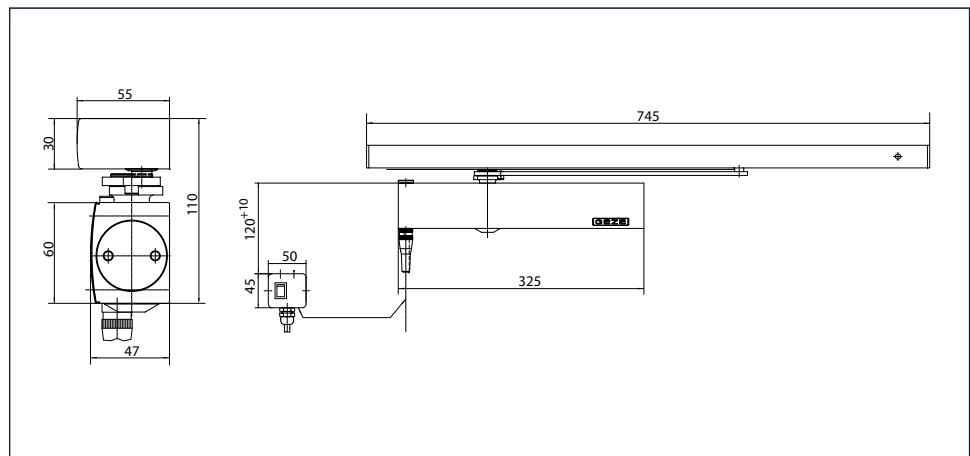
The TS 5000 RFS overhead door closer for 1-leaf doors has an integrated smoke switch and the "freeswing" function. This enables the door to be used with little effort in the opening or closing direction, e.g. in retirement facilities or hospitals, after the freeswing function has been activated by opening the door once to approx. 90°, e.g. in the morning. Safe automatic closing of the door in the event of fire. As a result, it is approved for mounting on 1-leaf fire and smoke doors, in accordance with EN 1155. The closing force in accordance with EN 1154, size 2-5, the closing speed and the latching action are adjustable from the front. The door closer has an optical closing force display. The hold-open system has a national technical approval.

Note: According to the DIBt guidelines for hold-open systems, the use of an interruption button for freeswing door closers is compulsory in Germany.

### GEZE TS 5000 RFS



### GEZE TS 5000 RFS



### Application range

- For single-action doors, leaf width up to 1250 mm
- Can be used for doors mounted on the right or left without conversion
- For fire protection doors (door closer with mounting plate)
- Variant door leaf installation/hinge side or transom installation/hinge side available

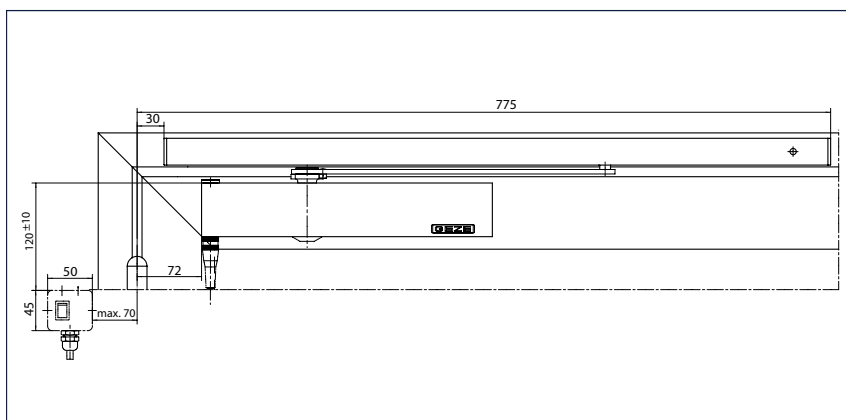
**Closer technical data**

Product features	GEZE TS 5000 RFS complete package for door leaf installation	GEZE TS 5000 RFS complete package for transom installation
Closing force in accordance with EN 1154		2 - 5
Recommended leaf width up to		1250 mm
Same version for left and right-hand doors	•	•
Supply voltage		230 V 50 Hz
Product tested in accordance with	Door closer tested in accordance with EN 1154 Hold-open mechanism tested in accordance with EN 1155 General building approval from DIBt as a hold-open system	
Fire protection door suitability	•	•
Mounting plate with hole pattern in accordance with EN1154 supplement	•	•
Length	325 mm	548 mm
Overall depth	47 mm	66 mm
Height	60 mm	65 mm

**Functions**

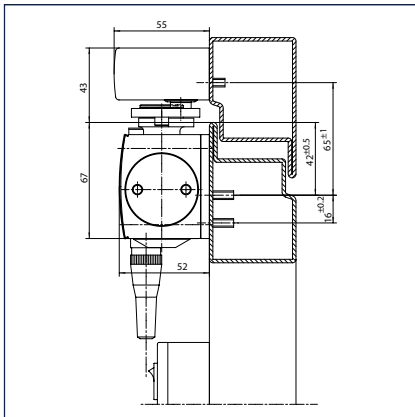
Freeswing function	•	•
Freeswing area		85 - 170 °
Adjustable closing force		Yes, stepless
Adjustable closing speed	•	•
Adjustable latching action		Yes, via valve
Integrated back check		No
Position of closing force adjustment		Front
Visual display of the closing force	•	•
Safety valve against wilful damage	•	•
Thermo-control valves	•	•
Integrated smoke switch	•	•
with visual operating state display	•	•
with clogging indicator	•	•
with adaption of the alarm threshold	•	•
Integrated power supply	•	•
Flexible opening restrictor	○	

- = YES
- = OPTIONAL

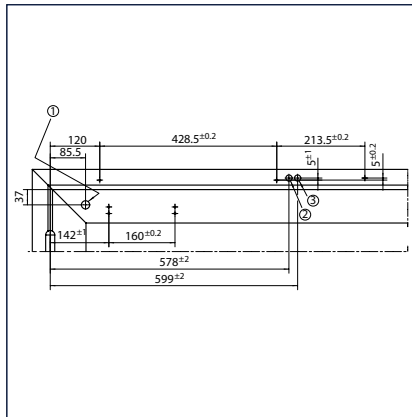
**Door leaf installation/hinge side TS 5000 RFS****View**

Example for installation

Installation with mounting plate

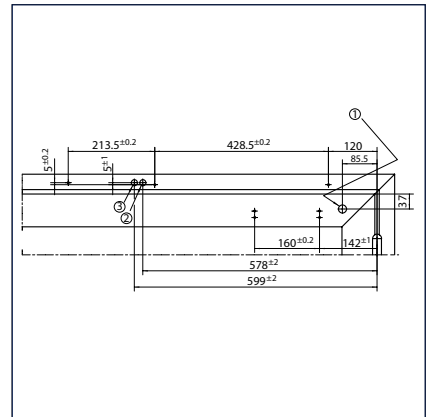


Cross-section = Installation with mounting plate



Fitting dimensions left-hand door

- 1 = With concealed line-feed 24 V
- 2 =  $\varnothing$  15 230 V AC
- 3 =  $\varnothing$  15 line-feed TS 5000 E-HY 24 V

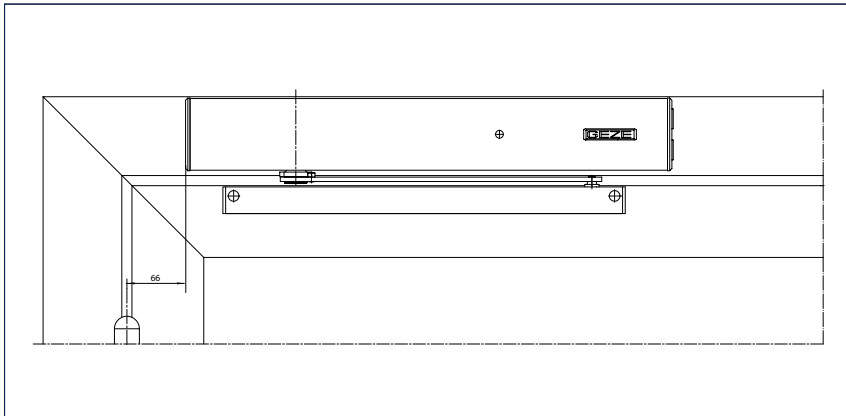


Fitting dimensions right-hand door

- 1 = With concealed line-feed 24 V
- 2 =  $\varnothing$  15 230 V AC
- 3 =  $\varnothing$  15 line-feed TS 5000 E-HY 24 V

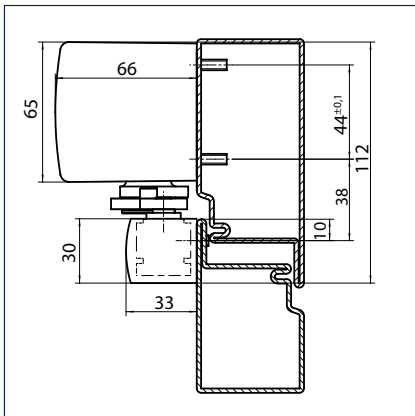
Transom installation/hinge side TS 5000 RFS

View

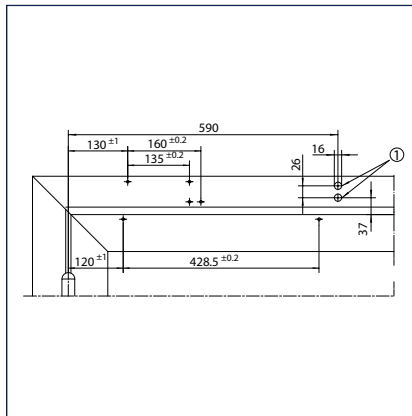


Example for installation

Direct installation

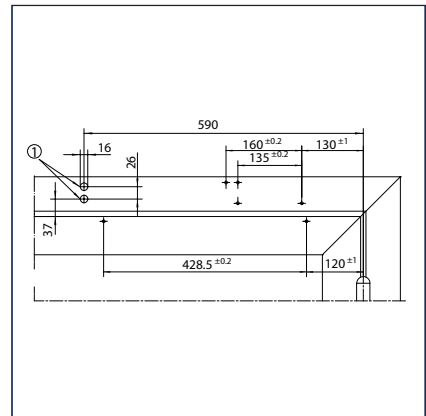


Cross-section = Direct installation



Fitting dimensions left-hand door

- 1 = Line-feed optional



Fitting dimensions right-hand door

- 1 = Line-feed optional



**GEZE TS 5000 RFS - Order information**

Description	Version	ID.No.
GEZE TS 5000 RFS complete package for door leaf installation	silver-coloured	121817
Size EN 2-5, door leaf installation on the hinge side, with electric freeswing function, guide rail with integrated smoke switch control unit and lever	white RAL 9016	121818
	acc. to RAL <sup>1)</sup>	121819
GEZE TS 5000 RFS complete package for transom installation	silver-coloured	115200
Size EN 2-5, transom installation on the hinge side, with electric freeswing function, integrated smoke switch control unit, guide rail and lever	white RAL 9016	115202
	acc. to RAL <sup>1)</sup>	115203
<b>Installation materials</b>		
Guide rail mounting plate for standard / E/Cline / T-Stop / EFS guide rail	silver-coloured	001512
	white RAL 9016	129252
	acc. to RAL <sup>1)</sup>	104515
Guide rail mounting plate for R / RFS guide rail	silver-coloured	123296
	acc. to RAL <sup>1)</sup>	123297
Mounting plate door closer for TS 5000 RFS KM/ TS 4000 R & R-IS with hole pattern in accordance with DIN EN 1154 Supplement 1	black	058808
Mounting plate door closer for TS 5000 EFS/RFS/E-HY / TS 4000 E with hole pattern in accordance with DIN EN 1154 Supplement 1	silver-coloured	059107
	acc. to RAL <sup>1)</sup>	100044
<b>Accessories</b>		
GEZE flexible opening restrictor for guide rail 1-leaf: TS 5000 E/R/RFS (leaf installation), Boxer E; 2-leaf: all E/R-ISM variants TS 5000 and Boxer		145311
GEZE smoke detector GC 152 Complete with base, 24 V DC, 20 mA, tested in accordance with EN54-7, with general approval for use with all GEZE hold-open systems, integrated line monitoring, conform with DIN EN 14637	white	139850
GEZE thermal detector GC 153 Complete with base, 24 V DC, 20 mA, tested in accordance with EN54-5, with general approval for use with all GEZE hold-open systems, integrated line monitoring, conform with DIN EN 14637	white	139881
GEZE manual trigger switch Flush-mounted version, for manual release of electrically controllable door hold-open mechanisms including terminating resistance for line monitoring	alpine white	116266
Surface-mounted box, single suitable for the AS 500 switch range		120503
GEZE manual trigger switch with glass cover and 5 interchangeable letterings Flush-mounted version, for manual release of electrically controllable door hold-open mechanisms including terminating resistance for line monitoring	alpine white	120880
Replacement glass cover for GEZE manual trigger switch 120880 and 120881		010994

<sup>1)</sup> Surcharge for RAL special colours, see General Information in the Price List.

## GEZE TS 5000 ISM

### Guide rail door closer system for 2-leaf doors up to 2800 mm hinge clearance with integrated closing sequence control

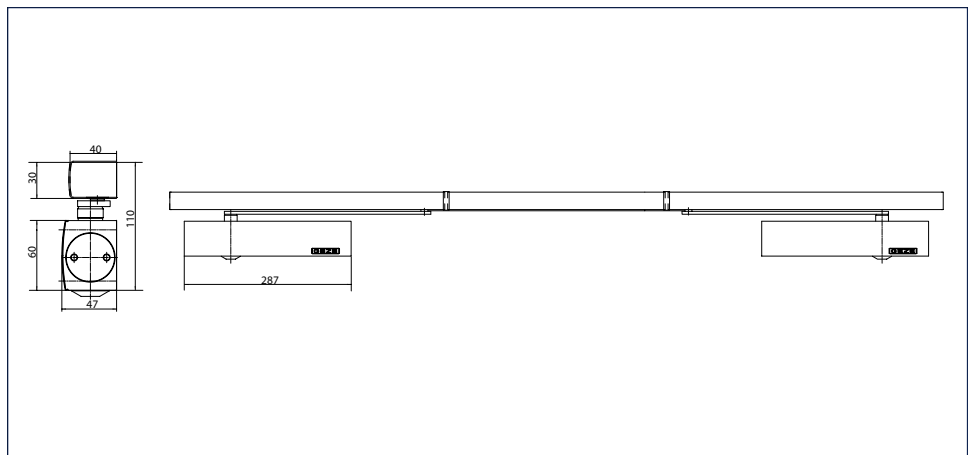
The integrated closing sequence control ensures the correct closing sequence of both door leaves for 2-leaf doors. When the door is closed, the active leaf remains in waiting position until the fixed leaf is closed and releases the active leaf via the closing sequence control. The GEZE system solution is made up of two overhead door closers TS 5000 with adjustable closing force size 2-6 in accordance with EN 1154, combined with the ISM guide rail with integrated mechanical closing sequence control, tested in accordance with EN 1158. The overhead door closer system TS 5000 ISM is approved for use with 2-leaf smoke and fire protection doors.

For the opposite hinge side, the variant TS 5000 L-ISM is available as standard or with panic function only on the active leaf. The variant TS 5000 L-ISM VPK up to an X-dimension of 125 mm is available for all full panic requirements, also with symmetrical buffer pattern.

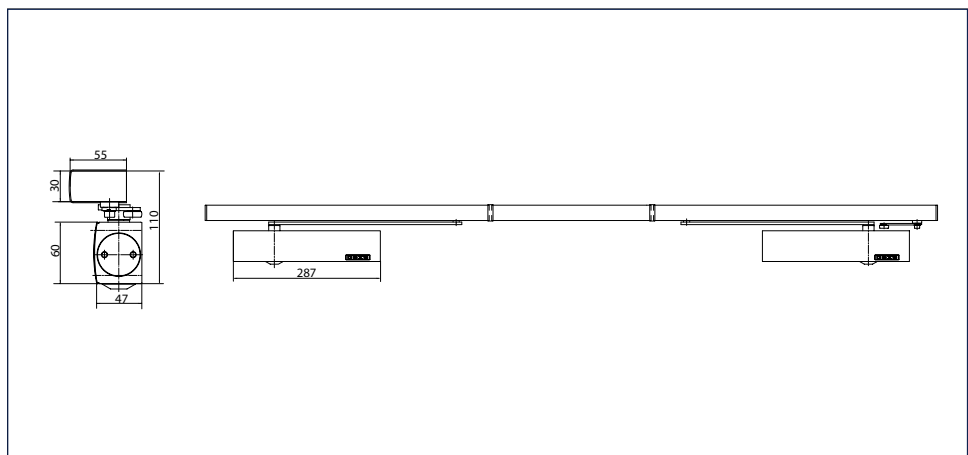
### GEZE TS 5000 ISM



### GEZE TS 5000 ISM



### GEZE TS 5000 L-ISM / TS 5000 L-ISM VPK



**Area of application ISM**

- For 2-leaf doors, leaf width up to 1400 mm
- Min. hinge clearance = 1300 mm, max. hinge clearance = 2800 mm
- Overlength version up to 3200 mm
- Symmetrical and asymmetrical division of door possible, minimum width of the fixed leaf = 400 mm
- For fire protection doors (door closer with mounting plate)
- Can be used for doors mounted on the right or left without conversion

**Area of application L-ISM**

- For 2-leaf doors, leaf width up to 1400 mm
- Min. hinge clearance = 1360 mm, max. hinge clearance = 2800 mm
- Symmetrical and asymmetrical division of door possible, minimum width of the fixed leaf = 380 mm
- For fire protection doors (door closer with mounting plate)
- Can be used for doors mounted on the right or left without conversion
- Can be used as a standard version for the opposite hinge side or as a panic function only on the active leaf

**Area of application L-ISM VPK**

- For 2-leaf doors with full panic function, leaf width up to 1400 mm
- Min. hinge clearance = 1300 mm, max. hinge clearance = 2800 mm
- Symmetrical and asymmetrical division of door possible, minimum width of the fixed leaf = 380 mm
- For fire protection doors (door closer with mounting plate)
- Can be used for doors mounted on the right or left without conversion

**Closer technical data**

Product features	GEZE TS 5000 closer	GEZE TS 5000 L closer
Closing force in accordance with EN 1154	2 - 6	
Recommended leaf width up to	1400 mm	
Same version for left and right-hand doors	•	•
Product tested in accordance with	Door closer tested in accordance with EN 1154	
Fire protection door suitability	•	•
Mounting plate with hole pattern in accordance with EN1154 supplement	•	•
Length	287 mm	
Overall depth	47 mm	
Height	60 mm	
<b>Functions</b>		
Adjustable closing force	Yes, stepless	
Adjustable closing speed	•	•
Adjustable latching action	Yes, via valve	
Integrated back check	Yes, hydraulically adjustable	
Position of closing force adjustment	Front	
Visual display of the closing force	•	•
Safety valve against wilful damage	•	•
Thermo-control valves	•	•

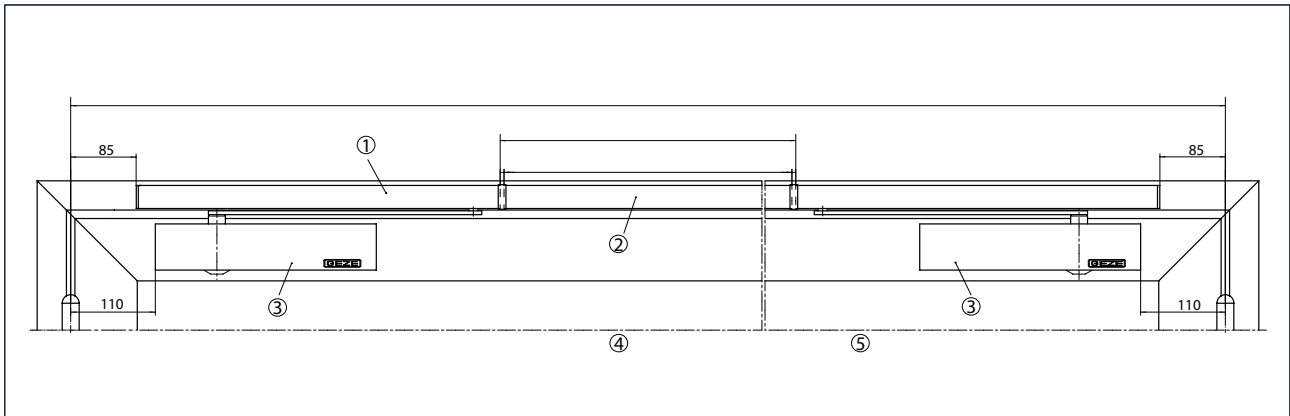
**Guide rail technical data**

Product features	TS 5000 ISM guide rail	ISM guide rail BG TS 5000	ISM guide rail BG VPK TS 5000 complete package
Minimum hinge clearance	1300 mm	1360 mm	1300 mm
Minimum fixed leaf width	400 mm	380 mm	380 mm
Product tested in accordance with	Door closing sequence selector tested in accordance with EN 1158	Door closing sequence selector tested in accordance with EN 1158	Door closer tested in accordance with EN 1154 Door closing sequence selector tested in accordance with EN 1158
Length	2630 mm	2730 mm	2730 mm
Overall depth	40 mm	55 mm	55 mm
Height	30 mm		
<b>Functions</b>			
Integrated closing sequence control	•	•	•
Integrated hold-open device	○	○	○
Height correction possible	•	•	•
Flexible opening restrictor	○	○	○

- = YES
- = OPTIONAL

**Door leaf installation/hinge side TS 5000 ISM**

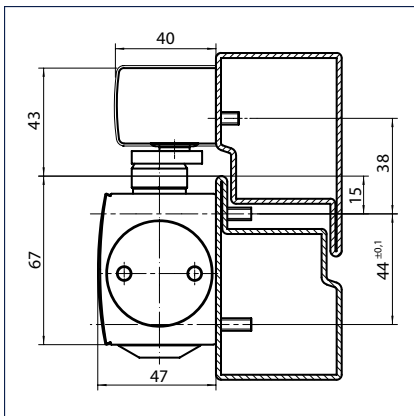
View



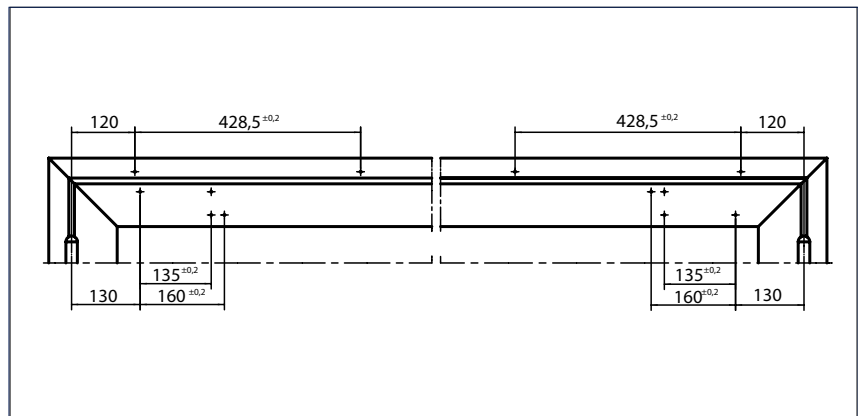
Example for installation

- 1 = ISM guide rail
- 2 = Middle section may be cut to size
- 3 = TS 5000
- 4 = Active leaf
- 5 = Fixed leaf

Direct installation

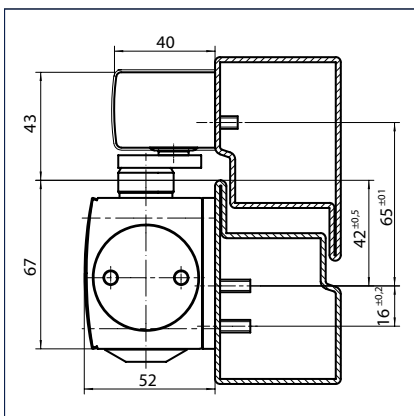


Cross-section = Direct installation

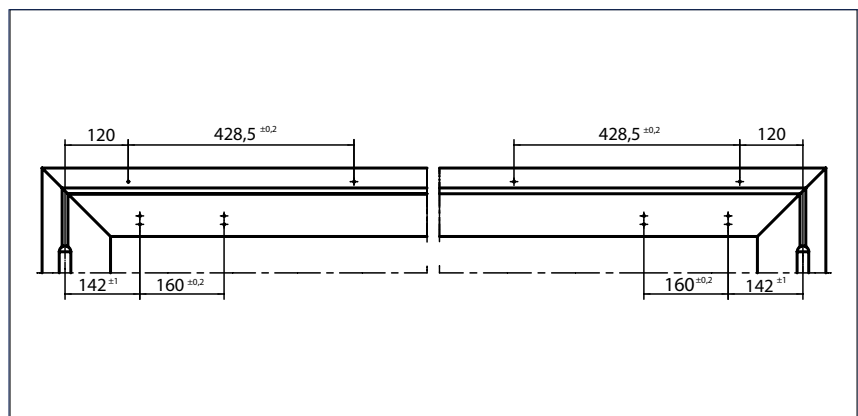


Fitting dimensions

Installation with mounting plate



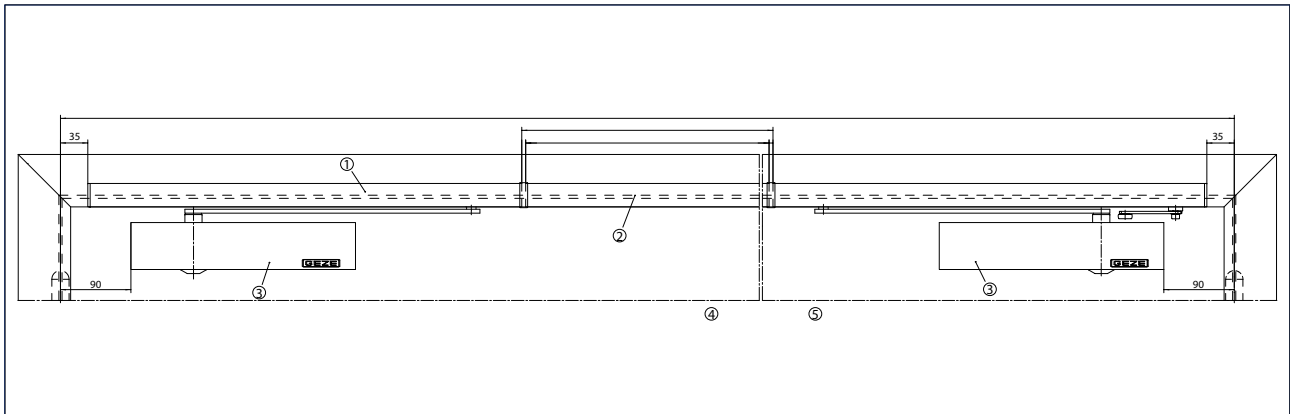
Cross-section = Installation with mounting plate



Fitting dimensions

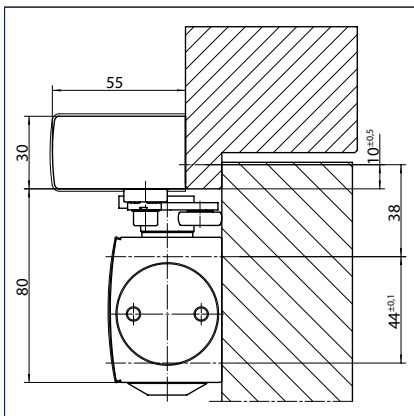
**Door leaf installation/opposite hinge side TS 5000 L-ISM**

View

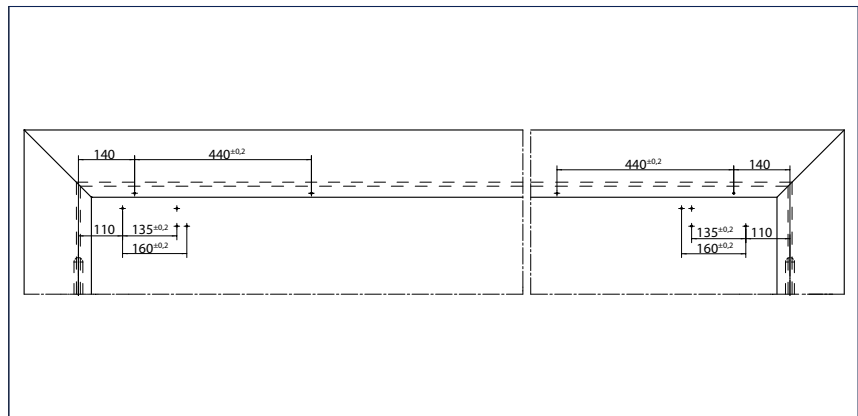


Example for installation

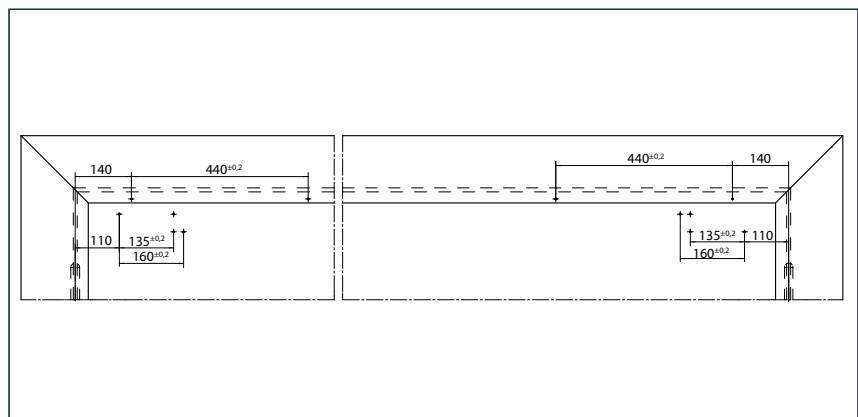
- 1 = ISM guide rail BG
- 2 = Middle section may be cut to size
- 3 = TS 5000 L
- 4 = Active leaf
- 5 = Fixed leaf

**Direct installation**

Cross-section = Direct installation

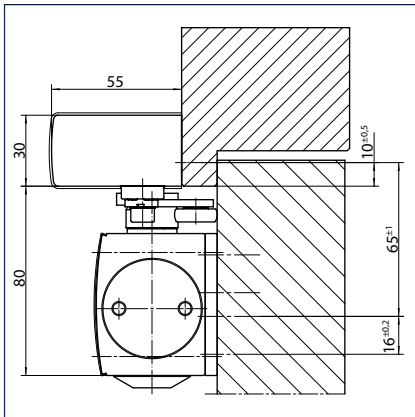


Fitting dimensions right-hand leaf = active leaf, left-hand leaf = fixed leaf

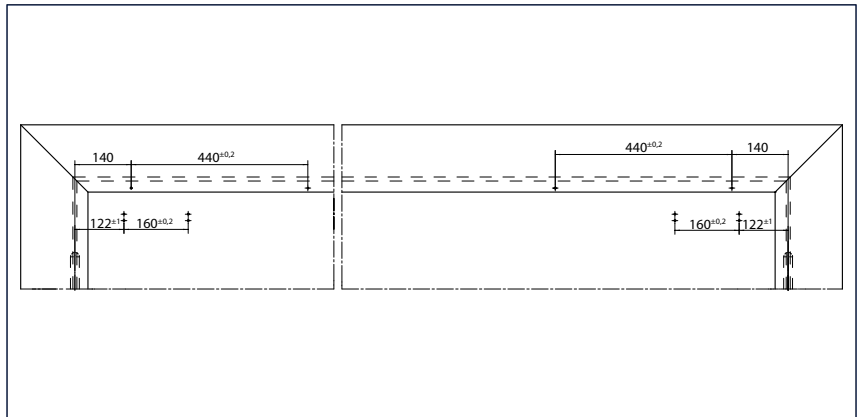


Fitting dimensions right-hand leaf = fixed leaf, left-hand leaf = active leaf

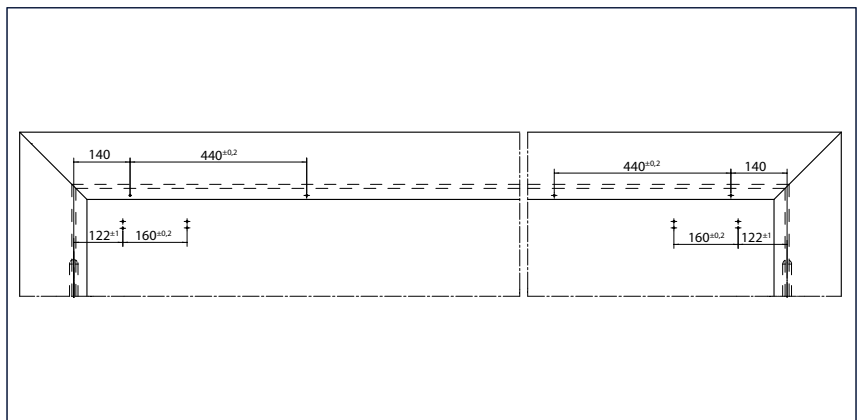
Installation with mounting plate



Cross-section = Installation with mounting plate

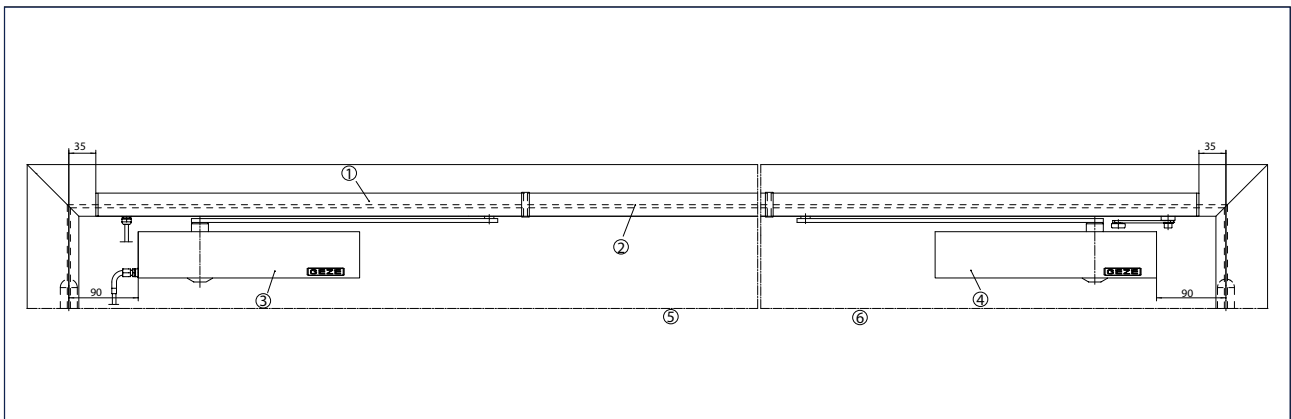


Fitting dimensions right-hand leaf = fixed leaf, left-hand leaf = active leaf



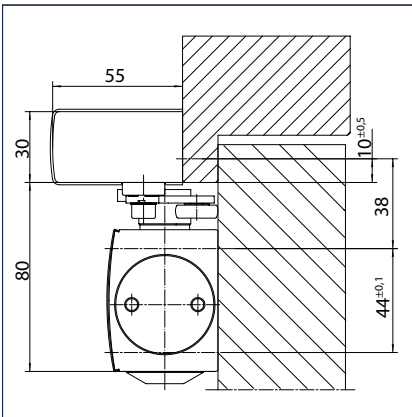
Fitting dimensions right-hand leaf = active leaf, left-hand leaf = fixed leaf

Door leaf installation/opposite hinge side TS 5000 L-ISM VPK

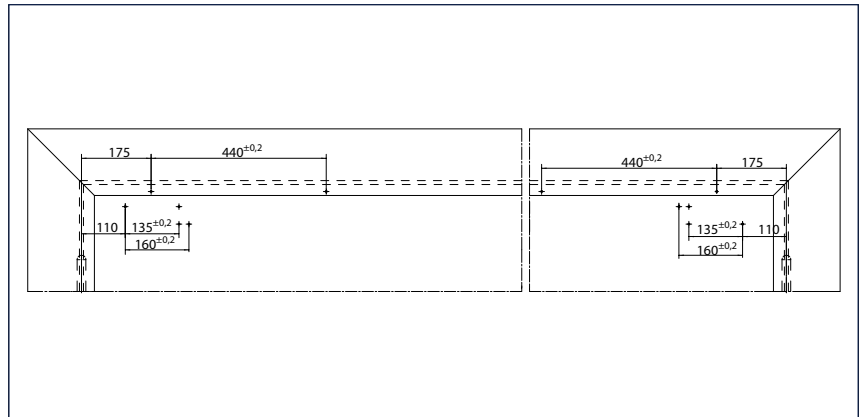


- 1 = ISM guide rail BG VPK
- 2 = Middle section may be cut to size
- 3 = TS 5000 L-IS
- 4 = TS 5000 L
- 5 = Active leaf
- 6 = Fixed leaf

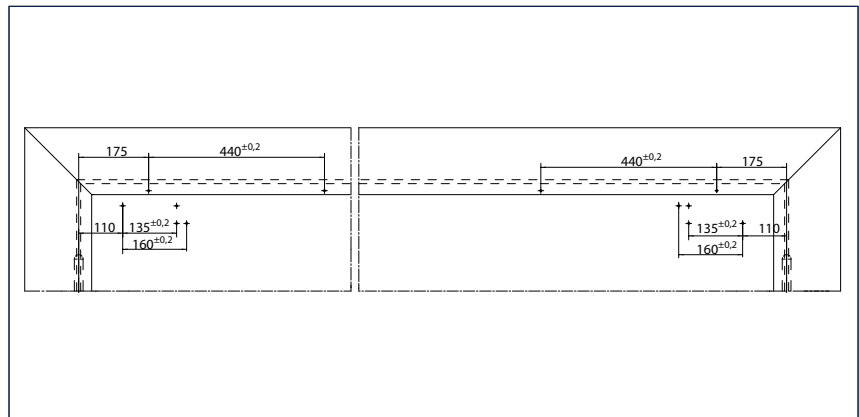
Direct installation



Cross-section = Direct installation

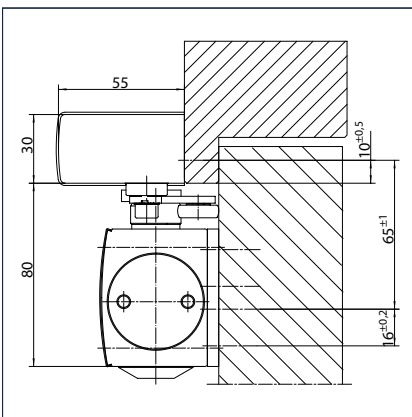


Fitting dimensions right-hand leaf = active leaf, left-hand leaf = fixed leaf

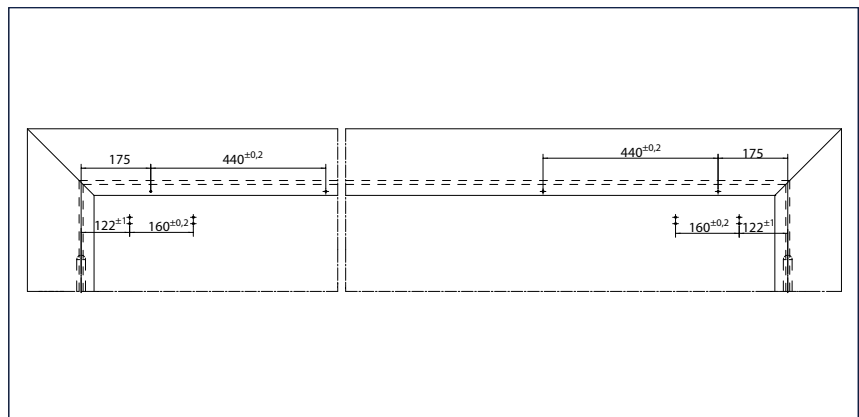


Fitting dimensions right-hand leaf = fixed leaf, left-hand leaf = active leaf

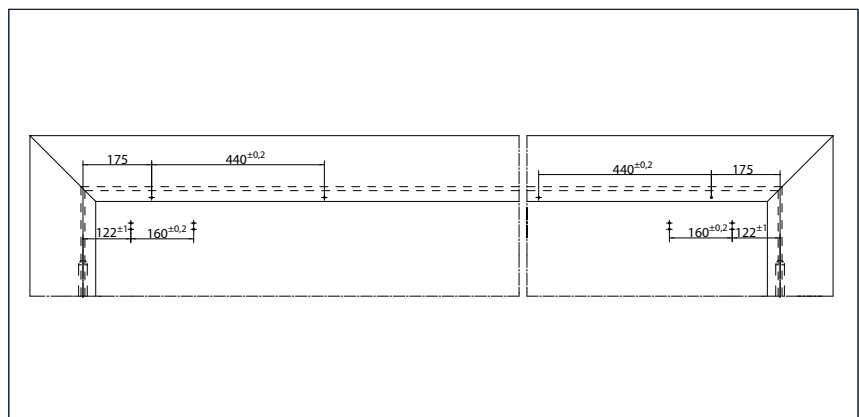
Installation with mounting plate



Cross-section = Installation with mounting plate



Fitting dimensions right-hand leaf = fixed leaf, left-hand leaf = active leaf



Fitting dimensions right-hand leaf = active leaf, left-hand leaf = fixed leaf

## GEZE TS 5000 ISM - Order information

Description	Version	ID.No.
GEZE TS 5000 closer Size EN 2-6, with back check (without guide rail and lever)	silver-coloured	027333
	dark bronze	027334
	white RAL 9016	027335
	stainless steel slide plate	137721
	acc. to RAL <sup>2)</sup>	027336
GEZE TS 5000 L closer Size EN 2-6, with back check (without guide rail and lever)	silver-coloured	027351
	dark bronze	029399
	white RAL 9016	029400
	stainless steel slide plate	137723
	acc. to RAL <sup>2)</sup>	027352
TS 5000 ISM guide rail continuous, with integrated closing sequence control and levers	silver-coloured	115549
	dark bronze	115550
	white RAL 9016	115591
	simulated stainless steel <sup>1)</sup>	115592
	acc. to RAL <sup>2)</sup>	115593
ISM guide rail TS 5000 overlength continuous, overlength up to 3200 mm, with integrated closing sequence control and levers	silver-coloured	115598
	acc. to RAL <sup>2)</sup>	115599
ISM guide rail BG TS 5000 continuous, with integrated closing sequence control and levers	silver-coloured	115594
	white RAL 9016	115595
	simulated stainless steel <sup>1)</sup>	115596
	acc. to RAL <sup>2)</sup>	115597
ISM guide rail BG VPK TS 5000 complete package System solution for general use on full panic doors comprising 1 x TS 5000 L, 1 x TS 5000 L-IS, 1 x ISM BG guide rail, continuous, with integrated release mechanism and levers	silver-coloured	133093
	white RAL 9016	142656
	acc. to RAL <sup>2)</sup>	133105
<b>Installation materials</b>		
Guide rail mounting plate for ISM / E-ISM guide rail	silver-coloured	118702
	acc. to RAL <sup>2)</sup>	118703
Mounting plate door closer for TS 5000/TS 4000 with hole pattern in accordance with DIN EN 1154 Supplement 1	silver-coloured	049185
	dark bronze	052351
	white RAL 9016	068627
	galvanised	057956
	acc. to RAL <sup>2)</sup>	029176
Mounting plate guide rail BG for ISM / E-ISM / R-ISM guide rail BG & VP versions	silver-coloured	118704
	acc. to RAL <sup>2)</sup>	118705
Lintel casing bracket guide rail BG for ISM / E-ISM / R-ISM guide rail BG	silver-coloured	118706
	acc. to RAL <sup>2)</sup>	118707
Mounting plate guide rail BG for ISM-BG VPK guide rail	silver-coloured	139757
	acc. to RAL	139760
Lintel casing bracket guide rail BG for ISM-BG VPK guide rail	silver-coloured	139710
	acc. to RAL	139763



Description	Version	ID.No.
<b>Accessories</b>		
GEZE flexible opening restrictor for guide rail 1-leaf: TS 5000 E/R/RFS (leaf installation), Boxer E; 2-leaf: all E/R-ISM variants TS 5000 and Boxer		145311
Door closer cover cap for TS 5000/TS 5000 L/TS 4000, can only be used for door leaf installation	silver-coloured	067724
	dark bronze	067725
	white RAL 9016	067726
	stainless steel	072696
	brass	072698
	acc. to RAL <sup>2)</sup>	000756
Mechanical hold-open device for ISM guide rail, retention force adjustable, can be overridden		118437
GEZE carry bar CB flex for use on all 2-leaf rebated doors. Stepless, concealed length adjustment up to 210 mm leaf projection, hinged mechanism not visible, profile can be shortened if required, with attach- ment material	silver-coloured	153602
	acc. to RAL	153728

1) Only for dry rooms

2) Surcharge for RAL special colours, see General Information in the Price List.

## GEZE TS 5000 ISM-EFS

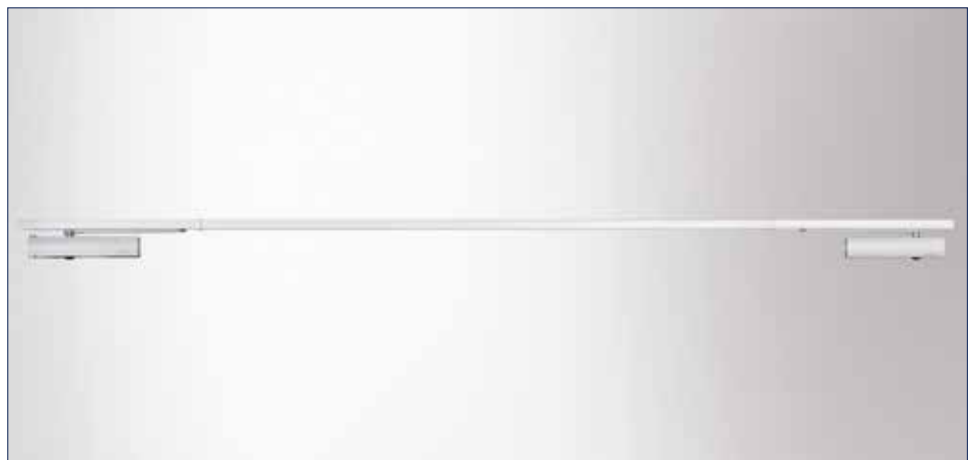
### Guide rail door closer system for 2-leaf doors up to 2500 mm hinge clearance with integrated closing sequence control and electric freeswing function

In the case of the system solution GEZE TS 5000 ISM-EFS for 2-leaf doors, the „freeswing“ function is realised using the ISM-EFS guide rail and the TS 5000 E-HY door closer (with integrated hydraulic hold-open device) on the active leaf. The door must be opened once, for example, in the morning, to approximately 90°. The fixed leaf closes automatically due to the overhead TS 5000 door closer. The integrated mechanical closing sequence control is carried out by the ISM guide rail.

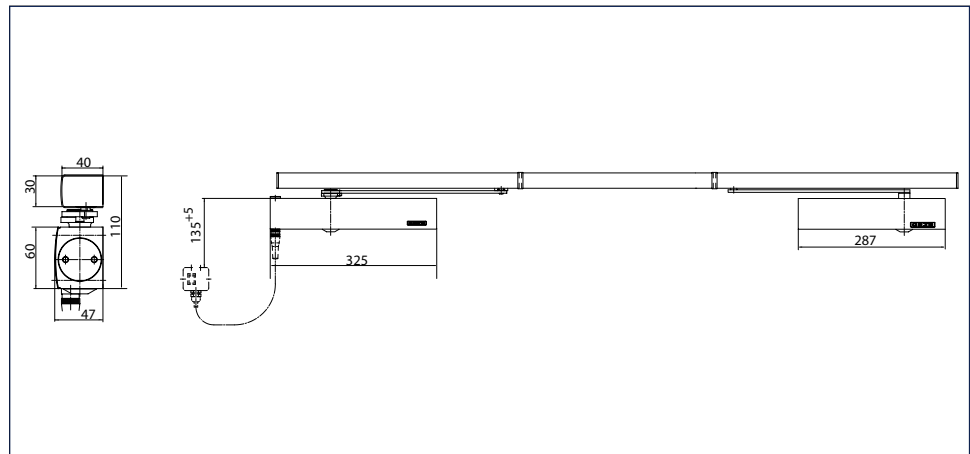
The GEZE system solution is made up of an overhead door closer TS 5000 E-HY size 2-5 in accordance with EN 1154 on the active leaf and a TS 5000 size 2-6 in accordance with EN 1154 on the fixed leaf, combined with an ISM-EFS guide rail with integrated mechanical closing sequence control, tested in accordance with EN 1158 and a freeswing function on the active leaf, activated by opening the door once to 90°. The overhead door closer system TS 5000 ISM-EFS is approved for 2-leaf smoke and fire protection doors.

Note: According to the DIBt guidelines for hold-open systems, the use of an interruption button for freeswing door closers is compulsory in Germany.

### GEZE TS 5000 ISM-EFS



### GEZE TS 5000 ISM-EFS



### Application range

- For 2-leaf doors, leaf width up to 1250 mm
- Min. hinge clearance = 1300 mm, max. hinge clearance = 2500 mm
- Symmetrical and asymmetrical division of door possible, minimum width of the fixed leaf = 400 mm, maximum door width of the active leaf = 1250 mm
- For fire protection doors (door closer with mounting plate)
- Can be used for doors mounted on the right or left without conversion

**Closer technical data**

Product features	GEZE TS 5000 closer	GEZE TS 5000 E-HY closer
Closing force in accordance with EN 1154	2 - 6	2 - 5
Recommended leaf width up to	1400 mm	1250 mm
Same version for left and right-hand doors	•	•
Supply voltage		24 V DC
Product tested in accordance with	Door closer tested in accordance with EN 1154	Door closer tested in accordance with EN 1154 Hold-open mechanism tested in accordance with EN 1155
Fire protection door suitability	•	•
Mounting plate with hole pattern in accordance with EN1154 supplement	•	•
Length	287 mm	325 mm
Overall depth	47 mm	46 mm
Height	60 mm	

**Functions**

Adjustable closing force	Yes, stepless	
Adjustable closing speed	•	•
Adjustable latching action	Yes, via valve	
Integrated back check	Yes, hydraulically adjustable	No
Position of closing force adjustment	Front	
Visual display of the closing force	•	•
Safety valve against wilful damage	•	•
Thermo-control valves	•	•

- = YES
- = OPTIONAL

**Guide rail technical data**

Product features	ISM-EFS guide rail TS 5000
Minimum hinge clearance	1300 mm
Minimum fixed leaf width	400 mm
Product tested in accordance with	Door closing sequence selector tested in accordance with EN 1158
Length	2330 mm
Overall depth	40 mm
Height	30 mm

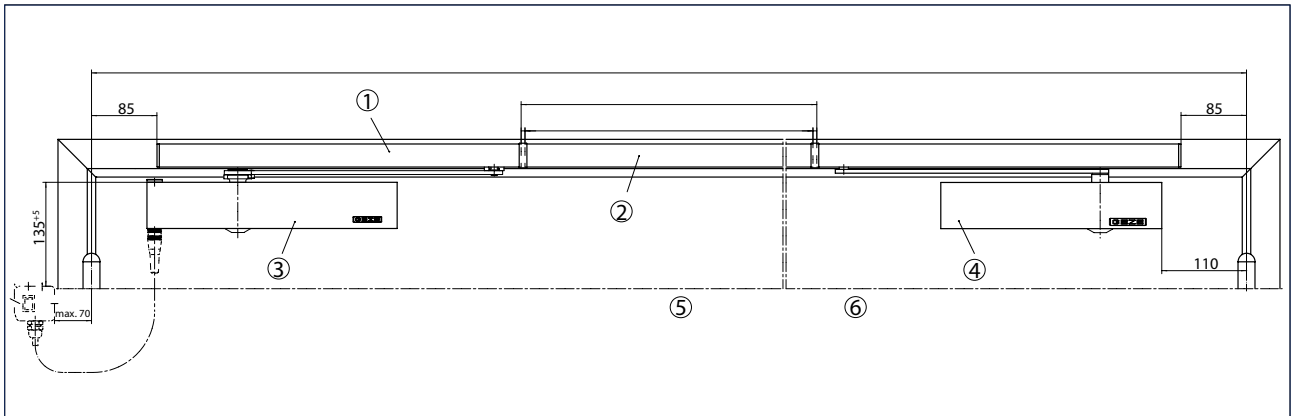
**Functions**

Freeswing function	•
Freeswing area	85 - 170 °
Freeswing function on active leaf	•
Integrated closing sequence control	•
Integrated hold-open device	No
Height correction possible	•
Flexible opening restrictor	◦

- = YES
- = OPTIONAL

**Door leaf installation/hinge side TS 5000 ISM-EFS**

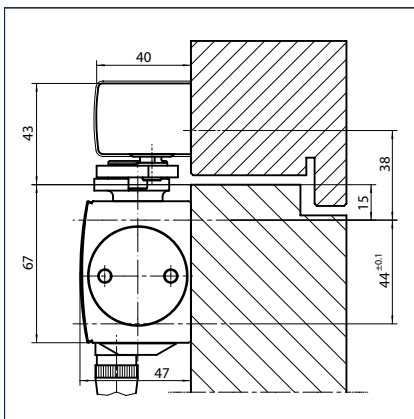
View



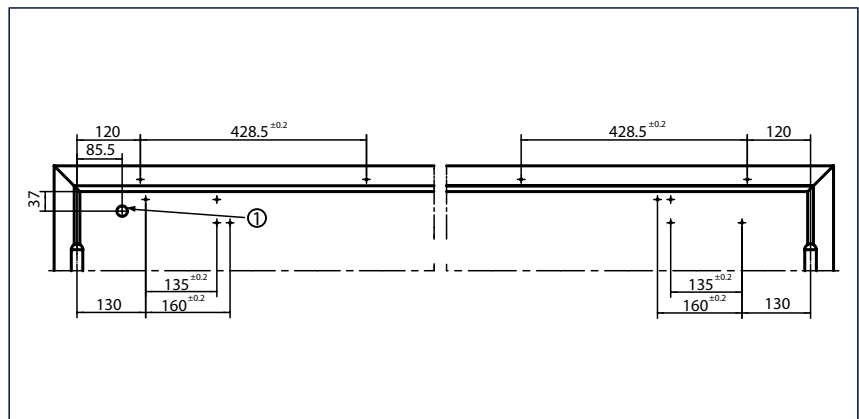
Example for installation

- 1 = ISM/EFS guide rail
- 2 = Middle section may be cut to size
- 3 = TS 5000 E-HY
- 4 = TS 5000
- 5 = Active leaf
- 6 = Fixed leaf

Direct installation

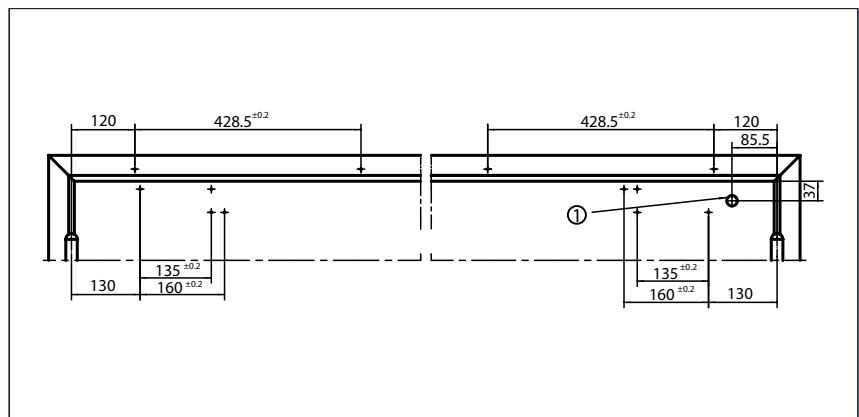


Cross-section = Direct installation



Fitting dimensions left-hand leaf = active leaf, right-hand leaf = fixed leaf

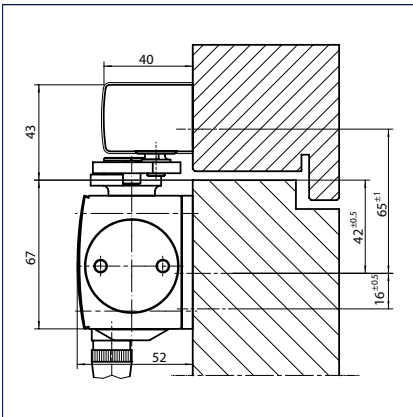
1 =  $\varnothing 15$  with concealed line-feed 24 V



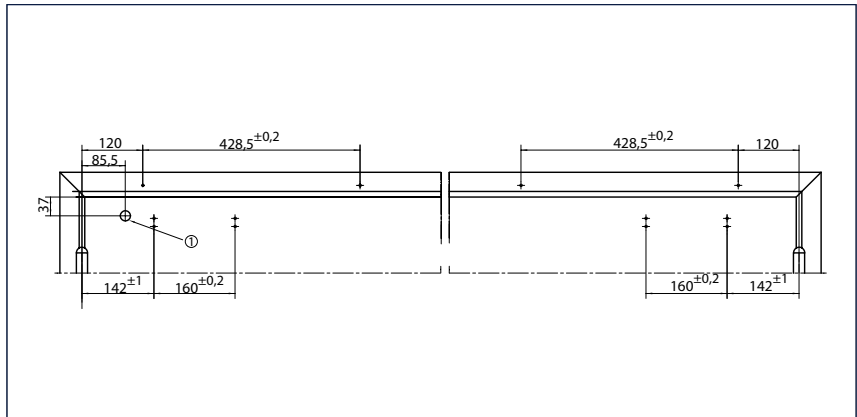
Fitting dimensions right-hand leaf = active leaf, left-hand leaf = fixed leaf

1 =  $\varnothing 15$  with concealed line-feed 24 V

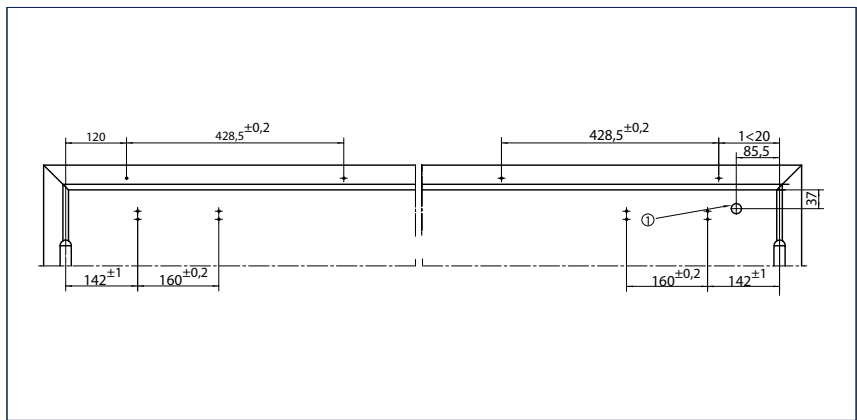
Installation with mounting plate



Cross-section = Installation with mounting plate



Fitting dimensions left-hand leaf = active leaf, right-hand leaf = fixed leaf  
 1 =  $\varnothing$  15 line-feed 24 V



Fitting dimensions right-hand leaf = active leaf, left-hand leaf = fixed leaf  
 1 =  $\varnothing$  15 line-feed 24 V

## GEZE TS 5000 ISM-EFS - Order information

Description	Version	ID.No.
GEZE TS 5000 closer Size EN 2-6, with back check (without guide rail and lever)	silver-coloured	027333
	dark bronze	027334
	white RAL 9016	027335
	stainless steel slide plate	137721
	acc. to RAL <sup>2)</sup>	027336
GEZE TS 5000 E-HY closer Size EN 2-5, door leaf installation on the hinge side, with electric hold-open device for freeswing function (without guide rail and lever)	silver-coloured	121389
	acc. to RAL <sup>2)</sup>	099129
ISM-EFS guide rail TS 5000 continuous, with integrated closing sequence control, freeswing lever on the active leaf, normal lever on the fixed leaf	silver-coloured	121449
	acc. to RAL <sup>2)</sup>	121451
<b>Installation materials</b>		
Guide rail mounting plate for ISM / E-ISM guide rail	silver-coloured	118702
	acc. to RAL <sup>2)</sup>	118703
Mounting plate door closer for TS 5000 EFS/RFS/E-HY / TS 4000 E with hole pattern in accordance with DIN EN 1154 Supplement 1	silver-coloured	059107
	acc. to RAL <sup>2)</sup>	100044
Mounting plate door closer for TS 5000/TS 4000 with hole pattern in accordance with DIN EN 1154 Supplement 1	silver-coloured	049185
	dark bronze	052351
	white RAL 9016	068627
	galvanised	057956
	acc. to RAL <sup>2)</sup>	029176
<b>Accessories</b>		
GEZE flexible opening restrictor for guide rail 1-leaf: TS 5000 E/R/RFS (leaf installation), Boxer E; 2-leaf: all E/R-ISM variants TS 5000 and Boxer		145311
GEZE smoke switch control unit RSZ 6 Smoke switch and power supply for all GEZE hold-open mechanisms	silver-coloured	099851
	dark bronze	099857
	white RAL 9016	099858
	simulated stainless steel <sup>1)</sup>	099856
	acc. to RAL <sup>2)</sup>	099859
GEZE smoke detector GC 152 Complete with base, 24 V DC, 20 mA, tested in accordance with EN54-7, with general approval for use with all GEZE hold-open systems, integrated line monitoring, conform with DIN EN 14637	white	139850
GEZE thermal detector GC 153 Complete with base, 24 V DC, 20 mA, tested in accordance with EN54-5, with general approval for use with all GEZE hold-open systems, integrated line monitoring, conform with DIN EN 14637	white	139881
GEZE manual trigger switch Flush-mounted version, for manual release of electrically controllable door hold-open mechanisms including terminating resistance for line monitoring	alpine white	116266
Surface-mounted box, single suitable for the AS 500 switch range		120503
GEZE manual trigger switch with glass cover and 5 interchangeable letterings Flush-mounted version, for manual release of electrically controllable door hold-open mechanisms including terminating resistance for line monitoring	alpine white	120880
Replacement glass cover for GEZE manual trigger switch 120880 and 120881		010994
GEZE carry bar CB flex for use on all 2-leaf rebated doors. Stepless, concealed length adjustment up to 210 mm leaf projection, hinged mechanism not visible, profile can be shortened if required, with attachment material	silver-coloured	153602
	acc. to RAL	153728

1) Only for dry rooms

2) Surcharge for RAL special colours, see General Information in the Price List.

## GEZE TS 5000 E-ISM

### Guide rail door closer system for 2-leaf doors up to 2800 mm hinge clearance with integrated closing sequence control and electric hold-open device

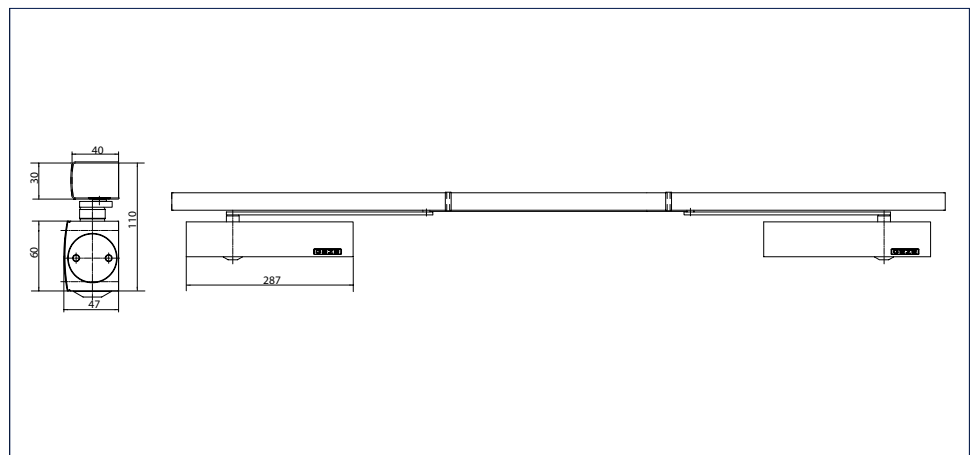
The TS 5000 E-ISM overhead door closer system for 2-leaf doors with integrated, invisible closing sequence control has an additional electromechanical hold-open function in the guide rail so that the door can be opened to an exact point. As the hold-open releases in the event of fire and the doors close automatically, the system is approved for use with fire and smoke protection doors. The GEZE system solution consists of two TS 5000 overhead door closers with adjustable closing force, size 2-6 in accordance with EN 1154, combined with the E-ISM guide rail with integrated mechanical closing sequence control, tested in accordance with EN 1158 and electromechanical hold-open to EN 1155 on both sides. The retention force is adjustable and the hold-open position can be overridden.

For the opposite hinge side the version TS 5000 L-E-ISM is available as standard or as panic function only on the active leaf. For all full panic requirements the version TS 5000 L-E-ISM VPK up to an X-dimension of 100 mm is available, with symmetric fitting dimensions.

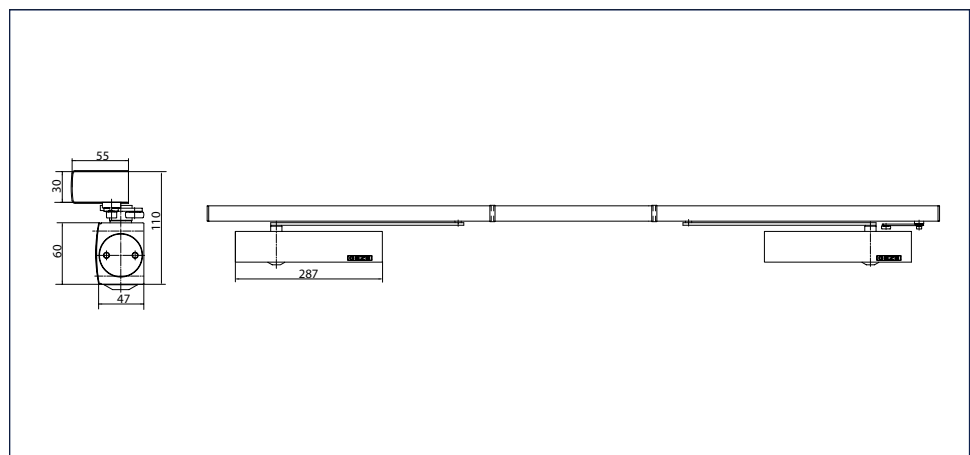
#### GEZE TS 5000 E-ISM



#### GEZE TS 5000 E-ISM



#### GEZE TS 5000 L-E-ISM / TS 5000 L-E-ISM VPK



**Area of application E-ISM**

- For 2-leaf doors, leaf width up to 1400 mm
- Min. hinge clearance = 1300 mm, max. hinge clearance = 2800 mm
- Overlength version up to 3200 mm
- Symmetrical and asymmetrical division of door possible, minimum width of the fixed leaf = 400 mm
- For fire protection doors (door closer with mounting plate)
- Can be used for doors mounted on the right or left without conversion

**Area of application L-E-ISM**

- For 2-leaf doors, leaf width up to 1400 mm
- Min. hinge clearance = 1360 mm, max. hinge clearance = 2800 mm
- Symmetrical and asymmetrical division of door possible, minimum width of the fixed leaf = 380 mm
- For fire protection doors (door closer with mounting plate)
- Can be used for doors mounted on the right or left without conversion
- Can be used as a standard version for the opposite hinge side or as a panic function only on the active leaf

**Area of application L-E-ISM VPK**

- For 2-leaf doors with full panic function, leaf width up to 1400 mm
- Min. hinge clearance = 1300 mm, max. hinge clearance = 2800 mm
- Symmetrical and asymmetrical division of door possible, minimum width of the fixed leaf = 380 mm
- For fire protection doors (door closer with mounting plate)
- Can be used for doors mounted on the right or left without conversion

**Closer technical data**

Product features	GEZE TS 5000 closer	GEZE TS 5000 L closer
Closing force in accordance with EN 1154	2 - 6	
Recommended leaf width up to	1400 mm	
Same version for left and right-hand doors	•	•
Product tested in accordance with	Door closer tested in accordance with EN 1154	
Fire protection door suitability	•	•
Mounting plate with hole pattern in accordance with EN1154 supplement	•	•
Length	287 mm	
Overall depth	47 mm	
Height	60 mm	

**Functions**

Adjustable closing force	Yes, stepless	
Adjustable closing speed	•	•
Adjustable latching action	Yes, via valve	
Integrated back check	Yes, hydraulically adjustable	
Position of closing force adjustment	Front	
Visual display of the closing force	•	•
Safety valve against wilful damage	•	•
Thermo-control valves	•	•

- = YES
- = OPTIONAL



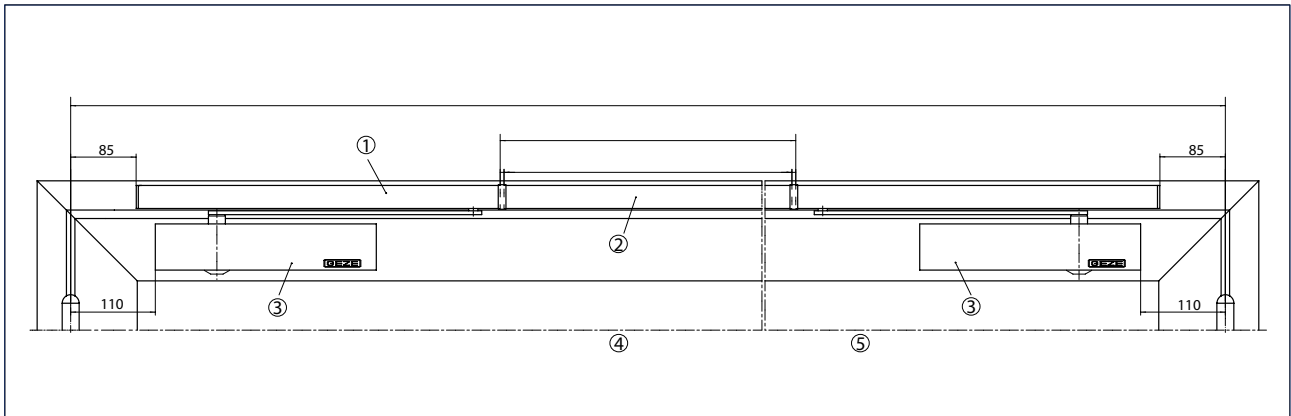
**Guide rail technical data**

Product features	E-ISM-guide rail TS 5000	E-ISM-guide rail BG TS 5000	E-ISM-guide rail BG VPK TS 5000
Minimum hinge clearance	1300 mm	1360 mm	1300 mm
Minimum fixed leaf width	400 mm	380 mm	
Supply voltage	24 V DC		
Electrical power consumption	4.8 W		
Duty rating	100 %		
Residual ripple	20 %		
Enclosure rating	IP 43		
Product tested in accordance with	Hold-open mechanism tested in accordance with EN 1155 Door closing sequence selector tested in accordance with EN 1158		
Length	2630 mm	2730 mm	2730 mm
Overall depth	40 mm	55 mm	
Height	30 mm		
<b>Functions</b>			
Integrated closing sequence control	●	●	●
Integrated hold-open device	Elektrisch		
Hold-open device on the active leaf / fixed leaf	● / ●		
Hold-open device can be overridden	●	●	●
Hold-open angle	80 - 130 °	above 80 °	
Height correction possible	●	●	●
Flexible opening restrictor	○	○	○

- = YES
- = OPTIONAL

**Door leaf installation/hinge side TS 5000 E-ISM**

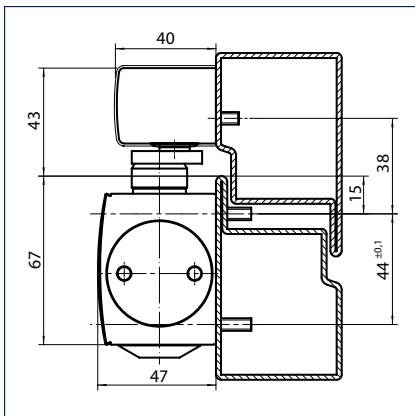
View



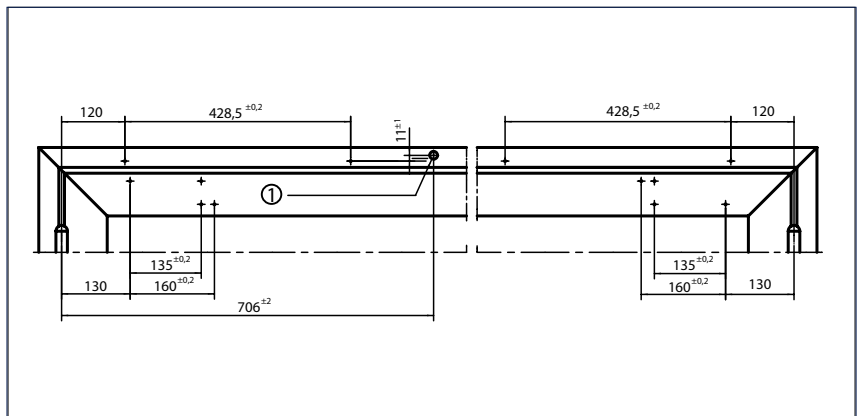
Example for installation

- 1 = E-ISM guide rail
- 2 = Middle section may be cut to size
- 3 = TS 5000
- 4 = Active leaf
- 5 = Fixed leaf

**Direct installation**

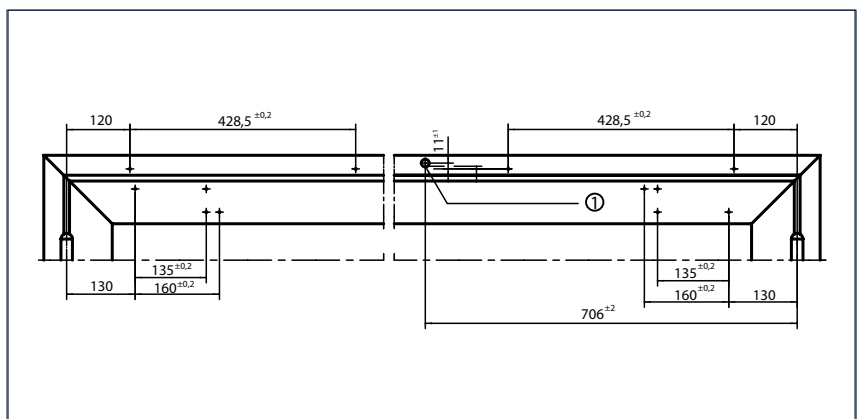


Cross-section = Direct installation



Fitting dimensions left-hand leaf = active leaf, right-hand leaf = fixed leaf

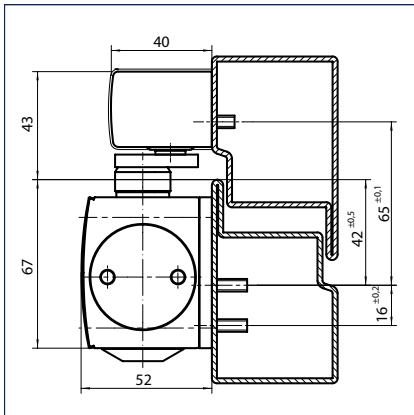
1 =  $\varnothing$  15 line-feed 24 V



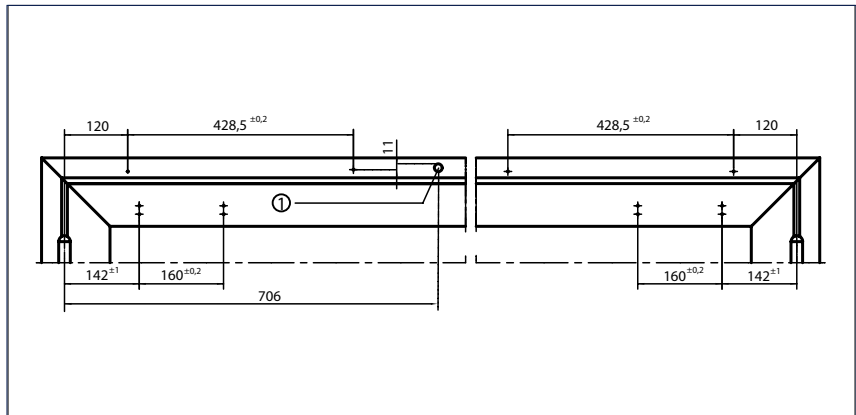
Fitting dimensions right-hand leaf = active leaf, left-hand leaf = fixed leaf

1 =  $\varnothing$  15 line-feed 24 V

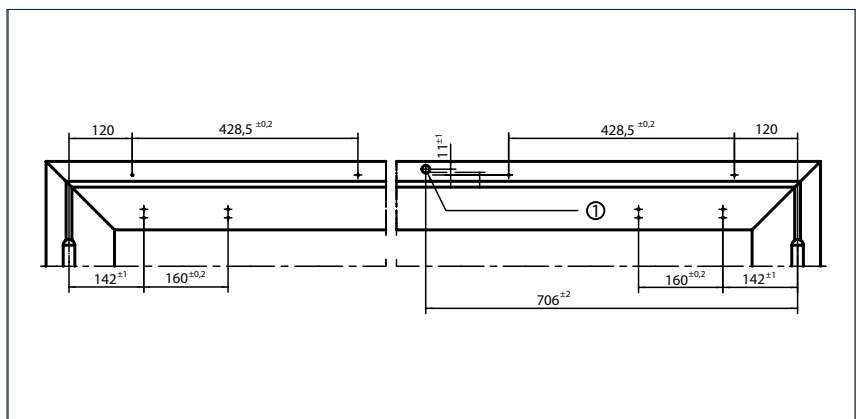
Installation with mounting plate



Cross-section = Installation with mounting plate



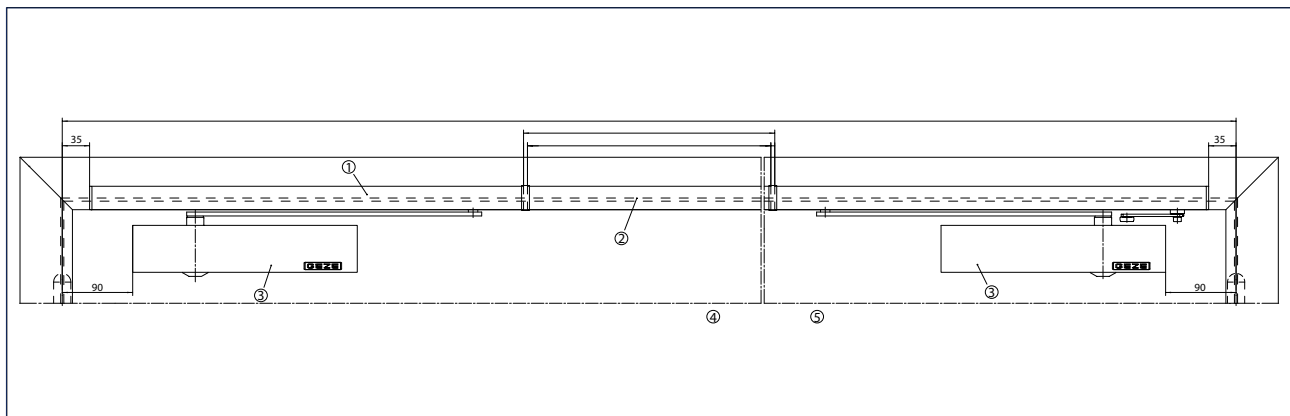
Fitting dimensions left-hand leaf = active leaf, right-hand leaf = fixed leaf  
 1 =  $\varnothing$  15 line-feed 24 V



Fitting dimensions right-hand leaf = active leaf, left-hand leaf = fixed leaf  
 1 =  $\varnothing$  15 line-feed 24 V

Door leaf installation/opposite hinge side TS 5000 L-E-ISM

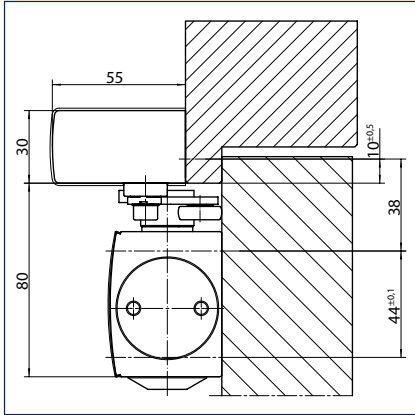
View



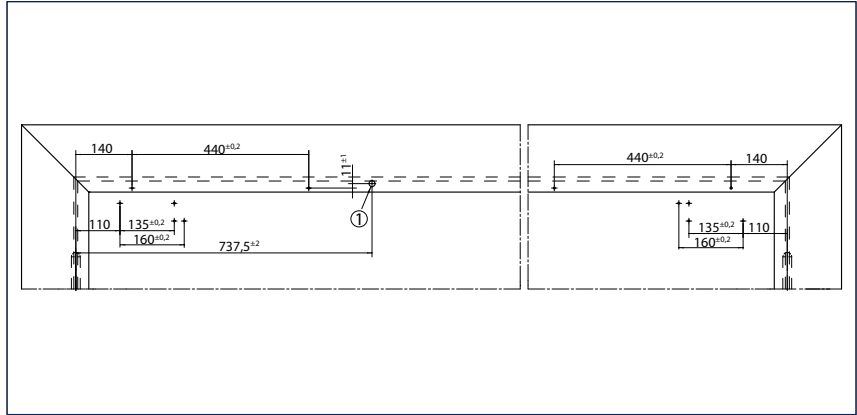
Example for installation

- 1 = E-ISM guide rail BG
- 2 = Middle section may be cut to size
- 3 = TS 5000 L
- 4 = Active leaf
- 5 = Fixed leaf

Direct installation

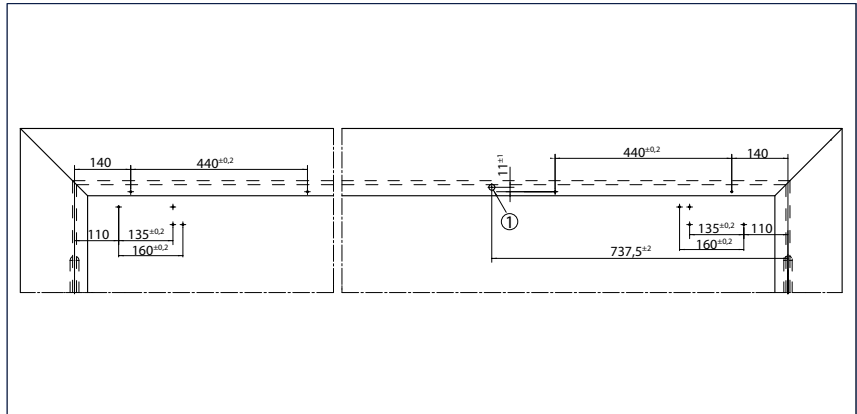


Cross-section = Direct installation



Fitting dimensions right-hand leaf = active leaf, left-hand leaf = fixed leaf

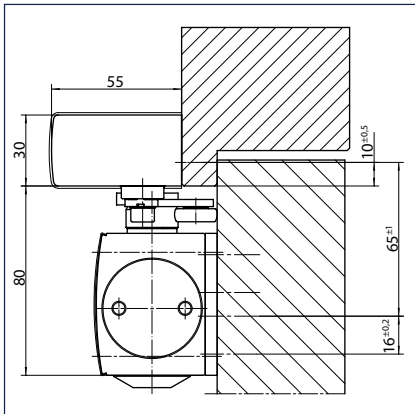
1 =  $\varnothing$  15 line-feed 24 V



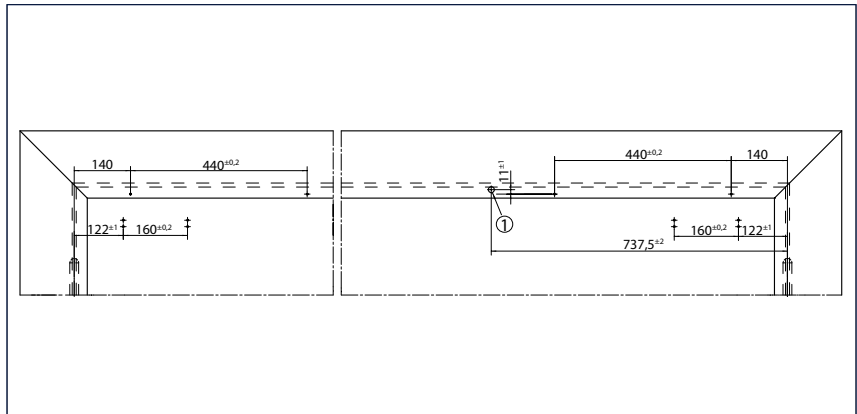
Fitting dimensions right-hand leaf = fixed leaf, left-hand leaf = active leaf

1 =  $\varnothing$  15 line-feed 24 V

Installation with mounting plate

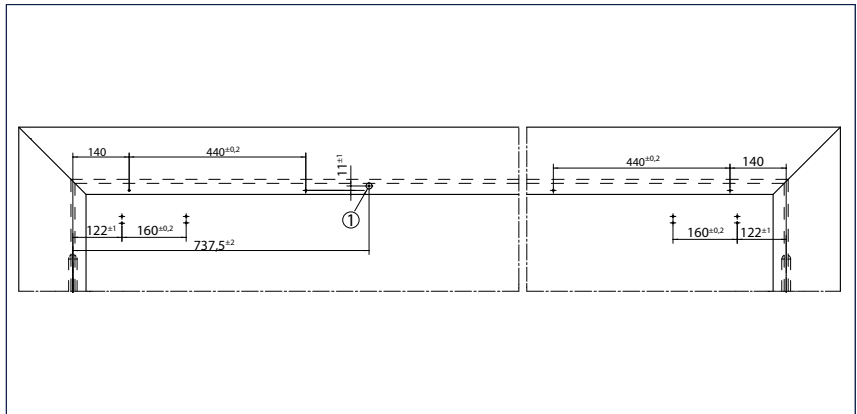


Cross-section = Installation with mounting plate



Fitting dimensions right-hand leaf = fixed leaf, left-hand leaf = active leaf

1 =  $\varnothing$  15 line-feed 24 V

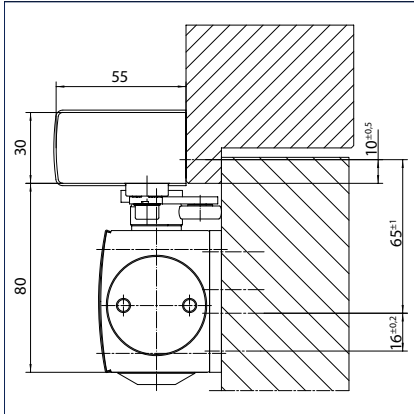


Fitting dimensions right-hand leaf = active leaf, left-hand leaf = fixed leaf

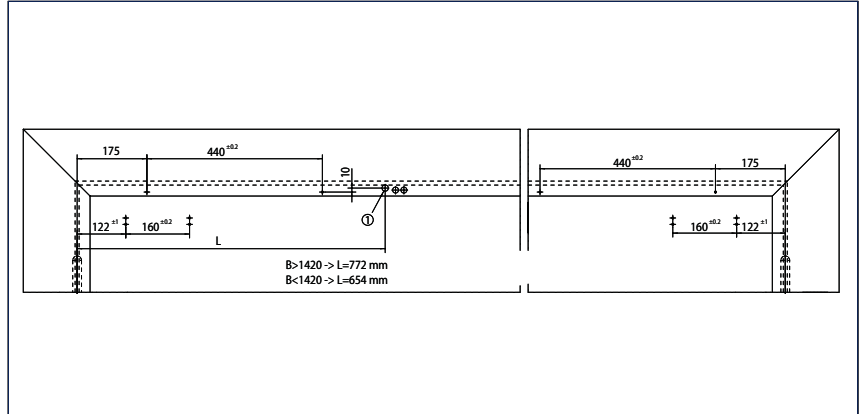
1 =  $\varnothing$  15 line-feed 24 V



## Installation with mounting plate

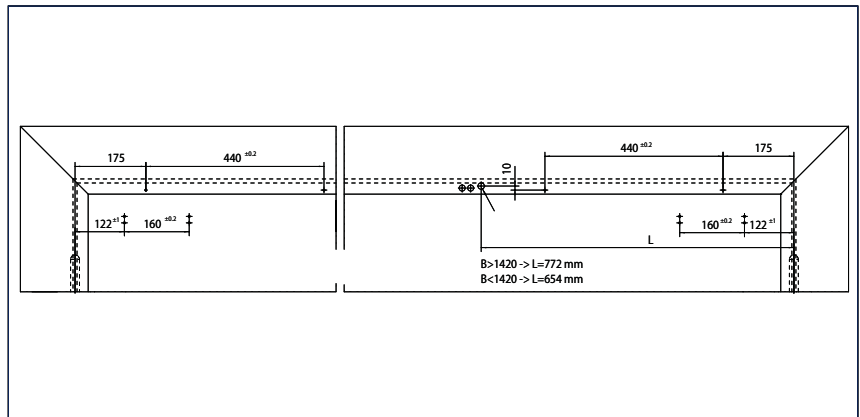


Cross-section = Installation with mounting plate



Fitting dimension right-hand leaf = active leaf, left-hand leaf = fixed leaf

- 1 =  $\varnothing$  16 line-feed 24 V  
 B = Door width  
 L = Length



Fitting dimension right-hand leaf = fixed leaf, left-hand leaf = active leaf

- 1 =  $\varnothing$  16 line-feed 24 V  
 B = Door width  
 L = Length

## GEZE TS 5000 E-ISM - Order information

Description	Version	ID.No.
GEZE TS 5000 closer Size EN 2-6, with back check (without guide rail and lever)	silver-coloured	027333
	dark bronze	027334
	white RAL 9016	027335
	stainless steel slide plate	137721
	acc. to RAL <sup>2)</sup>	027336
GEZE TS 5000 L closer Size EN 2-6, with back check (without guide rail and lever)	silver-coloured	027351
	dark bronze	029399
	white RAL 9016	029400
	stainless steel slide plate	137723
	acc. to RAL <sup>2)</sup>	027352
E-ISM guide rail TS 5000 continuous, with integrated closing sequence control, electric hold-open device and levers on both sides	silver-coloured	115600
	dark bronze	115601
	white RAL 9016	115602
	simulated stainless steel <sup>1)</sup>	115603
	acc. to RAL <sup>2)</sup>	115604
E-ISM guide rail TS 5000 overlength continuous, overlength up to 3200 mm, with integrated closing sequence control, electric hold-open device on both sides and levers	silver-coloured	115612
	acc. to RAL <sup>2)</sup>	115613
	silver-coloured	115605
E-ISM/G guide rail TS 5000 continuous, with integrated closing sequence control, electric hold-open device on the active leaf and levers	simulated stainless steel <sup>1)</sup>	115606
	acc. to RAL <sup>2)</sup>	115607

Description	Version	ID.No.
E-ISM guide rail BG TS 5000 continuous, with integrated closing sequence control, electric hold-open device and levers on both sides	silver-coloured	115608
	white RAL 9016	115609
	simulated stainless steel <sup>1)</sup>	115610
E-ISM guide rail BG VPK TS 5000 complete package System solution for general use on full panic doors comprising 1 x TS 5000 L, 1 x TS 5000 L-IS, 1 x E-ISM BG guide rail with electric hold-open mechanism on both sides, continuous, with integrated release mechanism and levers	acc. to RAL <sup>2)</sup>	115611
	silver-coloured	146455
	acc. to RAL <sup>2)</sup>	146456
<b>Installation materials</b>		
Guide rail mounting plate for ISM / E-ISM guide rail	silver-coloured	118702
	acc. to RAL <sup>2)</sup>	118703
Mounting plate door closer for TS 5000/TS 4000 with hole pattern in accordance with DIN EN 1154 Supplement 1	silver-coloured	049185
	dark bronze	052351
	white RAL 9016	068627
	galvanised	057956
	acc. to RAL <sup>2)</sup>	029176
Mounting plate guide rail BG for ISM / E-ISM / R-ISM guide rail BG & VP versions	silver-coloured	118704
	acc. to RAL <sup>2)</sup>	118705
Lintel casing bracket guide rail BG for ISM / E-ISM / R-ISM guide rail BG	silver-coloured	118706
	acc. to RAL <sup>2)</sup>	118707
Mounting plate guide rail BG for ISM-/ E-ISM BG VPK guide rail	silver-coloured	139757
	acc. to RAL <sup>2)</sup>	139760
Lintel casing bracket guide rail BG for ISM-/ E-ISM BG VPK guide rail	silver-coloured	139710
	acc. to RAL <sup>2)</sup>	139763
<b>Accessories</b>		
GEZE flexible opening restrictor for guide rail 1-leaf: TS 5000 E/R/RFS (leaf installation), Boxer E; 2-leaf: all E/R-ISM variants TS 5000 and Boxer		145311
Door closer cover cap for TS 5000/TS 5000 L/TS 4000, can only be used for door leaf installation	silver-coloured	067724
	dark bronze	067725
	white RAL 9016	067726
	stainless steel	072696
	brass	072698
GEZE smoke switch control unit RSZ 6 Smoke switch and power supply for all GEZE hold-open mechanisms	acc. to RAL <sup>2)</sup>	000756
	silver-coloured	099851
	dark bronze	099857
	white RAL 9016	099858
	simulated stainless steel <sup>1)</sup>	099856
GEZE smoke detector GC 152 Complete with base, 24 V DC, 20 mA, tested in accordance with EN54-7, with general approval for use with all GEZE hold-open systems, integrated line monitoring, conform with DIN EN 14637	acc. to RAL <sup>2)</sup>	099859
	white	139850
GEZE thermal detector GC 153 Complete with base, 24 V DC, 20 mA, tested in accordance with EN54-5, with general approval for use with all GEZE hold-open systems, integrated line monitoring, conform with DIN EN 14637	white	139881
GEZE manual trigger switch Flush-mounted version, for manual release of electrically controllable door hold-open mechanisms including terminating resistance for line monitoring	alpine white	116266

Description	Version	ID.No.
Surface-mounted box, single suitable for the AS 500 switch range		120503
GEZE manual trigger switch with glass cover and 5 interchangeable letterings Flush-mounted version, for manual release of electrically controllable door hold-open mechanisms including terminating resistance for line monitoring	alpine white	120880
Replacement glass cover for GEZE manual trigger switch 120880 and 120881		010994
GEZE carry bar CB flex for use on all 2-leaf rebated doors. Stepless, concealed length adjustment up to 210 mm leaf projection, hinged mechanism not visible, profile can be shortened if required, with attachment material	silver-coloured	153602
	acc. to RAL	153728

1) Only for dry rooms

2) Surcharge for RAL special colours, see General Information in the Price List.



## GEZE TS 5000 R-ISM

**Guide rail door closer system for 2-leaf doors up to 2800 mm hinge clearance with integrated closing sequence control, electric hold-open device and smoke switch control unit**

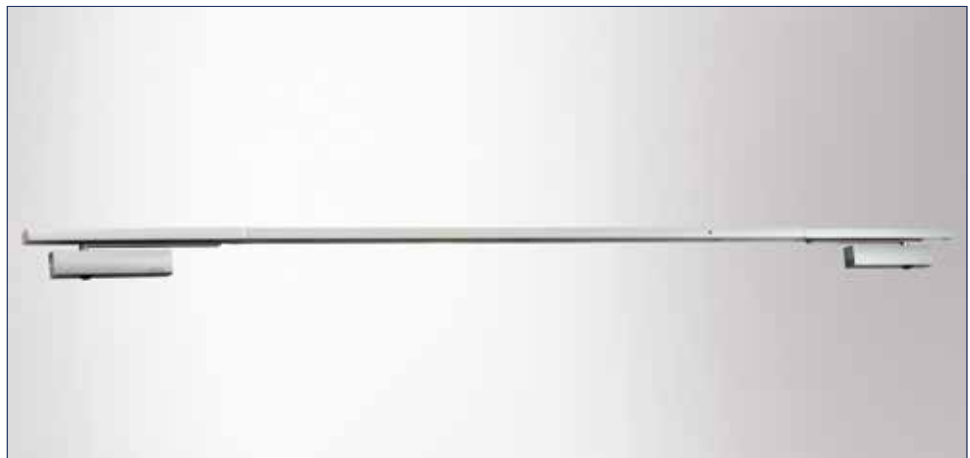
The overhead door closer system TS 5000 R-ISM for 2-leaf doors with integrated, invisible closing sequence control, two-sided electromechanical hold-open device and integrated smoke switch control unit is approved for installation on smoke and fire protection doors. In the event of fire, the smoke detector triggers and the doors close automatically. The GEZE system solution is made up of two overhead door closers TS 5000 with adjustable closing force size 2-6 in accordance with EN 1154, combined with the R-ISM guide rail with integrated mechanical closing sequence control tested in accordance with EN 1158, two-sided electromechanical hold-open device in accordance with EN 1155 and smoke switch control unit with soiling indicator and adaption of the alarm threshold. The retention force can be adjusted and the hold-open position can be overridden. The hold-open system has a certificate of general building approval.

For the opposite hinge side, the variant TS 5000 L-R-ISM is available as standard or with panic function only on the active leaf. The variant TS 5000 L-R-ISM VP up to an X-dimension of 100 mm is available for all full panic requirements, asymmetrical buffer pattern.

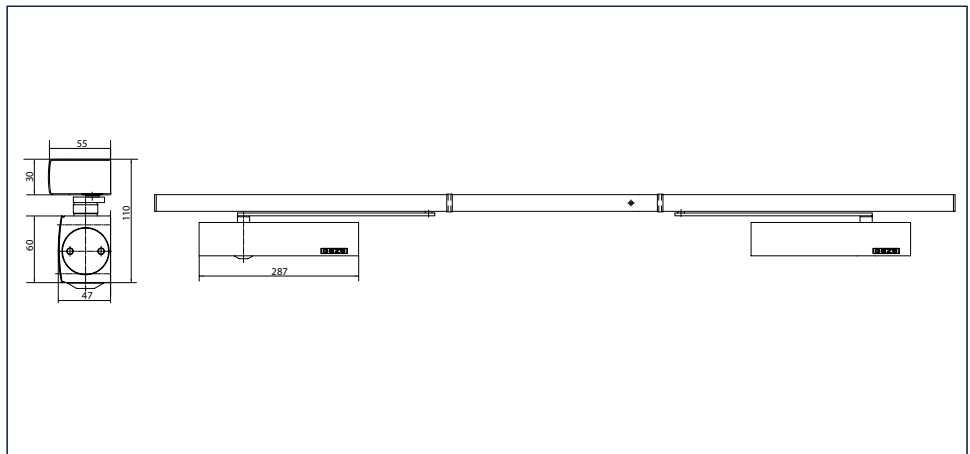
### Special versions

- GEZE TS 5000 R-ISM/G with hold-open device only in the active leaf

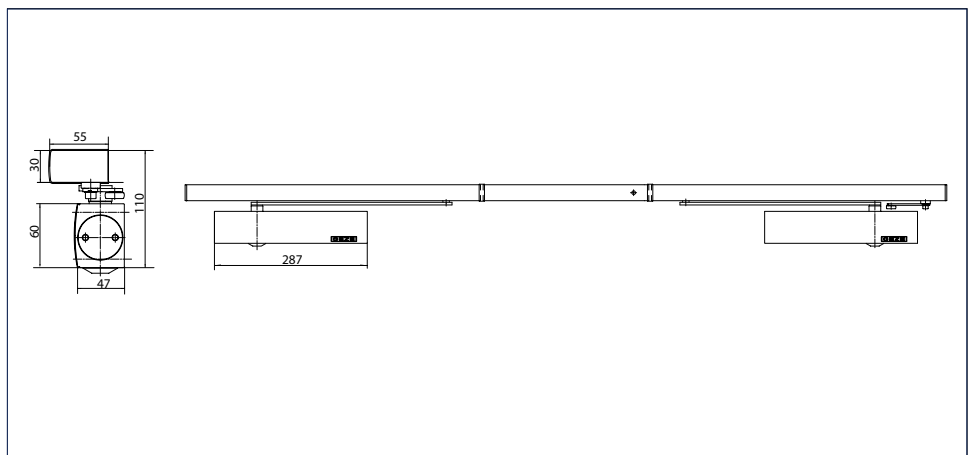
### GEZE TS 5000 R-ISM



### GEZE TS 5000 R-ISM



### GEZE TS 5000 L-R-ISM / TS 5000 L-R-ISM VP



### Area of application R-ISM

- For 2-leaf doors, leaf width up to 1400 mm
- Min. hinge clearance = 1500 mm, max. hinge clearance = 2800 mm
- Overlength version up to 3200 mm
- Symmetrical and asymmetrical division of door possible, minimum width of the fixed leaf = 400 mm
- For fire protection doors (door closer with mounting plate)
- Can be used for doors mounted on the right or left without conversion

### Area of application L-R-ISM

- For 2-leaf doors, leaf width up to 1400 mm
- Min. hinge clearance = 1560 mm, max. hinge clearance = 2800 mm
- Symmetrical and asymmetrical division of door possible, minimum width of the fixed leaf = 380 mm
- For fire protection doors (door closer with mounting plate)
- Can be used for doors mounted on the right or left without conversion
- Can be used as a standard version for the opposite hinge side or as a panic function only on the active leaf

### Area of application L-R-ISM VP

- For 2-leaf doors, leaf width up to 1400 mm
- Min. hinge clearance = 1645 mm, max. hinge clearance = 2800 mm
- Symmetrical and asymmetrical division of door possible, minimum width of the fixed leaf = 380 mm
- For fire protection doors (door closer with mounting plate)
- Can be used for doors mounted on the right or left without conversion
- X-dimension up to max. 100 mm (inc. mounting plate, see p. 8), door opening angle active leaf side > 90°, the diagram „door opening angle“ on page 8 does not apply to L-R-ISM VP

### Closer technical data

Product features	GEZE TS 5000 closer	GEZE TS 5000 L closer
Closing force in accordance with EN 1154	2 - 6	
Recommended leaf width up to	1400 mm	
Same version for left and right-hand doors	•	•
Product tested in accordance with	Door closer tested in accordance with EN 1154	
Fire protection door suitability	•	•
Mounting plate with hole pattern in accordance with EN1154 supplement	•	•
Length	287 mm	
Overall depth	47 mm	
Height	60 mm	

### Functions

Adjustable closing force	Yes, stepless	
Adjustable closing speed	•	•
Adjustable latching action	Yes, via valve	
Integrated back check	Yes, hydraulically adjustable	
Position of closing force adjustment	Front	
Visual display of the closing force	•	•
Safety valve against wilful damage	•	•
Thermo-control valves	•	•

- = YES
- = OPTIONAL

**Guide rail technical data**

Product features	R-ISM guide rail TS 5000	R-ISM/G guide rail TS 5000	R-ISM guide rail TS 5000	R-ISM guide rail BG VP TS 5000
Minimum hinge clearance	1500 mm		1560 mm	1645 mm
Minimum fixed leaf width	400 mm		380 mm	
Supply voltage	230 V 50 Hz			
Duty rating	100 %			
Enclosure rating	IP 20			
Ambient temperature	0 - 50 °C			
Product tested in accordance with	Hold-open mechanism tested in accordance with EN 1155 Door closing sequence selector tested in accordance with EN 1158 General building approval from DIBt as a hold-open system			
Length	2740 mm		2730 mm	2645 mm
Overall depth	55 mm			
Height	30 mm			

**Functions**

Integrated closing sequence control		•		•		•		
Integrated hold-open device	Electrical							
Hold-open device on the active leaf / fixed leaf	• / •		• / -		• / •		• / •	
Hold-open device can be overridden		•		•		•		•
Hold-open angle	80 - 130 °				above 80°		above 80°	
Integrated smoke switch	•		•		•		•	
with visual operating state display	•		•		•		•	
with clogging indicator	•		•		•		•	
with adaption of the alarm threshold	•		•		•		•	
Integrated power supply	•		•		•		•	
Height correction possible	•		•		•		•	
Flexible opening restrictor	o		o		o <sup>1)</sup>		o <sup>1)</sup>	

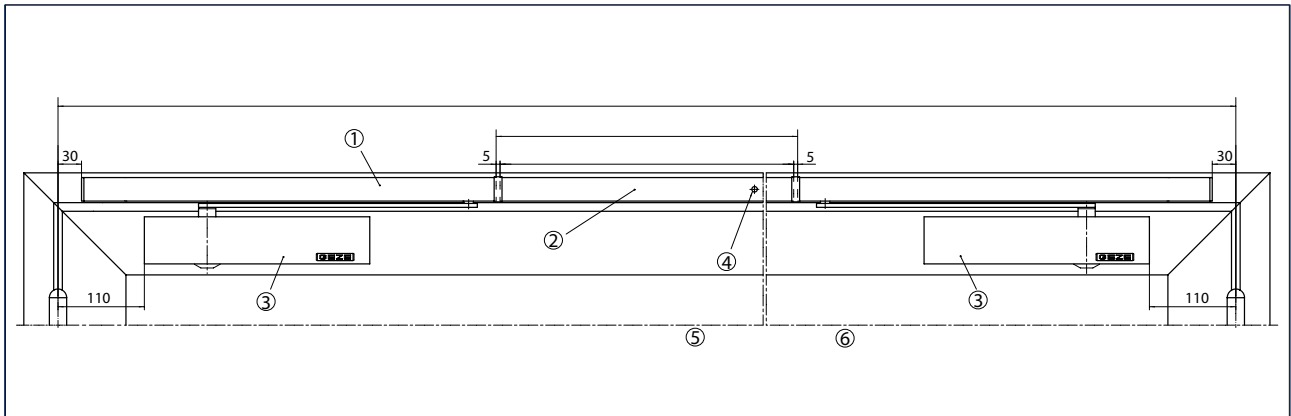
• = YES

o = OPTIONAL

1) LIMITED USE ONLY, DEPENDENT ON X-DIMENSION

**Door leaf installation/hinge side TS 5000 R-ISM**

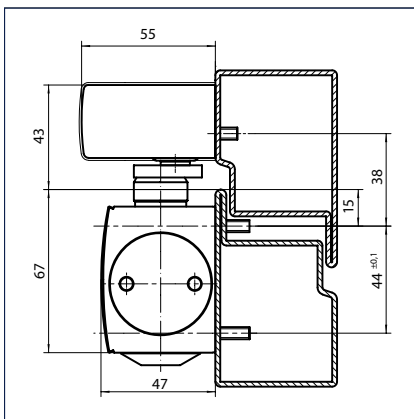
View



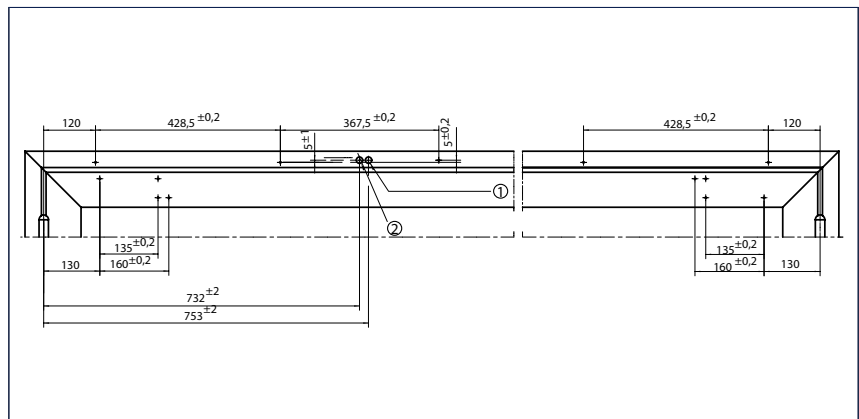
Example for installation

- 1 = R-ISM guide rail
- 2 = Middle section may be cut to size
- 3 = TS 5000
- 4 = Smoke switch control unit
- 5 = Active leaf
- 6 = Fixed leaf

**Direct installation**

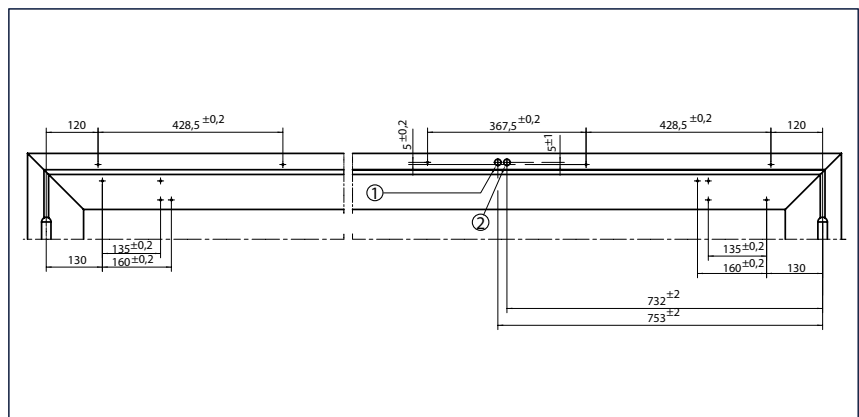


Cross-section = Direct installation



Fitting dimensions left-hand leaf = active leaf, right-hand leaf = fixed leaf

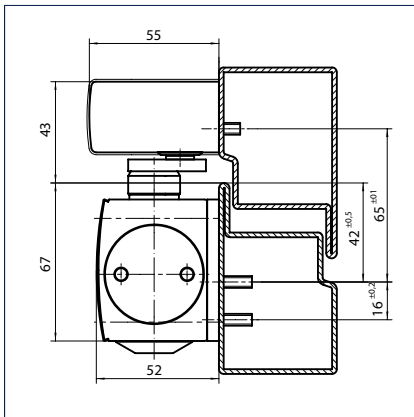
- 1 =  $\varnothing$  15 additional cable
- 2 =  $\varnothing$  15 230 V AC



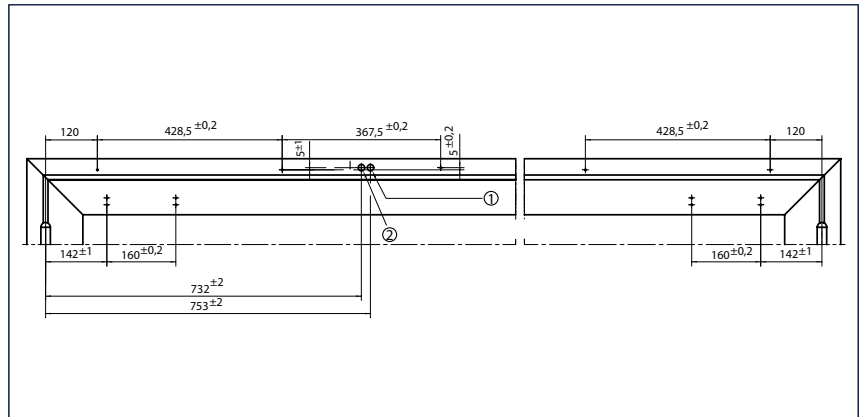
Fitting dimensions right-hand leaf = active leaf, left-hand leaf = fixed leaf

- 1 =  $\varnothing$  15 additional cable
- 2 =  $\varnothing$  15 230 V AC

Installation with mounting plate

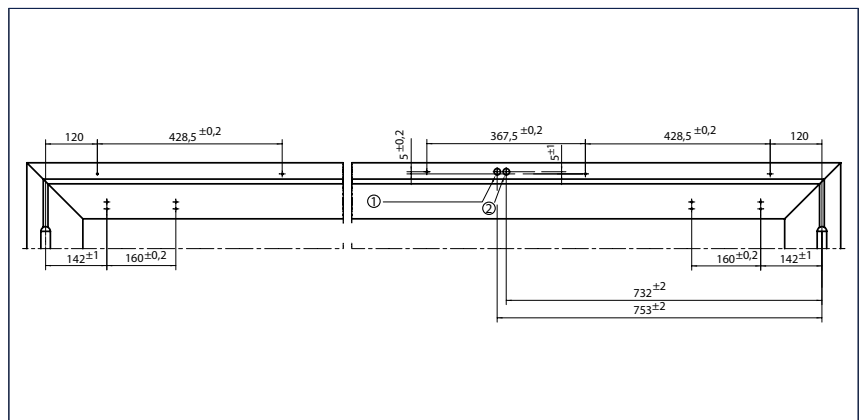


Cross-section = Installation with mounting plate



Fitting dimensions left-hand leaf = active leaf, right-hand leaf = fixed leaf

- 1 =  $\varnothing$  15 additional cable
- 2 =  $\varnothing$  15 230 V AC

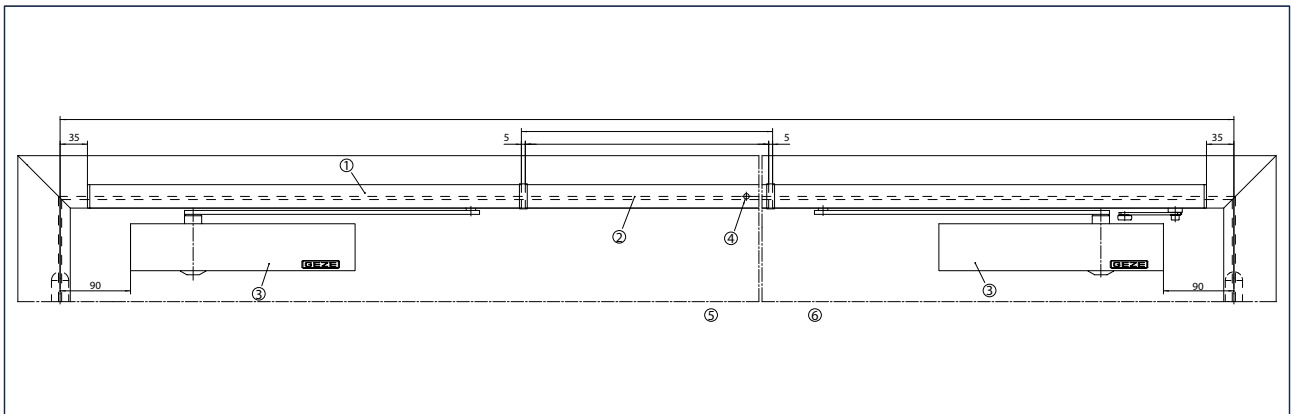


Fitting dimensions right-hand leaf = active leaf, left-hand leaf = fixed leaf

- 1 =  $\varnothing$  15 additional cable
- 2 =  $\varnothing$  15 230 V AC

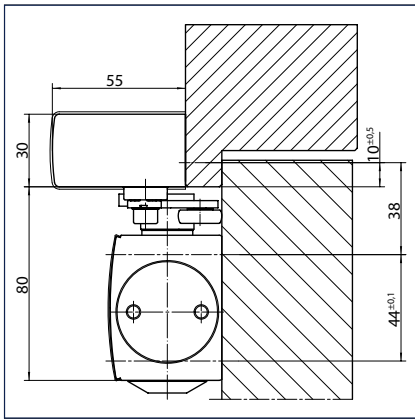
Door leaf installation/opposite hinge side TS 5000 L-R-ISM

View

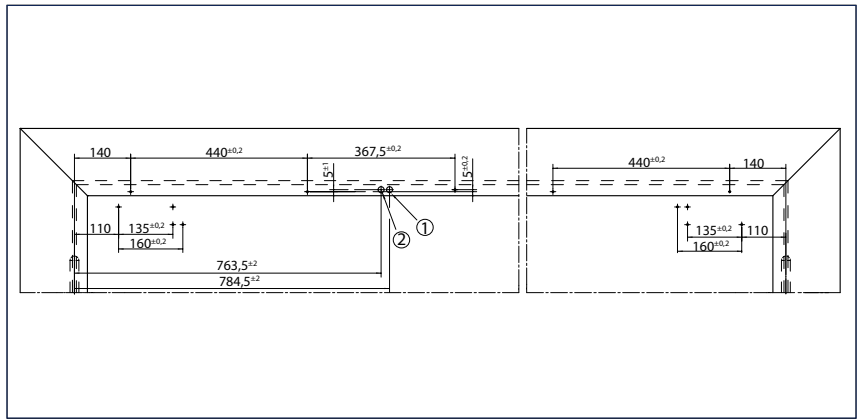


Example for installation

- 1 = R-ISM guide rail BG
- 2 = Middle section may be cut to size
- 3 = TS 5000 L
- 4 = Smoke switch control unit
- 5 = Active leaf
- 6 = Fixed leaf

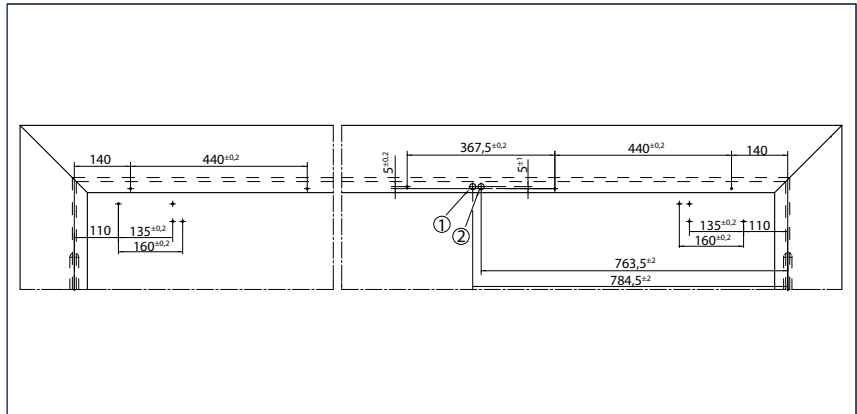


Cross-section = Direct installation



Fitting dimensions right-hand leaf = active leaf, left-hand leaf = fixed leaf

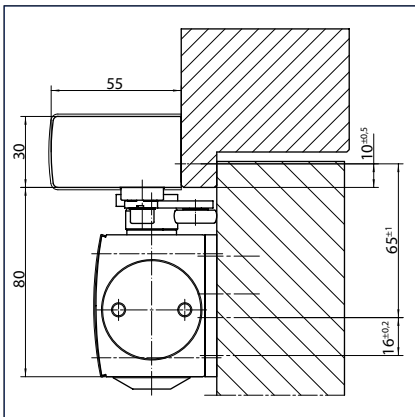
- 1 =  $\varnothing$  15 additional cable
- 2 =  $\varnothing$  15 230 V AC



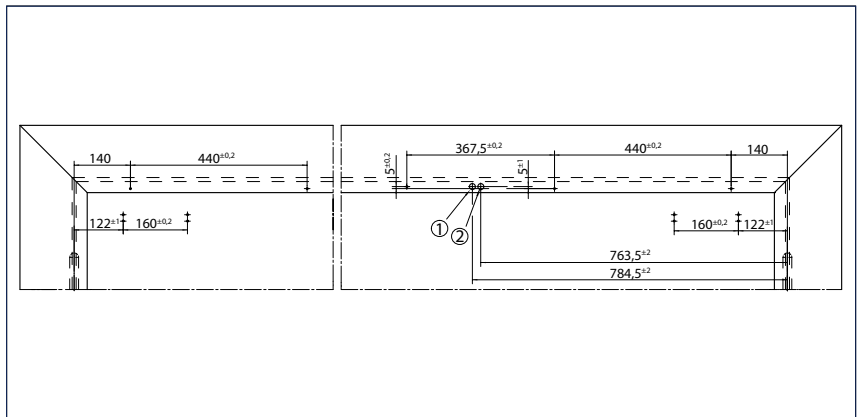
Fitting dimensions right-hand leaf = fixed leaf, left-hand leaf = active leaf

- 1 =  $\varnothing$  15 additional cable
- 2 =  $\varnothing$  15 230 V AC

Installation with mounting plate

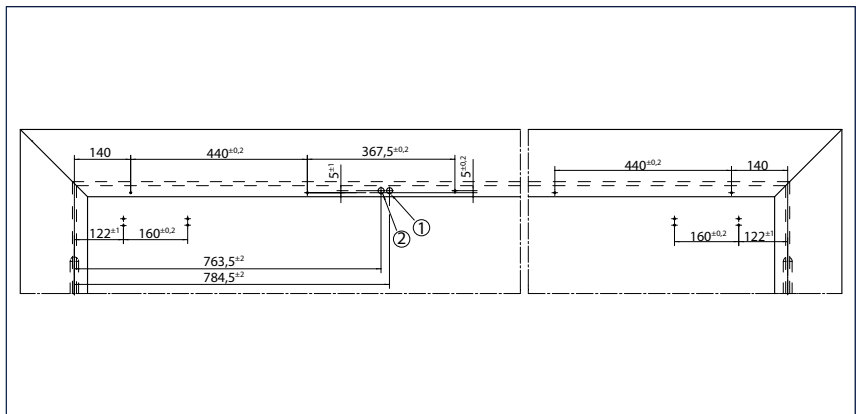


Cross-section = Installation with mounting plate



Fitting dimensions right-hand leaf = fixed leaf, left-hand leaf = active leaf

- 1 =  $\varnothing$  15 additional cable
- 2 =  $\varnothing$  15 230 V AC

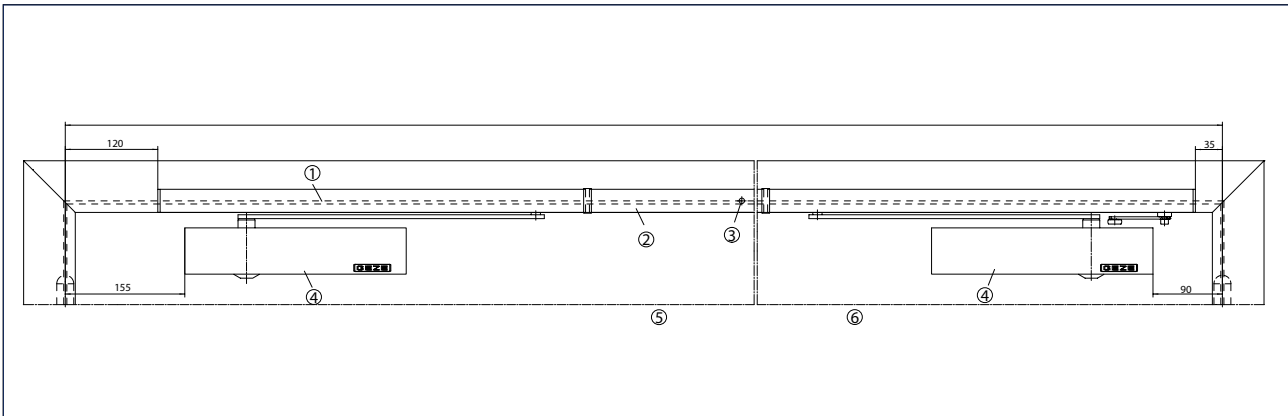


Fitting dimensions right-hand leaf = active leaf, left-hand leaf = fixed leaf

- 1 =  $\varnothing$  15 additional cable
- 2 =  $\varnothing$  15 230 V AC

**Door leaf installation/opposite hinge side TS 5000 L-R-ISM VP**

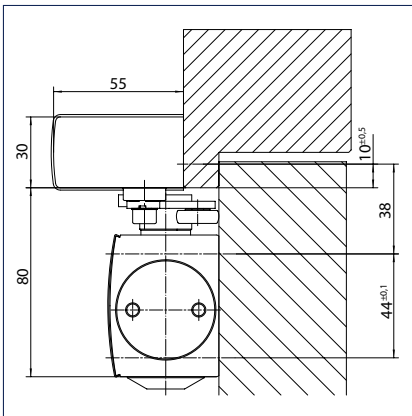
View



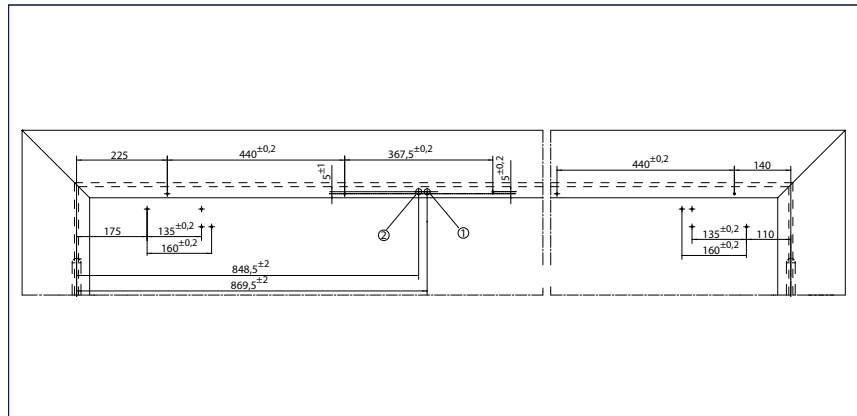
Example for installation

- 1 = R-ISM guide rail BG VP
- 2 = Middle section may be cut to size
- 3 = Smoke switch control unit
- 4 = TS 5000 L
- 5 = Active leaf
- 6 = Fixed leaf

**Direct installation**

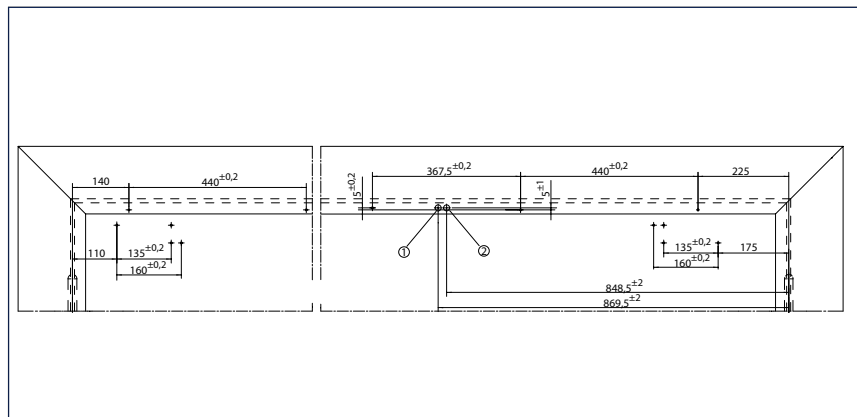


Cross-section = Direct installation



Fitting dimensions right-hand leaf = active leaf, left-hand leaf = fixed leaf

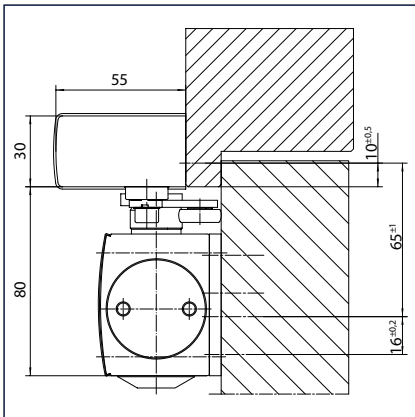
- 1 =  $\varnothing$  15 additional cable
- 2 =  $\varnothing$  15 230 V AC



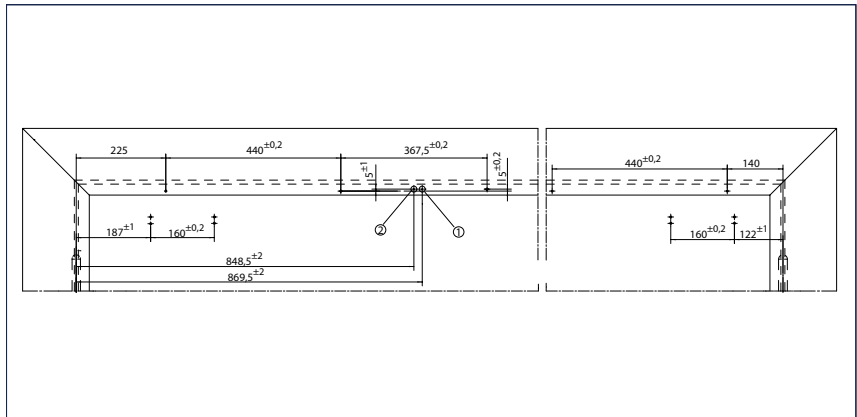
Fitting dimensions right-hand leaf = fixed leaf, left-hand leaf = active leaf

- 1 =  $\varnothing$  15 additional cable
- 2 =  $\varnothing$  15 230 V AC

Installation with mounting plate

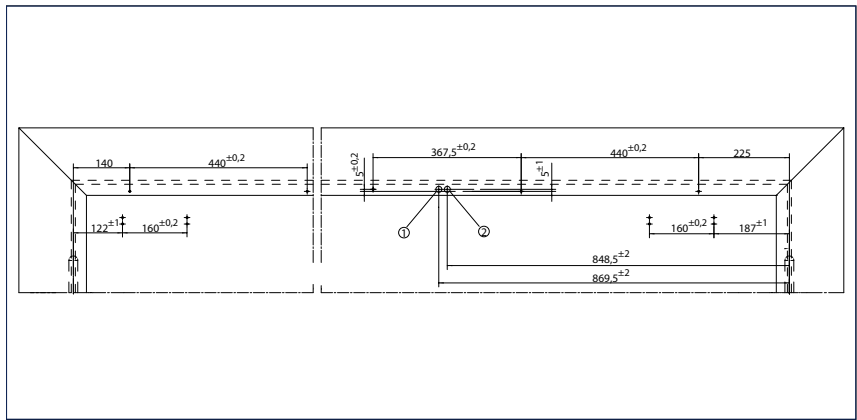


Cross-section = Installation with mounting plate



Fitting dimensions right-hand leaf = active leaf, left-hand leaf = fixed leaf

- 1 = ø 15 additional cable
- 2 = ø 15 230 V AC



Fitting dimensions right-hand leaf = fixed leaf, left-hand leaf = active leaf

- 1 = ø 15 additional cable
- 2 = ø 15 230 V AC



## GEZE TS 5000 R-ISM - Order information

Description	Version	ID.No.
GEZE TS 5000 closer Size EN 2-6, with back check (without guide rail and lever)	silver-coloured	027333
	dark bronze	027334
	white RAL 9016	027335
	stainless steel slide plate	137721
	acc. to RAL <sup>2)</sup>	027336
GEZE TS 5000 L closer Size EN 2-6, with back check (without guide rail and lever)	silver-coloured	027351
	dark bronze	029399
	white RAL 9016	029400
	stainless steel slide plate	137723
	acc. to RAL <sup>2)</sup>	027352
R-ISM guide rail TS 5000 continuous, with integrated closing sequence control, electric hold-open device, smoke switch control unit and levers on both sides	silver-coloured	115614
	dark bronze	115615
	white RAL 9016	115616
	simulated stainless steel <sup>1)</sup>	115617
	acc. to RAL <sup>2)</sup>	115618
R-ISM guide rail TS 5000 overlength continuous, overlength up to 3200 mm, with integrated closing sequence control, electric hold-open device on both sides, smoke switch control unit and levers	silver-coloured	115626
	acc. to RAL <sup>2)</sup>	115627
R-ISM/G guide rail TS 5000 continuous, with integrated closing sequence control, electric hold-open device on the active leaf, smoke switch control unit and levers	silver-coloured	115619
	simulated stainless steel <sup>1)</sup>	115620
	acc. to RAL <sup>2)</sup>	115621
R-ISM guide rail BG TS 5000 continuous, with integrated closing sequence control, electric hold-open device, smoke switch control unit and levers on both sides	silver-coloured	115622
	white RAL 9016	115623
	simulated stainless steel <sup>1)</sup>	115624
	acc. to RAL <sup>2)</sup>	115625
R-ISM guide rail BG VP TS 5000 continuous, with integrated closing sequence control, electric hold-open device and levers on both sides, smoke switch control unit and levers, especially for full panic doors. Note: maximum X-dimension (centre of hinge – contact area of guide rail) 100 mm including mounting plate	silver-coloured	133711
	white RAL 9016	133712
	simulated stainless steel <sup>1)</sup>	133713
	acc. to RAL <sup>2)</sup>	133714
<b>Installation materials</b>		
Guide rail mounting plate for R-ISM guide rail	silver-coloured	118690
	acc. to RAL <sup>2)</sup>	118701
Mounting plate door closer for TS 5000/TS 4000 with hole pattern in accordance with DIN EN 1154 Supplement 1	silver-coloured	049185
	dark bronze	052351
	white RAL 9016	068627
	galvanised	057956
	acc. to RAL <sup>2)</sup>	029176
Mounting plate guide rail BG for ISM / E-ISM / R-ISM guide rail BG & VP versions	silver-coloured	118704
	acc. to RAL <sup>2)</sup>	118705
Lintel casing bracket guide rail BG for ISM / E-ISM / R-ISM guide rail BG	silver-coloured	118706
	acc. to RAL <sup>2)</sup>	118707
Lintel casing bracket guide rail BG for ISM / E-ISM / R-ISM guide rail VP	silver-coloured	134816
	acc. to RAL	134817

Description	Version	ID.No.
<b>Accessories</b>		
GEZE flexible opening restrictor for guide rail 1-leaf: TS 5000 E/R/RFS (leaf installation), Boxer E; 2-leaf: all E/R-ISM variants TS 5000 and Boxer		145311
Door closer cover cap for TS 5000/TS 5000 L/TS 4000, can only be used for door leaf installation	silver-coloured	067724
	dark bronze	067725
	white RAL 9016	067726
	stainless steel	072696
	brass	072698
	acc. to RAL <sup>2)</sup>	000756
GEZE smoke detector GC 152 Complete with base, 24 V DC, 20 mA, tested in accordance with EN54-7, with general approval for use with all GEZE hold-open systems, integrated line monitoring, conform with DIN EN 14637	white	139850
GEZE thermal detector GC 153 Complete with base, 24 V DC, 20 mA, tested in accordance with EN54-5, with general approval for use with all GEZE hold-open systems, integrated line monitoring, conform with DIN EN 14637	white	139881
GEZE manual trigger switch Flush-mounted version, for manual release of electrically controllable door hold-open mechanisms including terminating resistance for line monitoring	alpine white	116266
Surface-mounted box, single suitable for the AS 500 switch range		120503
GEZE manual trigger switch with glass cover and 5 interchangeable letterings Flush-mounted version, for manual release of electrically controllable door hold-open mechanisms including terminating resistance for line monitoring	alpine white	120880
Replacement glass cover for GEZE manual trigger switch 120880 and 120881		010994
GEZE carry bar CB flex for use on all 2-leaf rebated doors. Stepless, concealed length adjustment up to 210 mm leaf projection, hinged mechanism not visible, profile can be shortened if required, with attach- ment material	silver-coloured	153602
	acc. to RAL	153728

1) Only for dry rooms

2) Surcharge for RAL special colours, see General Information in the Price List.

## GEZE TS 5000 R-ISM-EFS

**Guide rail door closer system for 2-leaf doors up to 2500 mm hinge clearance with integrated closing sequence control, electric hold-open device and smoke switch control unit**

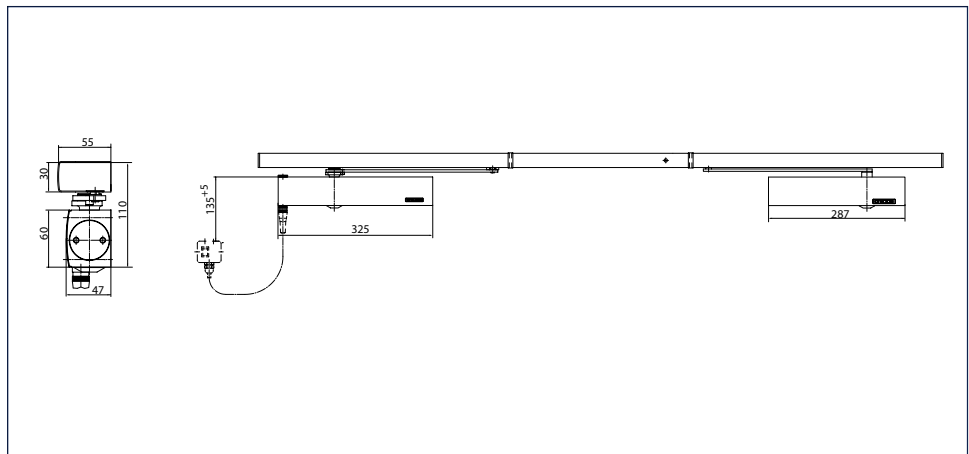
In the case of the system solution GEZE TS 5000 R-ISM-EFS for 2-leaf doors, the „freeswing“ function is realised using the R-ISM-EFS guide rail and the TS 5000 E-HY door closer (with integrated hydraulic hold-open device) on the active leaf. The door must be opened once, for example in the morning, to approximately 90°. The fixed leaf closes automatically due to the overhead TS 5000 door closer. The integrated mechanical closing sequence control is carried out by the R-ISM guide rail. The GEZE system solution is made up of an overhead door closer TS 5000 E-HY size 2-5 in accordance with EN 1154 on the active leaf and a TS 5000 size 2-6 in accordance with EN 1154 on the fixed leaf, combined with an R-ISM-EFS guide rail with integrated mechanical closing sequence control tested in accordance with EN 1158 and a smoke switch control unit integrated in the guide rail with adaption of the alarm threshold, soiling indicator and test button. The hold-open system has a certificate of general building approval.

Note: According to the DIBt guidelines for hold-open systems, the use of an interruption button for freeswing door closers is compulsory in Germany.

### GEZE TS 5000 R-ISM-EFS



### GEZE TS 5000 R-ISM-EFS



### Application range

- For 2-leaf doors, leaf width up to 1250 mm
- Min. hinge clearance = 1500 mm, max. hinge clearance = 2500 mm
- Symmetrical and asymmetrical division of door possible, minimum width of the fixed leaf = 400 mm, maximum door width of the active leaf = 1250 mm
- For fire protection doors (door closer with mounting plate)
- Can be used for doors mounted on the right or left without conversion

**Closer technical data**

Product features	GEZE TS 5000 closer	GEZE TS 5000 E-HY closer
Closing force in accordance with EN 1154	2 - 6	2 - 5
Recommended leaf width up to	1400 mm	1250 mm
Same version for left and right-hand doors	•	•
Supply voltage		24 V DC
Product tested in accordance with	Door closer tested in accordance with EN 1154	Door closer tested in accordance with EN 1154 Hold-open mechanism tested in accordance with EN 1155
Fire protection door suitability	•	•
Mounting plate with hole pattern in accordance with EN1154 supplement	•	•
Length	287 mm	325 mm
Overall depth	47 mm	46 mm
Height	60 mm	

**Functions**

Adjustable closing force	Yes, stepless	
Adjustable closing speed	•	•
Adjustable latching action	Yes, via valve	
Integrated back check	Yes, hydraulically adjustable	No
Position of closing force adjustment	Front	
Visual display of the closing force	•	•
Safety valve against wilful damage	•	•
Thermo-control valves	•	•

- = YES
- = OPTIONAL

**Guide rail technical data**

Product features	R-ISM-EFS-guide rail TS 5000
Minimum hinge clearance	1500 mm
Minimum fixed leaf width	400 mm
Supply voltage	230 V 50 Hz
Duty rating	100 %
Enclosure rating	IP 20
Ambient temperature	0 - 50 °C
Product tested in accordance with	Door closing sequence selector tested in accordance with EN 1158 General building approval from DIBt as a hold-open system
Length	2440 mm
Overall depth	55 mm
Height	30 mm

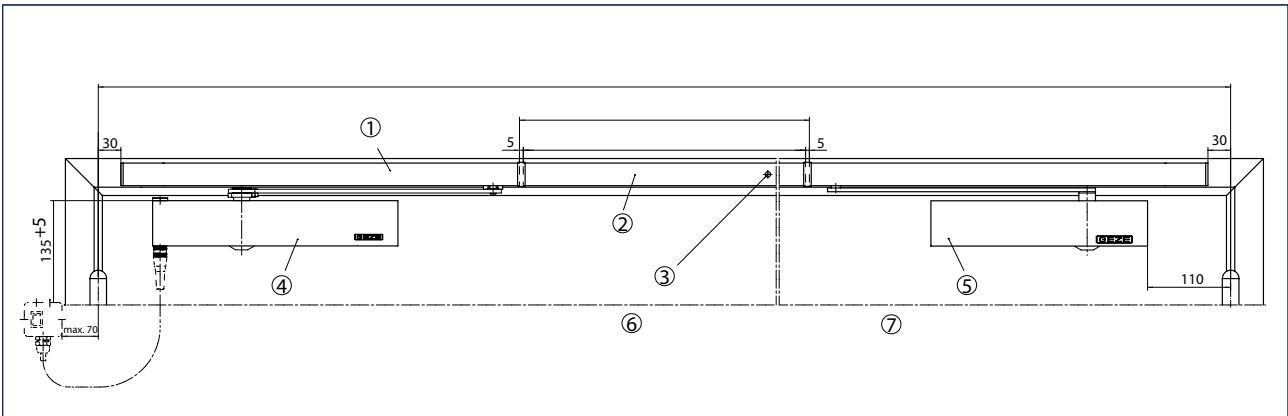
**Functions**

Freeswing function	•
Freeswing area	85 - 170 °
Freeswing function on active leaf	•
Integrated closing sequence control	•
Integrated smoke switch	•
with visual operating state display	•
with clogging indicator	•
with adaption of the alarm threshold	•
Integrated power supply	•
Height correction possible	•
Flexible opening restrictor	◦

- = YES
- = OPTIONAL

**Door leaf installation/hinge side TS 5000 R-ISM-EFS**

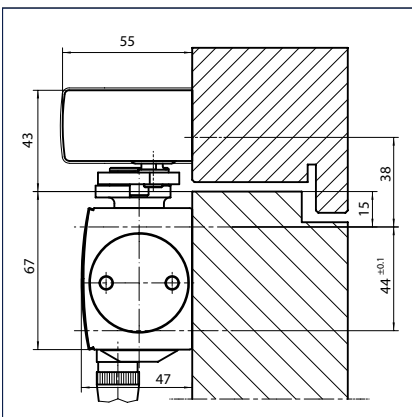
View



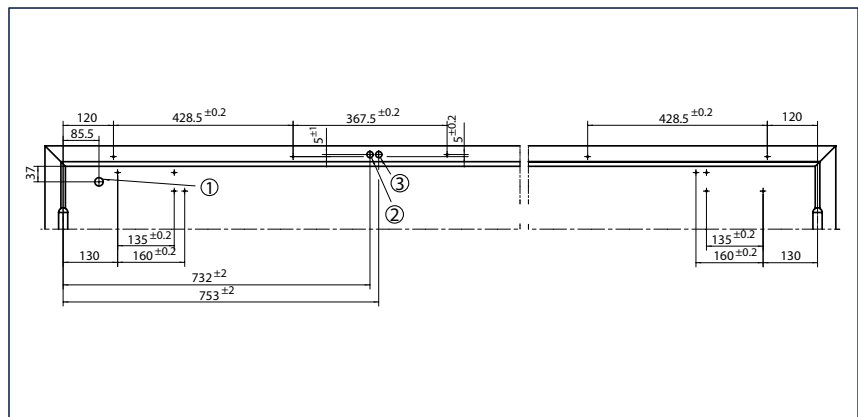
Example for installation of the system GEZE TS 5000 R-ISM-EFS with mounting plate on a 2-leaf wooden door

- 1 = R-ISM-EFS guide rail
- 2 = Middle section may be cut to size
- 3 = Smoke switch control unit
- 4 = TS 5000 E-HY
- 5 = TS 5000
- 6 = Active leaf
- 7 = Fixed leaf

**Direct installation**

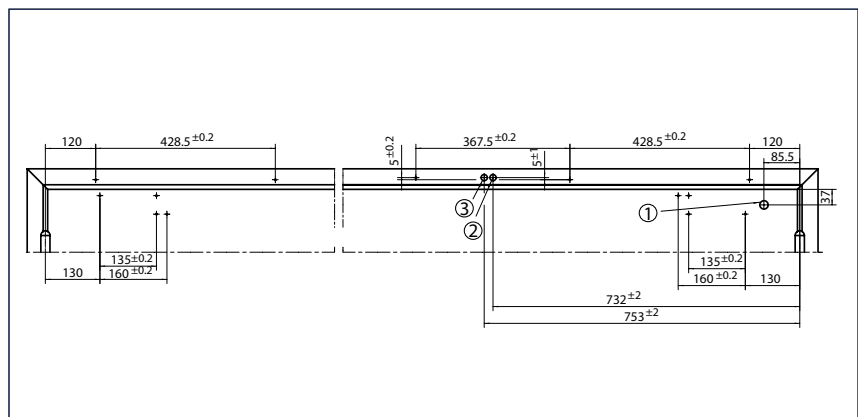


Cross-section = Direct installation



Fitting dimensions left-hand leaf = active leaf, right-hand leaf = fixed leaf

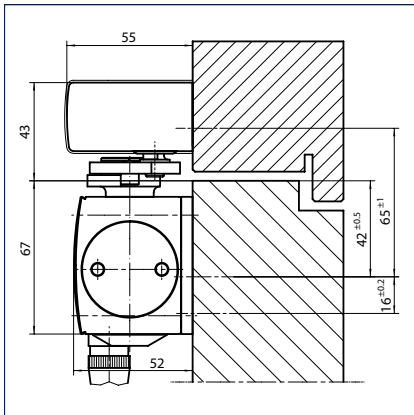
- 1 =  $\varnothing$  15 with concealed line-feed 24 V
- 2 =  $\varnothing$  15 230 V AC
- 3 =  $\varnothing$  15 line-feed TS 5000 E-HY 24 V



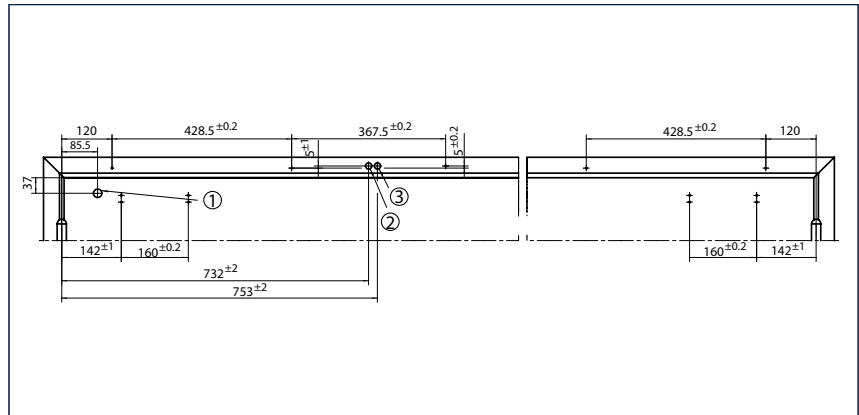
Fitting dimensions right-hand leaf = active leaf, left-hand leaf = fixed leaf

- 1 =  $\varnothing$  15 with concealed line-feed 24 V
- 2 =  $\varnothing$  15 230 V AC
- 3 =  $\varnothing$  15 line-feed TS 5000 E-HY 24 V

Installation with mounting plate

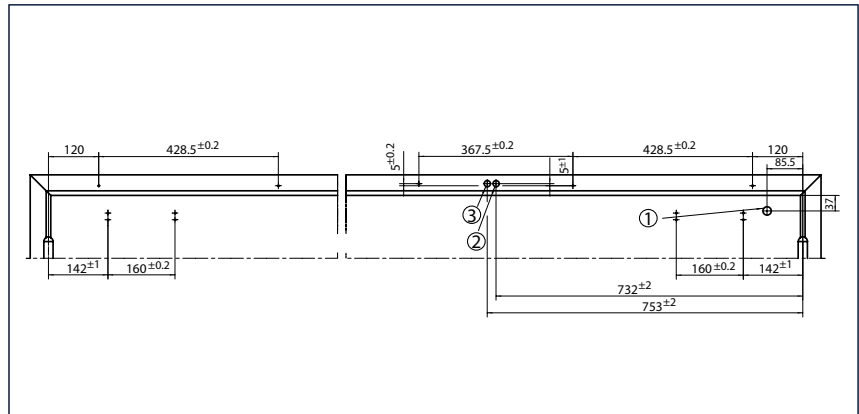


Cross-section = Installation with mounting plate



Fitting dimensions left-hand leaf = active leaf, right-hand leaf = fixed leaf

- 1 =  $\varnothing$  15 with concealed line-feed 24 V
- 2 =  $\varnothing$  15 230 V AC
- 3 =  $\varnothing$  15 line-feed TS 5000 E-HY 24 V



Fitting dimensions right-hand leaf = active leaf, left-hand leaf = fixed leaf

- 1 =  $\varnothing$  15 with concealed line-feed 24 V
- 2 =  $\varnothing$  15 230 V AC
- 3 =  $\varnothing$  15 line-feed TS 5000 E-HY 24 V

**GEZE TS 5000 R-ISM-EFS - Order information**

Description	Version	ID.No.
GEZE TS 5000 closer Size EN 2-6, with back check (without guide rail and lever)	silver-coloured	027333
	dark bronze	027334
	white RAL 9016	027335
	stainless steel slide plate	137721
	acc. to RAL <sup>1)</sup>	027336
GEZE TS 5000 E-HY closer Size EN 2-5, door leaf installation on the hinge side, with electric hold-open device for freeswing function (without guide rail and lever)	silver-coloured	121389
	acc. to RAL <sup>1)</sup>	099129
R-ISM-EFS-guide rail TS 5000 continuous, with integrated closing sequence control, smoke switch control unit, freeswing lever on the active leaf, normal lever on the fixed leaf	silver-coloured	121453
	acc. to RAL <sup>1)</sup>	121455
<b>Installation materials</b>		
Guide rail mounting plate for R-ISM guide rail	silver-coloured	118690
	acc. to RAL <sup>1)</sup>	118701
Mounting plate door closer for TS 5000 EFS/RFS/E-HY/TS 4000 E with hole pattern in accordance with DIN EN 1154 Supplement 1	silver-coloured	059107
	acc. to RAL <sup>1)</sup>	100044
Mounting plate door closer for TS 5000/TS 4000 with hole pattern in accordance with DIN EN 1154 Supplement 1	silver-coloured	049185
	dark bronze	052351
	white RAL 9016	068627
	galvanised	057956
	acc. to RAL <sup>1)</sup>	029176
<b>Accessories</b>		
GEZE flexible opening restrictor for guide rail 1-leaf: TS 5000 E/R/RFS (leaf installation), Boxer E; 2-leaf: all E/R-ISM variants TS 5000 and Boxer		145311
GEZE smoke detector GC 152 Complete with base, 24 V DC, 20 mA, tested in accordance with EN54-7, with general approval for use with all GEZE hold-open systems, integrated line monitoring, conform with DIN EN 14637	white	139850
GEZE thermal detector GC 153 Complete with base, 24 V DC, 20 mA, tested in accordance with EN54-5, with general approval for use with all GEZE hold-open systems, integrated line monitoring, conform with DIN EN 14637	white	139881
GEZE manual trigger switch Flush-mounted version, for manual release of electrically controllable door hold-open mechanisms including terminating resistance for line monitoring	alpine white	116266
Surface-mounted box, single suitable for the AS 500 switch range		120503
GEZE manual trigger switch with glass cover and 5 interchangeable letterings Flush-mounted version, for manual release of electrically controllable door hold-open mechanisms including terminating resistance for line monitoring	alpine white	120880
Replacement glass cover for GEZE manual trigger switch 120880 and 120881		010994
GEZE carry bar CB flex for use on all 2-leaf rebated doors. Stepless, concealed length adjustment up to 210 mm leaf projection, hinged mechanism not visible, profile can be shortened if required, with attachment material	silver-coloured	153602
	acc. to RAL	153728

<sup>1)</sup> Surcharge for RAL special colours, see General Information in the Price List.

## GEZE T-Stop guide rail

### Opening restrictor for doors

The GEZE T-Stop guide rail allows doors to be fitted without any door stops getting in the way.\* The entrance looks nicer because the “tripping hazards” and dirt traps caused by door buffers fitted to the floor are a thing of the past. This means the danger of crushing between the door leaf and the floor buffer e.g. in nurseries or schools has been banished.

The T-Stop guide rail has been designed for the overhead door closers GEZE TS 5000, TS 5000 L and TS 3000 V. The GEZE T-Stop guide rail has been made of specially reinforced aluminium profile with an integrated limiting mechanism. The limit position can be stepless set, the rail is installed using the same hole pattern as for the standard guide rail. Retrofitting to door closers already in use is no problem at all – all you have to do is replace the guide rail and the lever. In the case of heavy doors and doors under wind load, the possibilities must be clarified in advance. The T-Stop guide rail can also be fitted with a mechanical latching device as an option, making the doors easy to fix in an open position.

A supported GEZE pivot bearing can also be used in place of the door closer. The opening angle of the door is restricted by the T-Stop guide rail. The self-closing characteristic no longer applies in this case.

\*An additional door stopper must be used in certain cases (see diagram)

### T-Stop guide rail TS 5000/TS 3000



#### Application range

- For doors mounted on the right or left for leaf installation on the hinge and opposite hinge side (no transom installation possible!)

### GEZE T-Stop guide rail with pivot bearing

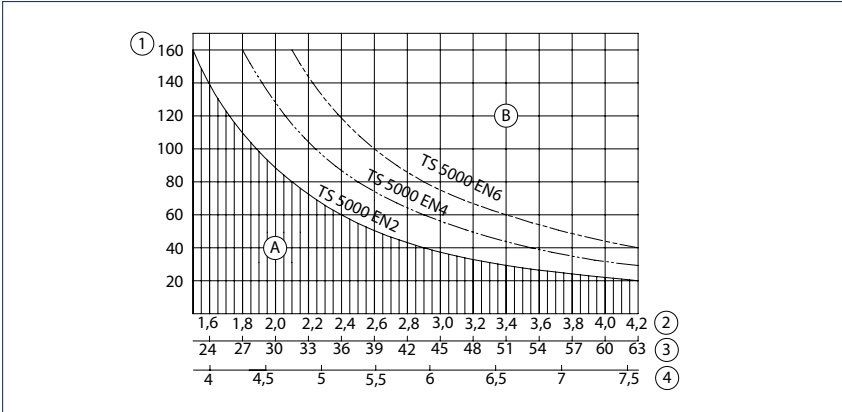


#### Application range

- Opening restrictor for single-action doors without door closer
- Can be used for doors mounted on the right or left without conversion
- See mounting installations for further details concerning the use



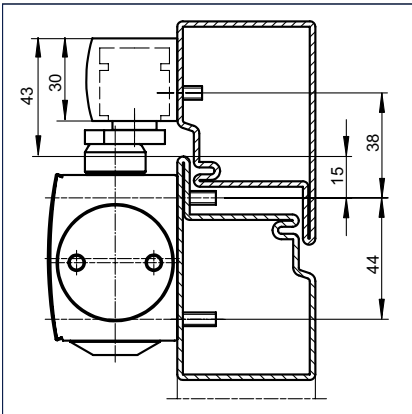
When does a door stopper have to be used?



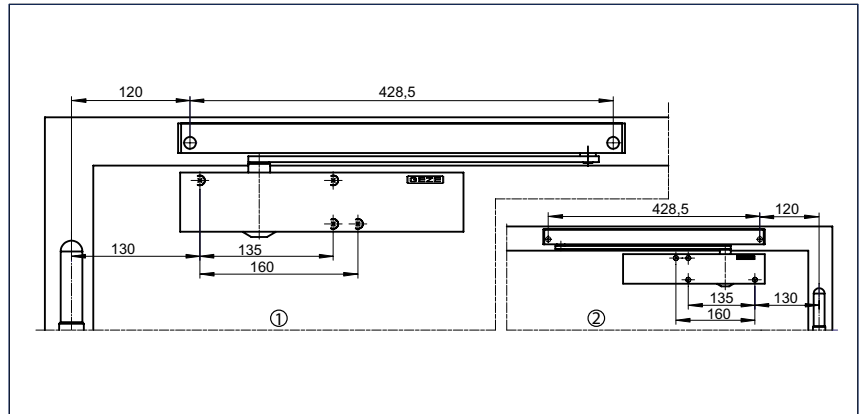
Door dimensions: 1.00 x 2.20 m

- 1 = Door weight kg
- 2 = Opening speed (m/s)
- 3 = Wind speed (km/h)
- 4 = Wind force (Bft)
- A = Installation without door stopper
- B = Installation with door stopper

**TS 5000 direct installation door leaf installation/hinge side with T-Stop guide rail**

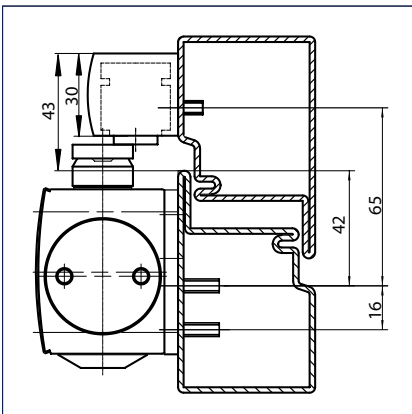


Cross-section = Direct installation

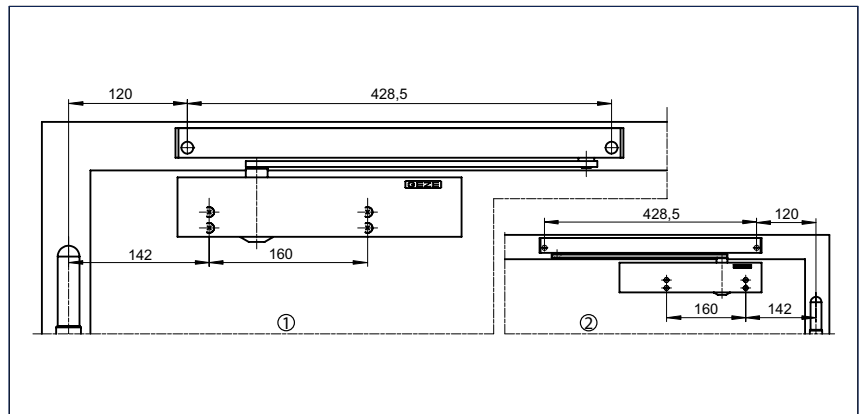


- 1 = Fitting dimensions DIN left
- 2 = DIN right

**TS 5000 installation with mounting plate door leaf installation/hinge side with T-Stop guide rail**

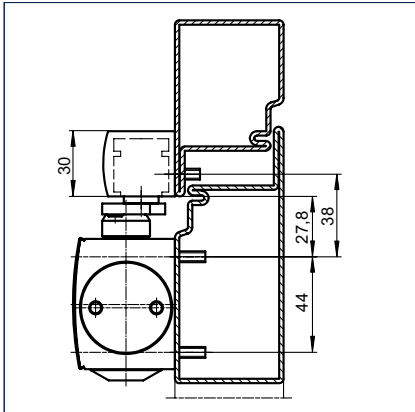


Cross-section = Installation with mounting plate

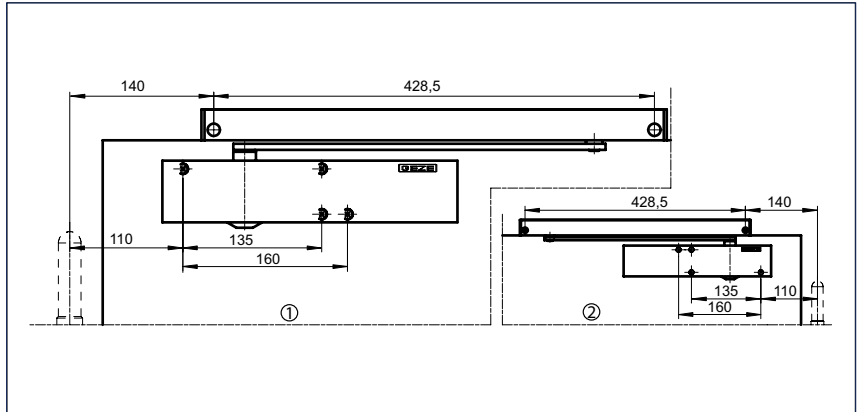


- 1 = Fitting dimensions DIN left
- 2 = DIN right

**TS 5000 L direct installation door leaf installation/opposite hinge side with T-Stop guide rail BG**

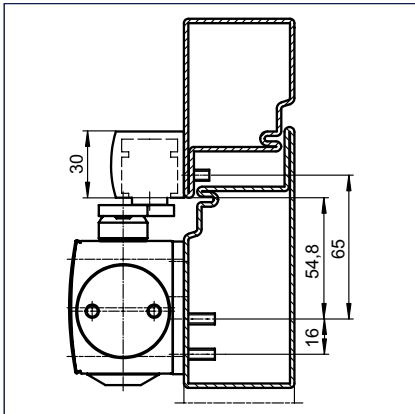


Cross-section = Direct installation

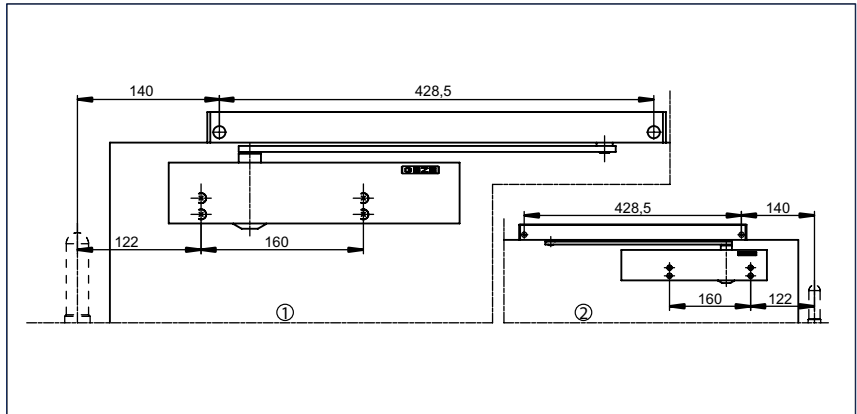


- 1 = Fitting dimensions DIN right
- 2 = DIN left

**TS 5000 L installation with mounting plate door leaf installation/opposite hinge side with T-Stop guide rail BG**

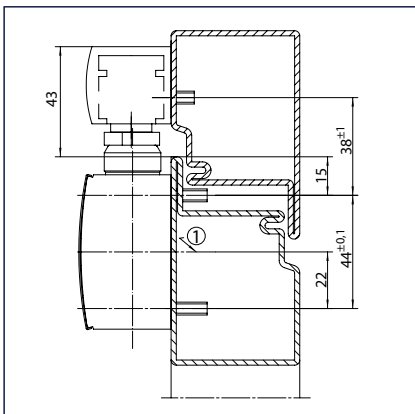


Cross-section = Installation with mounting plate



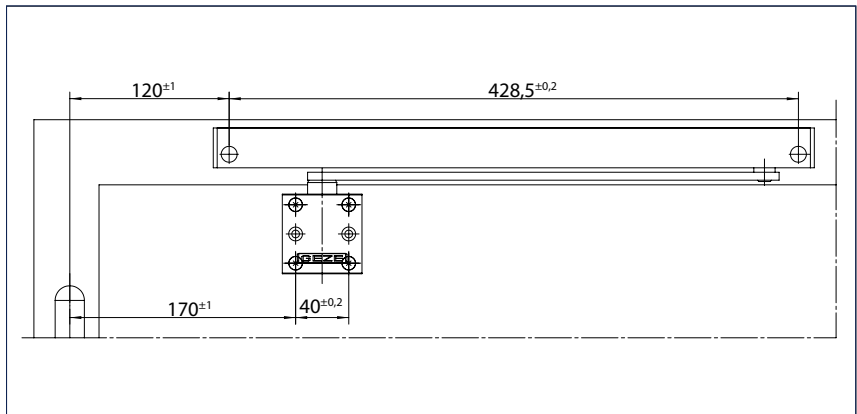
- 1 = Fitting dimensions DIN right
- 2 = DIN left

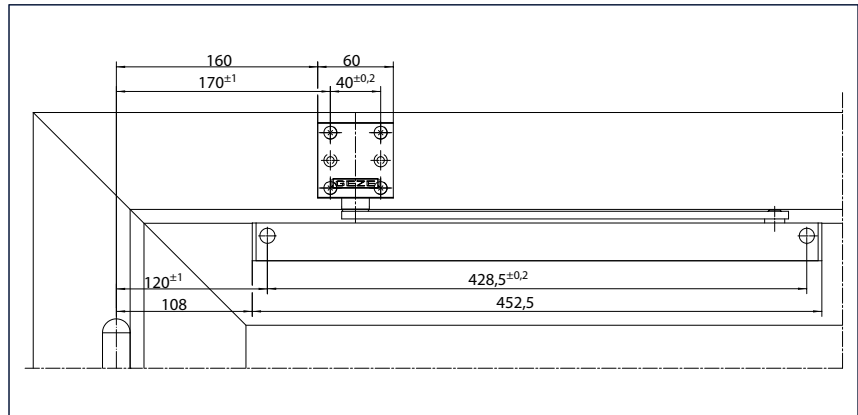
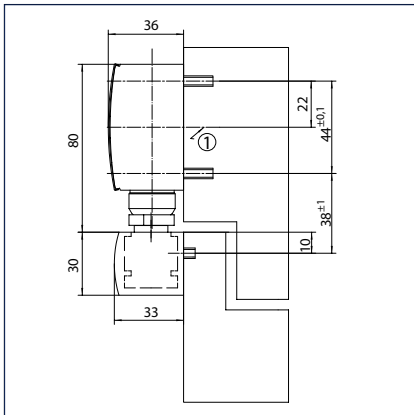
**Door leaf installation/hinge side T-Stop guide rail with pivot bearing**



Cross-section = Direct installation

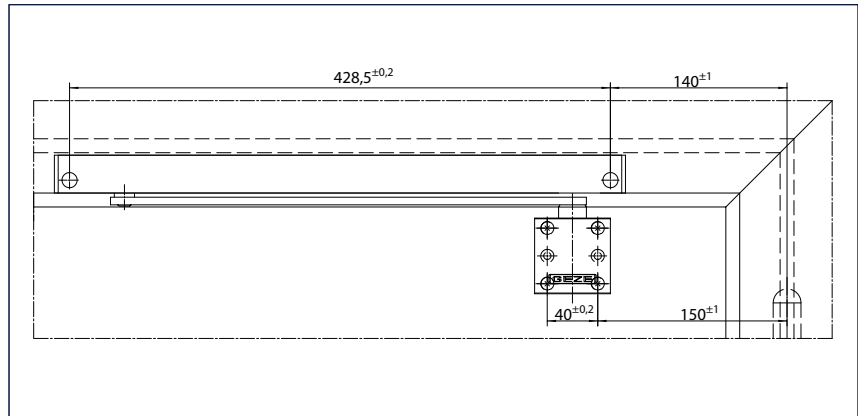
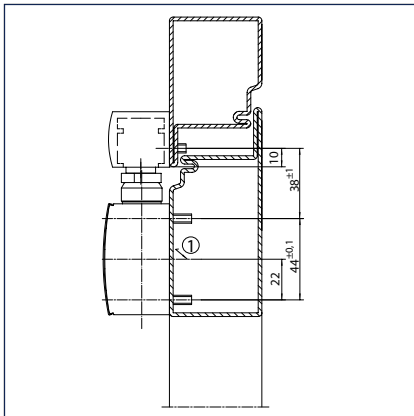
- 1 = optionally



**Transom installation/hinge side T-Stop guide rail with pivot bearing**

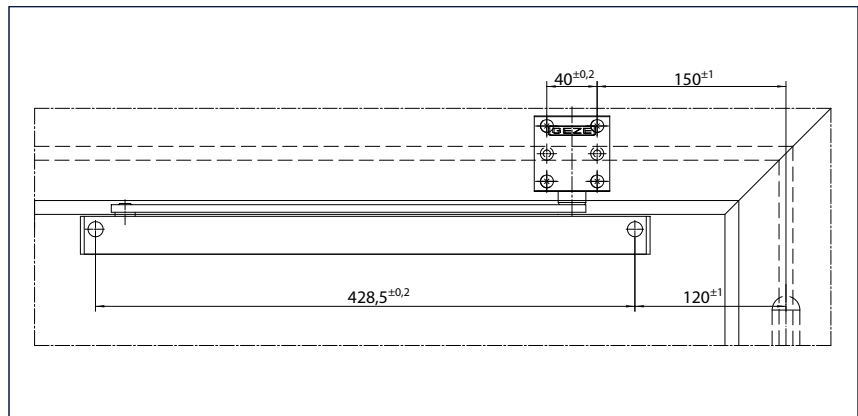
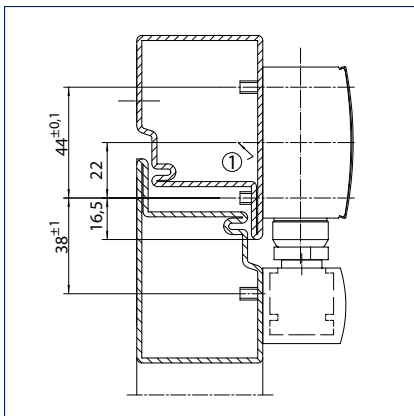
Cross-section = Direct installation

1 = optionally

**Door leaf installation/opposite hinge side T-Stop guide rail BG with pivot bearing**

Cross-section = Direct installation

1 = optionally

**Transom installation/opposite hinge side T-Stop guide rail BG with pivot bearing**

Cross-section = Direct installation

1 = optionally

**GEZE T-Stop guide rail with pivot bearing - Order information**

Description	Version	ID.No.
T-Stop guide rail TS 5000/TS 3000 with integrated opening restrictor and lever	silver-coloured	102363
	white RAL 9016	108481
	simulated stainless steel <sup>1)</sup>	102364
	acc. to RAL <sup>2)</sup>	102365
T-Stop guide rail BG TS 5000/TS 3000 with integrated opening restrictor and lever, use with closer on leaf installation on the opposite hinge side or with pivot bearing in leaf and transom installation opposite hinge side	silver-coloured	102366
	white RAL 9016	108482
	simulated stainless steel <sup>1)</sup>	102367
	acc. to RAL <sup>2)</sup>	102368
Pivot bearing for T-Stop guide rail fitting from top	silver-coloured	112688
	white RAL 9016	112689
	acc. to RAL <sup>2)</sup>	112690
<b>Installation materials</b>		
Mounting plate guide rail BG for standard / ECLine / T-Stop / EFS guide rail	silver-coloured	124683
	acc. to RAL <sup>2)</sup>	124684
Guide rail mounting plate for standard / ECLine / T-Stop / EFS guide rail	silver-coloured	001512
	white RAL 9016	129252
	acc. to RAL	104515
Lintel casing bracket guide rail BG for ECLine and T-Stop guide rail	silver-coloured	115006
	acc. to RAL	115007

<sup>1)</sup> Only for dry rooms

<sup>2)</sup> Surcharge for RAL special colours, see General Information in the Price List.



TS 5000 with T-Stop guide rail, Verwaltung Katholische Kirche, Stuttgart, Germany (Photo: Dirk Wilhelmy)

## GEZE smoke switch control unit RSZ 6

### Smoke switch and power supply for all GEZE hold-open mechanisms

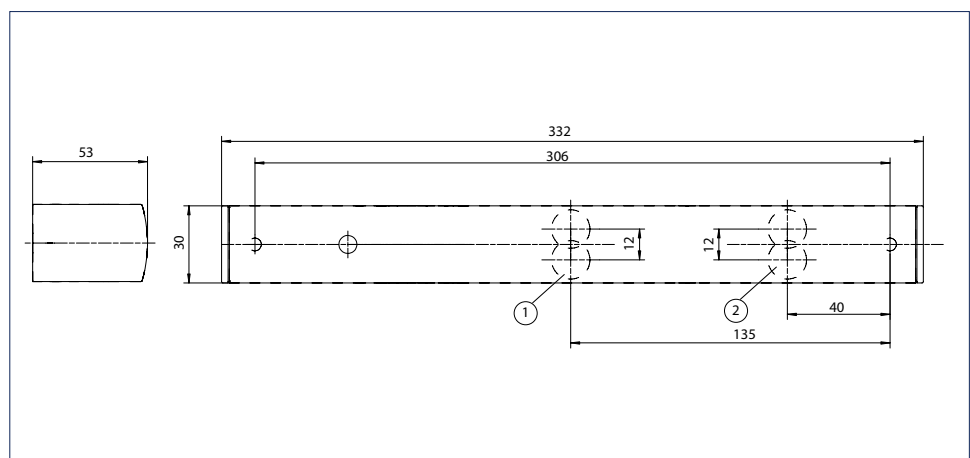
The GEZE smoke switch control unit RSZ 6 in the typical GEZE design has an overall height of 30 mm. It is connected to the 230 V power supply system and supplies the connected hold-open mechanisms reliably with 24 V DC voltage (max. 200 mA).

The smoke switch control unit is mounted on the vertical wall above the door opening, thus making the early detection of fire and smoke possible (please keep at least 20 mm clear of the ceiling). If an alarm is triggered, the voltage supply to the hold-open mechanisms (e.g. electrical hold-open device in the guide rail or holding magnet) is interrupted and the doors close immediately. The connection of two additional ceiling-mounted alarms may be necessary depending on requirements. The integrated smoke switch has an automatic adaptation of the alarm threshold. This compensates light soiling of the smoke chamber and increases service life. The current state of the smoke switch is shown by an optical signal.

### GEZE smoke switch control unit RSZ 6



### GEZE smoke switch control unit RSZ 6



- 1 = Additional connections  
2 = Power supply UP 230 V AC

### Application range

- Approved for use with all GEZE hold-open mechanisms

**GEZE smoke switch control unit RSZ 6 - Order information**

Description	Version	ID.No.
GEZE smoke switch control unit RSZ 6 Smoke switch and power supply for all GEZE hold-open mechanisms	silver-coloured	099851
	dark bronze	099857
	white RAL 9016	099858
	simulated stainless steel <sup>1)</sup>	099856
	acc. to RAL <sup>2)</sup>	099859
<b>Accessories</b>		
GEZE smoke detector GC 152 Complete with base, 24 V DC, 20 mA, tested in accordance with EN54-7, with general approval for use with all GEZE hold-open systems, integrated line monitoring, conform with DIN EN 14637	white	139850
GEZE thermal detector GC 153 Complete with base, 24 V DC, 20 mA, tested in accordance with EN54-5, with general approval for use with all GEZE hold-open systems, integrated line monitoring, conform with DIN EN 14637	white	139881
GEZE manual trigger switch Flush-mounted version, for manual release of electrically controllable door hold-open mechanisms including terminating resistance for line monitoring	alpine white	116266
Surface-mounted box, single suitable for the AS 500 switch range		120503
GEZE manual trigger switch with glass cover and 5 interchangeable letterings Flush-mounted version, for manual release of electrically controllable door hold-open mechanisms including terminating resistance for line monitoring	alpine white	120880
Replacement glass cover for GEZE manual trigger switch 120880 and 120881		010994

1) Only for dry rooms

2) Surcharge for RAL special colours, see General Information in the Price List.



Nursing Home Zamenhof, Stuttgart, Germany (Photo: Dirk Wilhelmy)

GEZE References



Dorniermuseum, Friedrichshafen, Germany (Photo: Dirk Wilhelmy)



Vector, Stuttgart, Germany  
(Photo: Dirk Wilhelmy)





BMW Welt, Munich, Germany (Photo: Robert Sprang)



Textile and Industry Museum, Augsburg, Germany (Photo: Dirk Wilhelmy)





Vocational school, Friedrichshafen, Germany (Photo: Dirk Wilhelmy)



Augustinum retirement home, Stuttgart, Germany (Photo: Dirk Wilhelmy)

You will find more product information in the relevant brochures, see ID numbers.

## Door technology

<b>01</b>	Overhead door closers ID 091593, ID 091594
<b>02</b>	Hold-open systems ID 091593, ID 091594
<b>03</b>	Integrated door closers ID 091609
<b>04</b>	Floor springs ID 091607
<b>05</b>	Sliding door gear systems and linear guides ID 123605, ID 008770, ID 000586

## Automatic door systems

<b>06</b>	Swing doors ID 144785
<b>07</b>	Sliding, telescopic and folding doors ID 143639
<b>08</b>	Circular and semi-circular sliding doors ID 135772
<b>09</b>	Revolving doors ID 132050
<b>10</b>	Actuation devices and sensors ID 142655

## Smoke and heat extraction and window technology

<b>11</b>	Fanlight opening systems ID 127787
<b>12</b>	Electric opening and locking systems ID 154851
<b>13</b>	Electrical spindle and linear drives ID 154851
<b>14</b>	Electric chain drives ID 154851
<b>15</b>	Smoke and heat extraction systems ID 154851

## Safety technology

<b>16</b>	Emergency exit systems ID 132408
<b>17</b>	Access control systems ID 132158
<b>18</b>	Panic locks ID 132848
<b>19</b>	Electric strikes ID 148666
<b>20</b>	Building management system ID 132408

## Glass systems

<b>21</b>	Manual sliding wall systems (MSW) ID 104377
<b>22</b>	Integrated all-glass systems (IGG) ID 104366
<b>23</b>	GEZE Patch fittings mono glass systems ID 122521



Overhead door closers with guide rail

TS 5000 / TS 3000 V

# POTENTIAL APPLICATIONS OF GEZE PRODUCTS



## Door technology

The functionality, superior performance and reliability of GEZE door closers are impressive. A common design across the range, the ability to use them on all common door leaf widths and weights, and the fact that they can be individually adjusted makes their selection simple. They are continually being improved and enhanced with up-to-date features. For example, the requirements of fire protection and accessibility are fulfilled with a door closer system.

## Automatic door systems

GEZE automatic door systems open up a huge variety of options in door design. The latest, innovative high-performance drive technology, safety, ease of accessibility and first class universal drive design set them apart. GEZE offers complete solutions for individual requirements. A dedicated division is responsible for the development and construction of individual special designs.

## Smoke and heat extraction and window technology

GEZE smoke and heat extraction systems and ventilation technology provide complete systems solutions combining the many requirements of different types of windows. We supply a full range from energy efficient drive systems to natural ventilation and complete solutions for supplying and extracting air, also as certified SHEVs.

## Safety technology

GEZE safety technology sets the standards where preventative fire protection, access control and anti-theft security in emergency exits are concerned. For each of these objectives GEZE offers tailored solutions, which combine the individual safety requirements in one intelligent system and close doors and windows in case of danger in a coordinated manner.

## Building systems

In GEZE's Building Management System GEZE door, window and safety products can be integrated in to the security and control systems of the building. A central control and visualisation system monitors various automation components in the building and offers security through many different networking capabilities.

## Glass systems

GEZE glass systems stand for open and transparent interior design. They can either blend discreetly into the architecture of the building or stand out as an accentuated feature. GEZE offers a wide variety of technologies for functional, reliable and aesthetic sliding wall or sliding door systems providing security with lots of design scope.

**GEZE GmbH**  
**P.O. Box 1363**  
**71226 Leonberg**  
**Germany**

**GEZE GmbH**  
**Reinhold-Vöster-Straße 21-29**  
**71229 Leonberg**  
**Germany**  
**Telefon +49 7152 203 0**  
**Telefax +49 7152 203 310**  
**www.geze.com**

**Germany**  
 GEZE Sonderkonstruktionen GmbH  
 Planken 1  
 97944 Boxberg-Schweigern  
 Tel. +49 7930 9294 0  
 Fax +49 7930 9294 10  
 sk.de@geze.com

**Germany**  
 GEZE GmbH  
 Niederlassung Süd-West  
 Breitwiesenstraße 8  
 71229 Leonberg  
 Tel. +49 7152 203 594  
 Fax +49 7152 203 438  
 leonberg.de@geze.com

**Germany**  
 GEZE GmbH  
 Niederlassung Süd-Ost  
 Parkring 17  
 85748 Garching bei München  
 Tel. +49 7152 203 6440  
 Fax +49 7152 203 77050  
 muenchen.de@geze.com

**Germany**  
 GEZE GmbH  
 Niederlassung Ost  
 Bühringstraße 8  
 13086 Berlin (Weißensee)  
 Tel. +49 7152 203 6840  
 Fax +49 7152 203 76849  
 berlin.de@geze.com

**Germany**  
 GEZE GmbH  
 Niederlassung Mitte/Luxemburg  
 Adenauerallee 2  
 61440 Oberursel (b. Frankfurt)  
 Tel. +49 7152 203 6888  
 Fax +49 7152 203 6891  
 frankfurt.de@geze.com

**Germany**  
 GEZE GmbH  
 Niederlassung West  
 Heltorfer Straße 12  
 40472 Düsseldorf  
 Tel. +49 7152 203 6770  
 Fax +49 7152 203 76770  
 duesseldorf.de@geze.com

**Germany**  
 GEZE GmbH  
 Niederlassung Nord  
 Haus 11, 1. OG - Theodorstr. 42-90  
 22761 Hamburg-Bahrenfeld  
 Tel. +49 7152 203 6600  
 Fax +49 7152 203 76608  
 hamburg.de@geze.com

**Germany**  
 GEZE Service GmbH  
 Niederlassung Süd-West  
 Reinhold-Vöster-Straße 25  
 71229 Leonberg  
 Tel. +49 1802 923392  
 Fax +49 7152 9233 359  
 service-leonberg.de@geze.com

**Germany**  
 GEZE Service GmbH  
 Niederlassung Süd  
 Parkring 17  
 85748 Garching bei München  
 Tel. +49 1802 923392  
 Fax +49 7152 9233 859  
 service-muenchen.de@geze.com

**Germany**  
 GEZE Service GmbH  
 Niederlassung Mitte  
 Oberurseler Str. 69  
 61440 Oberursel  
 Tel. +49 1802 923392  
 Fax +49 7152 9233 659  
 service-oberursel.de@geze.com

**Germany**  
 GEZE Service GmbH  
 Niederlassung West  
 Heltorfer Straße 12  
 40472 Düsseldorf  
 Tel. +49 1802 923392  
 Fax +49 7152 9233 559  
 service-duesseldorf.de@geze.com

**Germany**  
 GEZE Service GmbH  
 Niederlassung Nord-Ost  
 Bühringstraße 8  
 13086 Berlin (Weißensee)  
 Tel. +49 1802 923392  
 Fax +49 7152 9233 759  
 service-berlin.de@geze.com

**Germany**  
 GEZE Service GmbH  
 Niederlassung Nord  
 Theodorstr. 42-90, Haus 11  
 22761 Hamburg  
 Tel. +49 1802 923392  
 Fax +49 7152 9233 459  
 service-hamburg.de@geze.com

**Austria**  
 GEZE Austria  
 Wiener Bundesstrasse 85  
 A-5300 Hallwang  
 Tel: +43 6225 87180  
 Fax: +43 6225 87180 299  
 austria.at@geze.com

**Baltic States**  
 GEZE GmbH Baltic States office  
 Dzelzavas iela 120 5  
 1021 Riga  
 Tel. +371 678960 35  
 Fax +371 678960 36  
 office-latvia@geze.com

**Benelux**  
 GEZE Benelux B.V.  
 Industrieterrein Kapelbeemd  
 Steenoven 36  
 5626 DK Eindhoven  
 Tel. +31 4026290 80  
 Fax +31 4026290 85  
 benelux.nl@geze.com

**Bulgaria**  
 GEZE Bulgaria - Trade  
 Representative Office  
 Nickolay Haitov 34 str., fl. 1  
 1172 Sofia  
 Tel. +359 247043 73  
 Fax +359 247062 62  
 office-bulgaria@geze.com

**China**  
 GEZE Industries (Tianjin) Co., Ltd.  
 Shuangchenzhong Road  
 Beichen Economic Development  
 Area (BEDA)  
 Tianjin 300400, P.R. China  
 Tel. +86 2226973995 0  
 Fax +86 22269727 02  
 chinasales@geze.com.cn

**China**  
 GEZE Industries (Tianjin) Co., Ltd.  
 Branch Office Shanghai  
 11D, Building 2, Youyou Century  
 Plaza  
 No. 428, South Yanggao Road  
 200127 Pudong, Shanghai, P.R. China  
 Tel. +86 21 52340960  
 Fax +86 21 64472007  
 chinasales@geze.com.cn

**China**  
 GEZE Industries (Tianjin) Co., Ltd.  
 Branch Office Guangzhou  
 Room 17C3  
 Everbright Bank Building, No.689  
 Tian He Bei Road  
 510630 Guangzhou, P.R. China  
 Tel. +86 20387318 42  
 Fax +86 20387318 34  
 chinasales@geze.com.cn

**China**  
 GEZE Industries (Tianjin) Co., Ltd  
 Branch Office Beijing  
 Room 1001, Tower D  
 Sanlitun SOHO  
 No. 8, Gongti North Road,  
 Chaoyang District  
 100027 Beijing, P.R.China  
 Tel. +86 10593593 00  
 Fax +86 10593593 22  
 chinasales@geze.com.cn

**France**  
 GEZE France S.A.R.L.  
 ZAC de l'Orme Rond  
 RN 19  
 77170 Servon  
 Tel. +33 1 606260 70  
 Fax +33 1 606260 71  
 france.fr@geze.com

**Hungary**  
 GEZE Hungary Kft.  
 Hungary-2051 Biatorbágy  
 Vendel Park  
 Huber u. 1.  
 Tel. +36 23532 735  
 Fax +36 23532 738  
 office-hungary@geze.com

**Iberia**  
 GEZE Iberia S.R.L.  
 C/ Andorra 24  
 08830 Sant Boi de Llobregat  
 (Barcelona)  
 Tel. +34 902194 036  
 Fax +34 902194 035  
 info@geze.es

**India**  
 GEZE India Private Ltd.  
 MF 2 & 3, Guindy Industrial Estate  
 Ekkattuthangal  
 Chennai 600 097  
 Tamilnadu  
 Tel. +91 44 306169 00  
 Fax +91 44 306169 01  
 office-india@geze.com

**Italy**  
 GEZE Italia S.r.l  
 Sede di Milano  
 Via Giotto 4  
 20040 Cambiago (MI)  
 Tel. +39 0295069 511  
 Fax +39 0295069 533  
 italia.it@geze.com

**Italy**  
 Sede di Roma  
 Via Lucrezia Romana, 91  
 00178 Roma  
 Tel. +39 06 726531 1  
 Fax +39 06 726531 36  
 roma@geze.biz

**Poland**  
 GEZE Polska Sp.z o.o.  
 ul. Annapol 21  
 03-236 Warszawa  
 Tel. +48 224 404 440  
 Fax +48 224 404 400  
 geze.pl@geze.com

**Romania**  
 GEZE Romania S.R.L.  
 IRIDE Business Park,  
 Str. Dimitrie Pompeiu nr. 9-9a,  
 Building 10, Level 2, Sector 2,  
 020335 Bucharest  
 Tel.: +40 212507 750  
 Fax: +40 212507 750  
 office-romania@geze.com

**Russia**  
 OOO GEZE RUS  
 Gamsonovskiy Per. 2  
 115191 Moskau  
 Tel. +7 495 93306 59  
 Fax +7 495 93306 74  
 office-russia@geze.com

**Scandinavia - Sweden**  
 GEZE Scandinavia AB  
 Mallslingan 10  
 Box 7060  
 18711 Täby, Sweden  
 Tel. +46 87323 400  
 Fax +46 87323 499  
 sverige.se@geze.com

**Scandinavia - Norway**  
 GEZE Scandinavia AB avd. Norge  
 Industriveien 34 B  
 2073 Dal  
 Tel. +47 63957 200  
 Fax +47 63957 173  
 norge.se@geze.com

**Scandinavia - Denmark**  
 GEZE Danmark  
 Branch office of GEZE Scandinavia AB  
 Mårkærvej 13 J-K  
 2630 Taastrup  
 Tel. +45 463233 24  
 Fax +45 463233 26  
 danmark.se@geze.com

**Singapore**  
 GEZE (Asia Pacific) Pte. Ltd.  
 21 Bukit Batok Crescent  
 #23-75 Wcega Tower  
 Singapore 658065  
 Tel: +65 6846 1338  
 Fax: +65 6846 9353  
 gezessea@geze.com.sg

**South Africa**  
 GEZE Distributors (Pty) Ltd.  
 118 Richards Drive, Halfway House,  
 Ext 111, P.O. Box 7934, Midrand 1685,  
 South Africa  
 Tel: + 27 113158 286  
 Tel. + 27 113158 261  
 info@gezesa.co.za

**Switzerland**  
 GEZE Schweiz AG  
 Zelglimatte 1A  
 6260 Reiden  
 Tel. +41 62 28554 00  
 Fax +41 62 28554 01  
 schweiz.ch@geze.com

**Turkey**  
 GEZE Kapı ve Pencere Sistemleri  
 San. ve Tic. Ltd. Sti.  
 İstanbul Anadolu Yakası Organize  
 Sanayi Bölgesi  
 Gazi Bulvarı Caddesi 8.Sokak No:8  
 Tuzla-İstanbul  
 Tel. + 90 216 45543 15  
 Fax + 90 216 45582 15  
 office-turkey@geze.com

**Ukraine**  
 LLC GEZE Ukraine  
 ul. Viskoznaya, 17,  
 Building 93-B, Office 12  
 02660 Kiev  
 Tel./Fax +38 445012225  
 office-ukraine@geze.com

**United Arab Emirates/GCC**  
 GEZE Middle East  
 P.O. Box 17903  
 Jebel Ali Free Zone  
 Dubai  
 Tel. +971 48833 112  
 Fax +971 48833 240  
 gezeme@geze.com

**United Kingdom**  
 GEZE UK Ltd.  
 Blenheim Way  
 Fradley Park  
 Lichfield  
 Staffordshire WS13 8SY  
 Tel. +44 15434430 00  
 Fax +44 15434430 01  
 info.uk@geze.com

GEZE REPRESENTATIVE