



GEZE TS 4000
OVERHEAD DOOR CLOSERS WITH LINK ARM

GEZE TS 4000

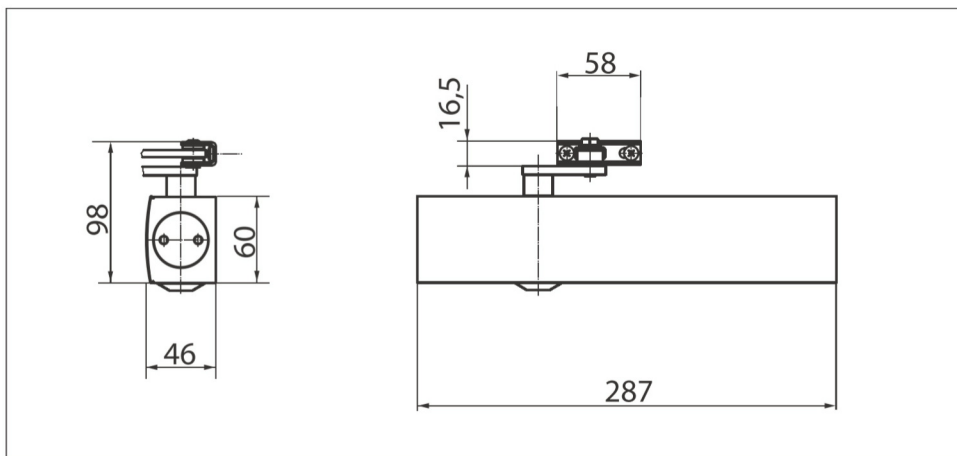
Link arm door closer for single-leaf doors with a leaf width up to 1400 mm

TS 4000 overhead door closer is approved for use with left and right single-action doors with leaf widths up to 1400 mm (without any need for conversion) and for mounting on fire and smoke doors. The closing force to EN 1154 size 1-6 is infinitely variable from the front and is easy to monitor thanks to the optical size indicator. The back check and thermo-constant closing speed are also adjustable from the front; the latching action is adjusted by means of the link arm. The closer features a safety valve for both the open and close directions.

Special versions:

- GEZE TS 4000 with hold-open linkage
Hold-open angle up to 150° (must not be used on fire and smoke doors)
- GEZE TS 4000 S
With delayed closing action of up to 30 seconds, adjustable from the front (delayed closing action not effective with transom mounting on opposite hinge side).
- GEZE TS 4000 door closer, wet room version
Same as TS 4000, but with specially nickel-plated spindle, bearing shells and stainless steel screw accessories for aggressive environments.

GEZE TS 4000



Application range

- For single-action doors, leaf width up to 1400 mm
- Compatible with left-hand and right-hand doors without the need for conversion
- For fire and smoke doors (door closers with mounting plate)
- Standard mounting on door leaf, hinge side; transom mounting on opposite hinge side also possible
- Can be installed on door leaf on opposite hinge side with parallel arm mounting

Closer specifications

Product features	GEZE TS 4000 closer	GEZE TS 4000 S closer
Closing force to EN 1154		1 - 6
Leaf width recommended up to		1400 mm
Identical version DIN-L and DIN-R	●	●
Product tested in acc. with	Door closer tested in acc. with EN 1154	
Suitable for fire and smoke doors	●	●
Mounting plate with hole pattern acc. to EN 1154 Supplement 1	●	●
Length		287 mm
Installation depth		46 mm
Height		60 mm

Functions

Adjustable closing force		● Infinitely variable
Adjustable closing speed	●	●
Adjustable latching action	● Via link arm	● Via valve
Integrated back check		● Hydraulically adjustable
Integrated delayed closing action		●
Closing force adjustment position		Front
Optical closing force display	●	●
Safety valve featuring protection against vandalism	●	●
Thermo-constant valves	●	●

● = yes

○ = no